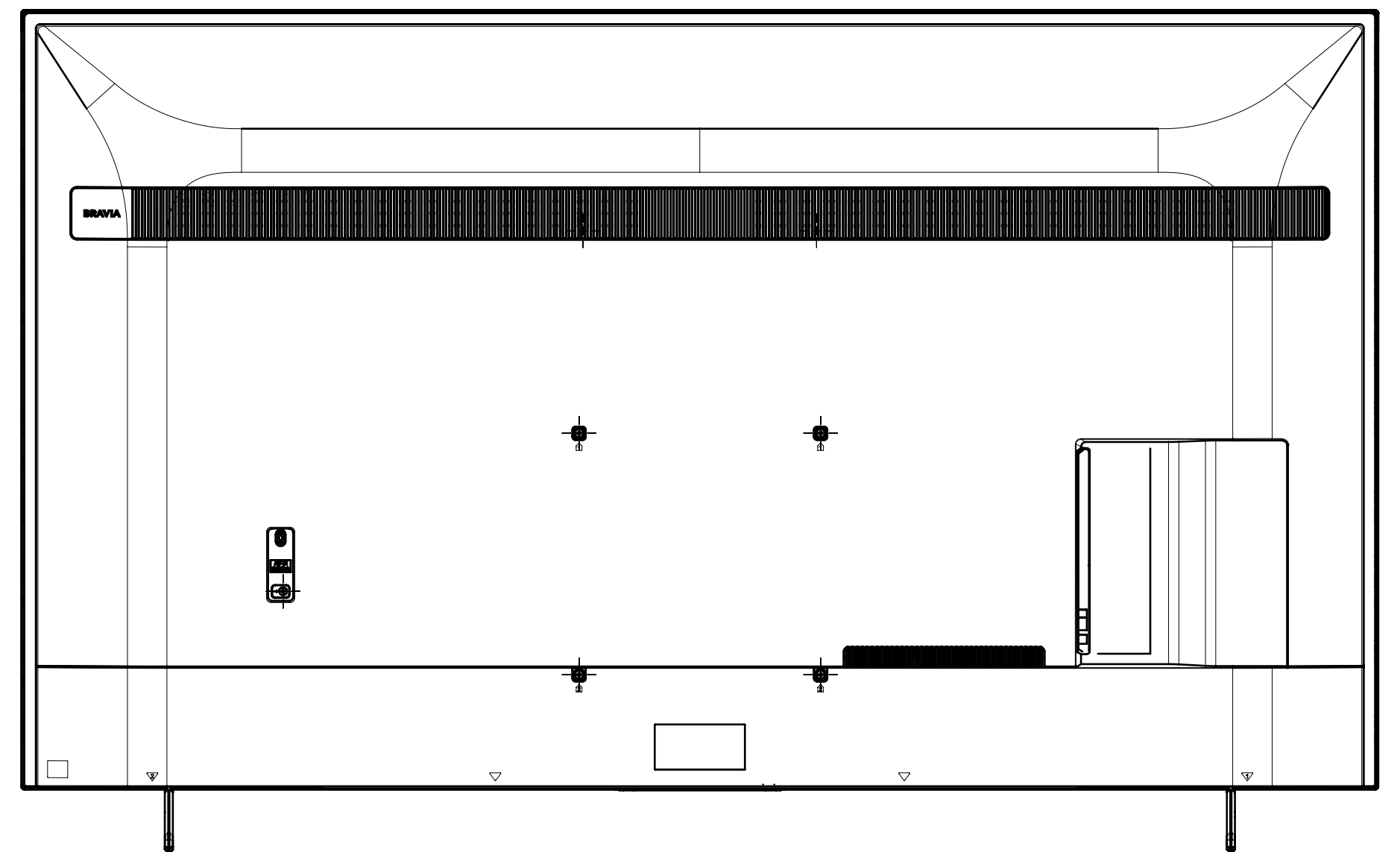
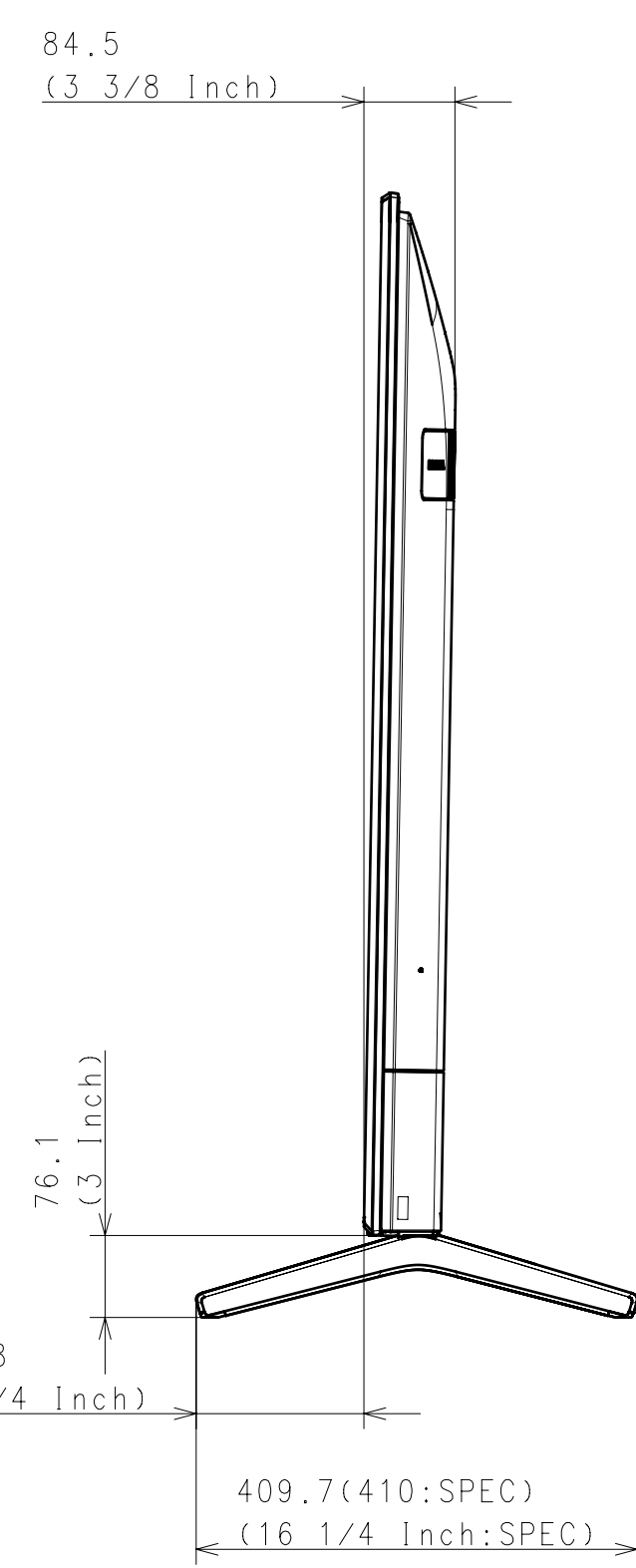
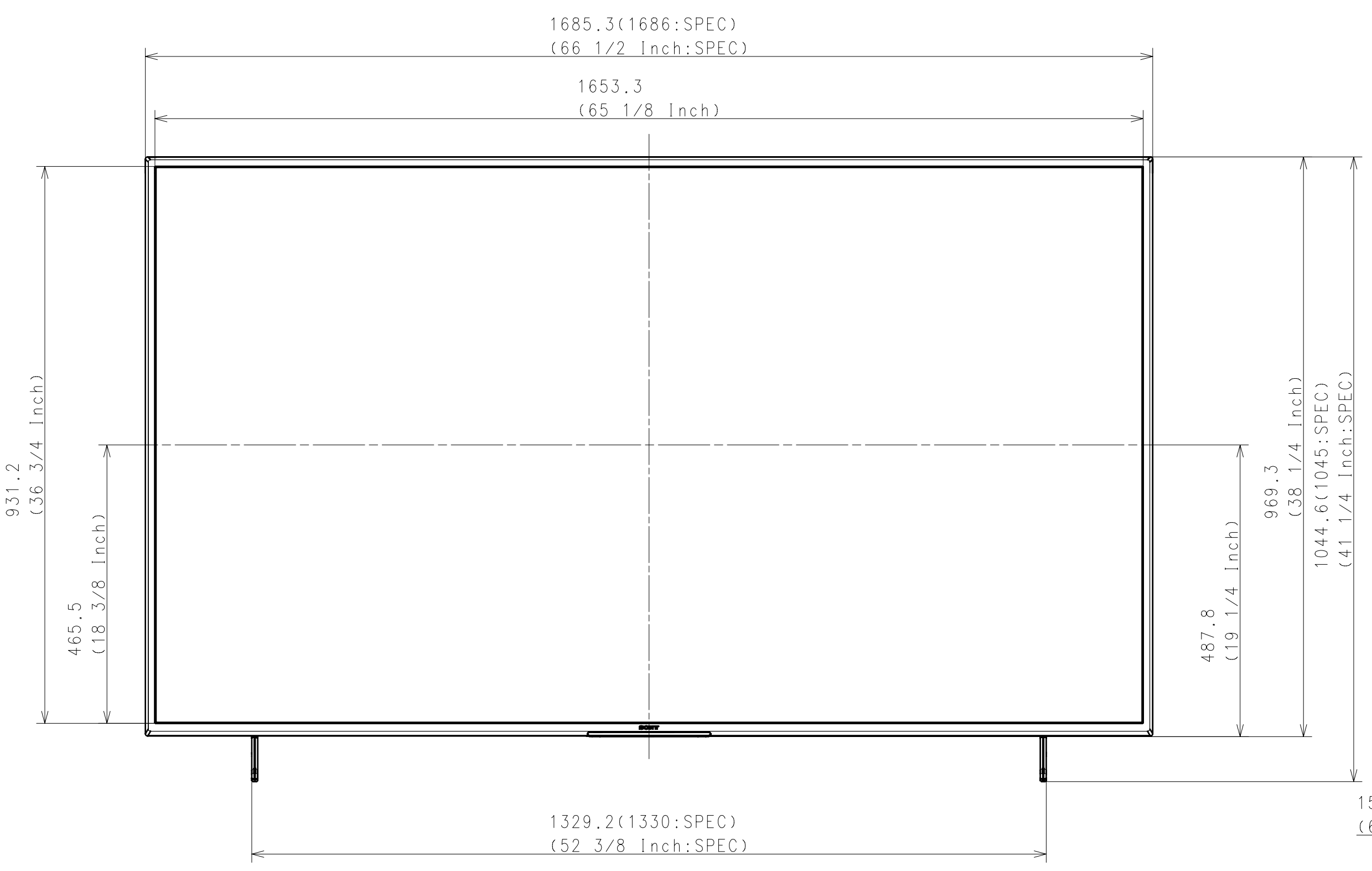
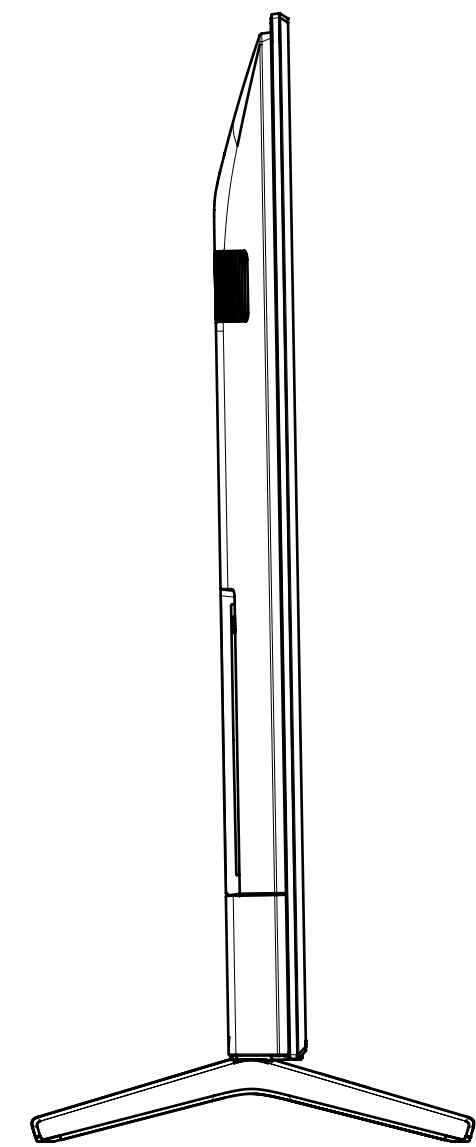
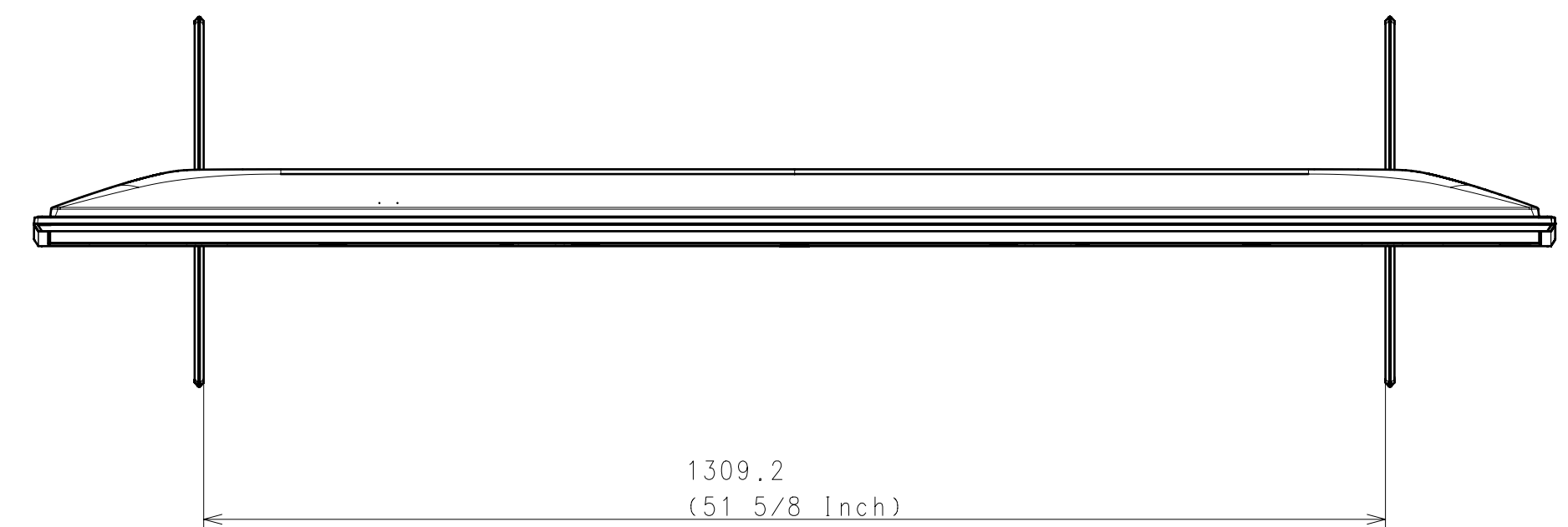


Area	JAPAN	NORTH AMERICA	EUROPE	GENERAL AREA	
Model Name	FW-75EZ20L	FW-75EZ20L	FW-75EZ20L	FW-75EZ20L	
SV No.	SV-41752	SV-41749	SV-41751	SV-41750	
DIMENSION	TV only (W x H x D)	168.6 x 96.9 x 7.2 cm	1686 x 969 x 72 mm / 66 1/2 x 38 1/4 x 2 7/8 inch	Approx. 168.6 x 96.9 x 7.2 cm	Approx. 1686 x 969 x 72 mm
	TV only with camera (W x H x D)	-	-	-	-
	TV with Stand (Standard position) (W x H x D)	-	1686 x 1045 x 410 mm / 66 1/2 x 41 1/4 x 16 1/4 inch	Approx. 168.6 x 104.5 x 41.0 cm	Approx. 1686 x 1045 x 410 mm
	TV with Stand (Narrow position) (W x H x D)	-	-	-	-
	TV with Stand (Soundbar position) (W x H x D)	-	-	-	-
	TV with Stand (Front position style) (W x H x D)	-	-	-	-
	TV with Stand (Back position style) (W x H x D)	-	-	-	-
	TV with Floor Stand (W x H x D)	-	-	-	-
	Stand Width (Standard position)	-	1330 mm / 52 3/8 inch	Approx. 133.0 cm	Approx. 1330 mm
	Stand Width (Narrow position)	-	-	-	-
	Stand Width (Soundbar position)	-	-	-	-
	Stand Width (Front position style)	-	-	-	-
	Stand Width (Back position style)	-	-	-	-
	Floor Stand Width	-	-	-	-
WEIGHT	VESA Hole Pitch	30.0 x 30.0 cm	300 x 300 mm / 11 7/8 x 11 7/8 inch	30.0 x 30.0 cm	300 x 300 mm
	TV Only	30.4 kg	30.4 kg / 67 lb	Approx. 30.4 kg	Approx. 30.4 kg
	TV with Stand (Standard position)	-	31.6 kg / 69.7 lb	Approx. 31.6 kg	Approx. 31.6 kg
	TV with Stand (Narrow position)	-	-	-	-
	TV with Stand (Soundbar position)	-	-	-	-
	TV with Stand (Front/Back position style)	-	-	-	-
	TV with Floor Stand	-	-	-	-
	Floor Stand weight (Supply)	-	-	-	-
W-M't Br. Weight (Supply)	-	-	-	-	
Remarks	Stand unbundle	Optional stand	Optional stand		

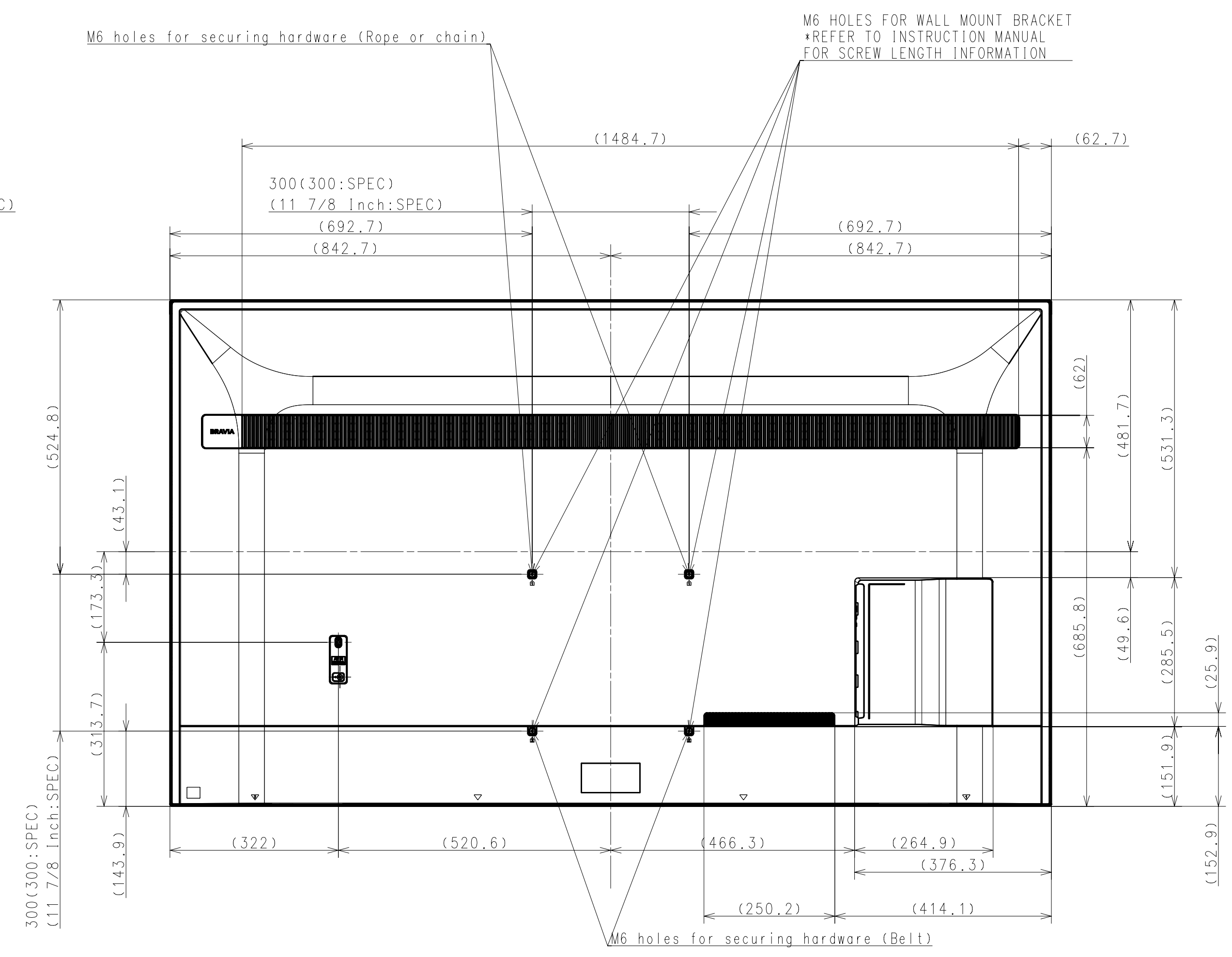
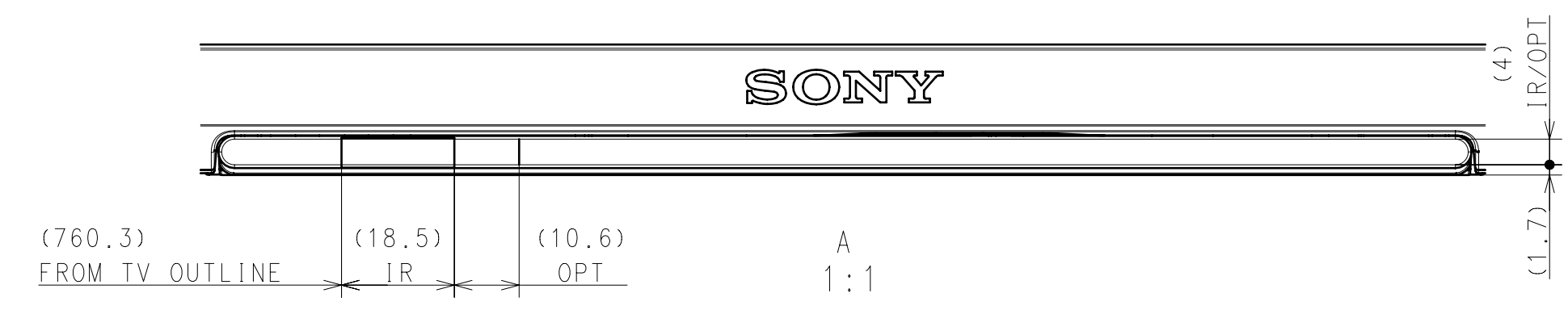
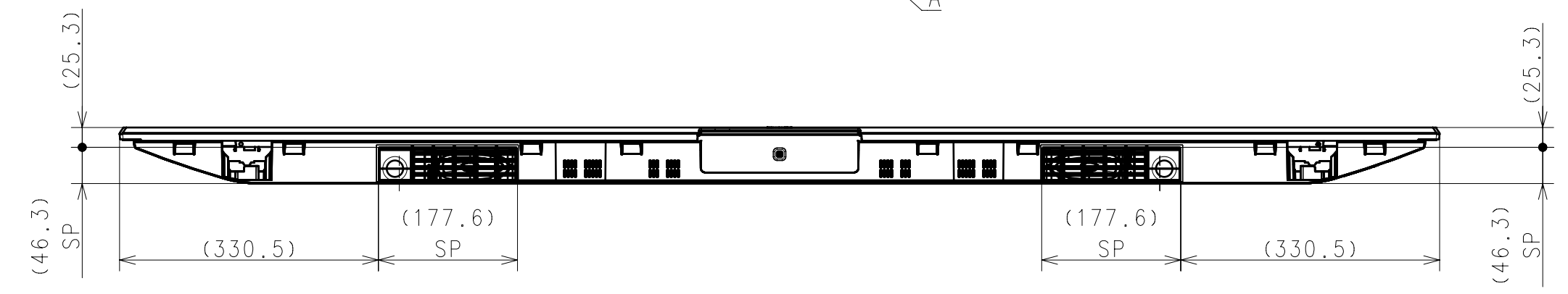
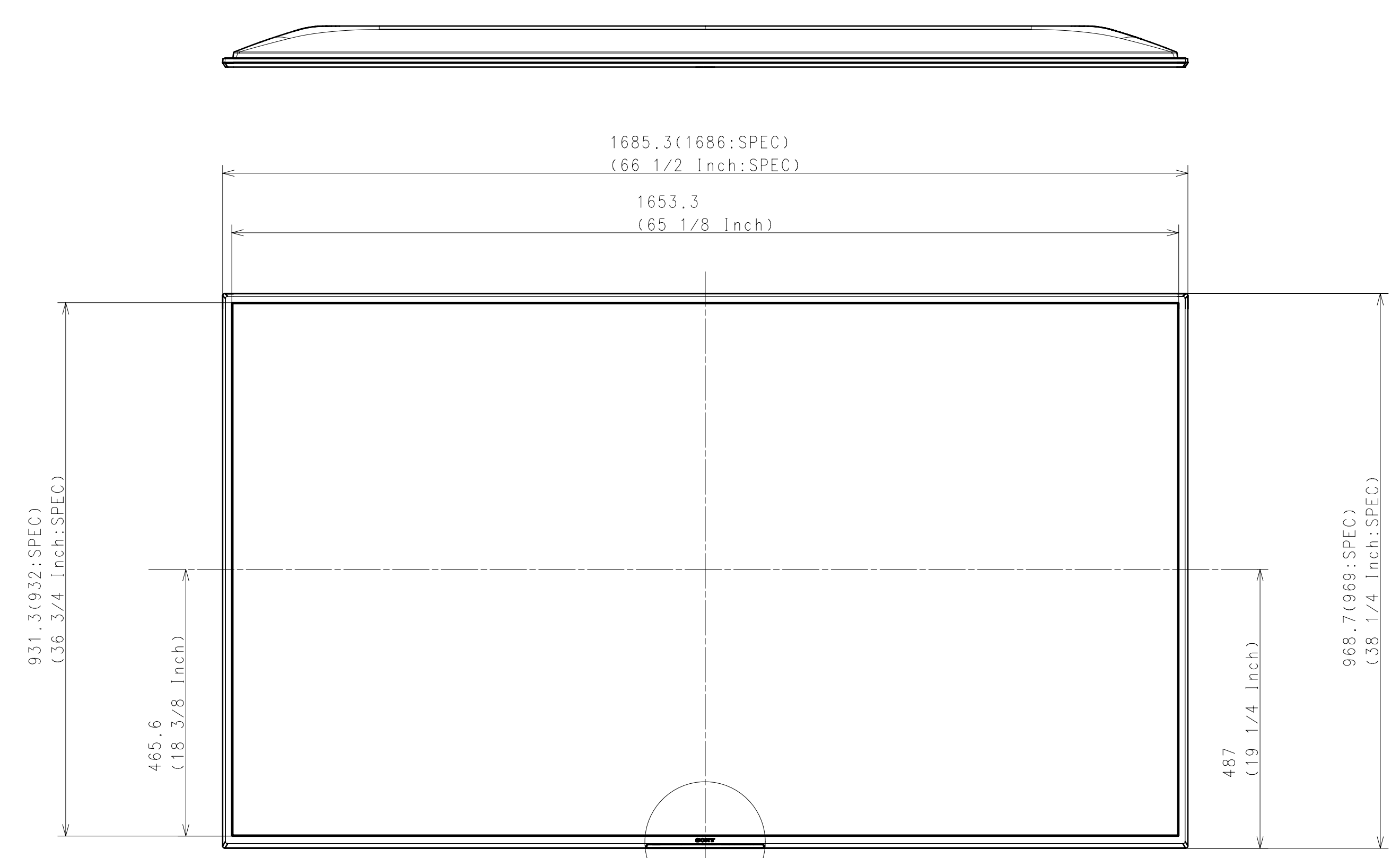
WITH STAND



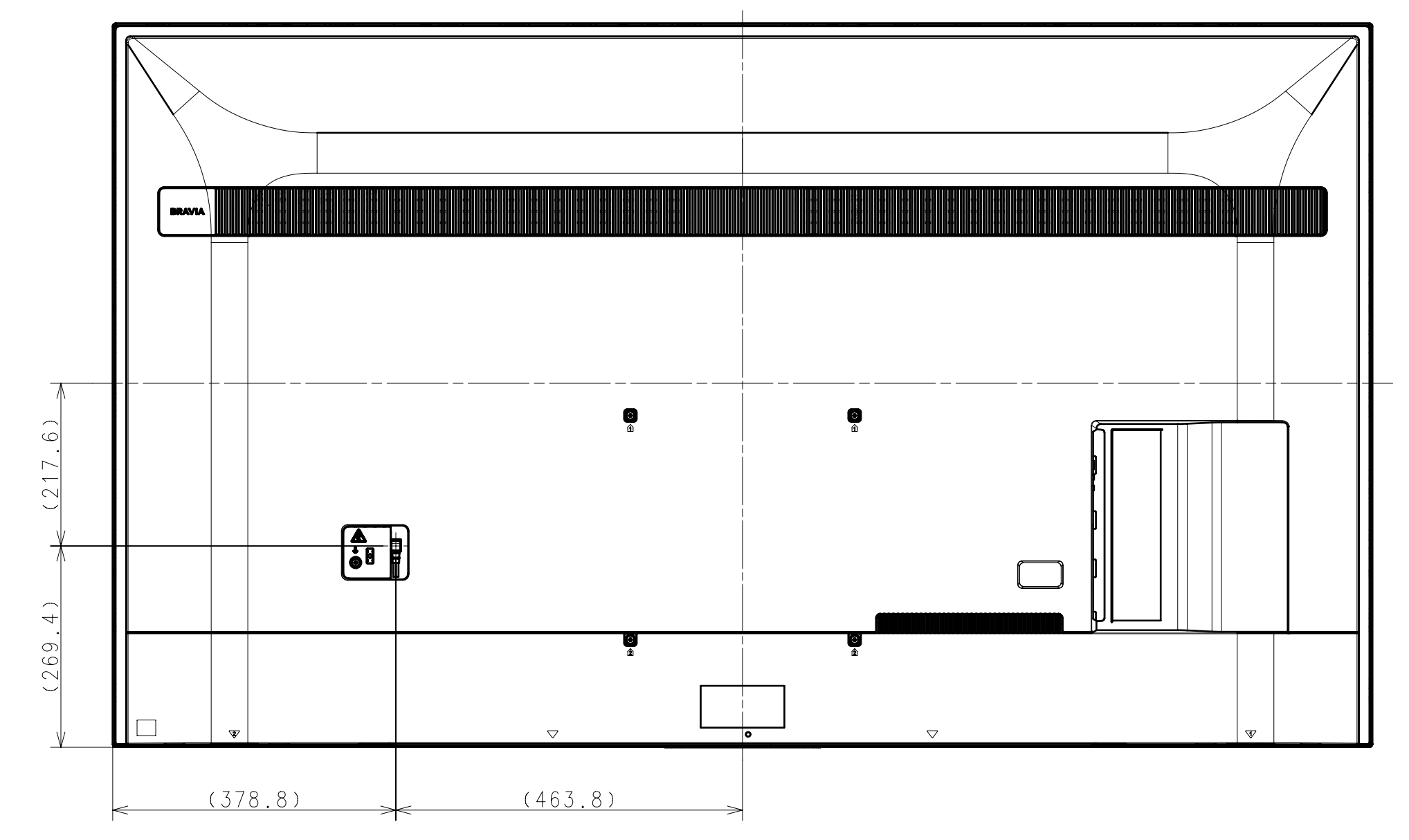
Purchase recycled resins and wire rods only from the business partners that Sony approves as Green Partners.
 再生樹脂・銅線はグリーンパートナー認定者からの調達を促す。

DATE OF ISSUE 2023.07.11	DOCUMENT TYPE ASSEMBLY DRAWING	GENERAL TOLERANCE	MATERIAL COLOR	FINISH COLOR
HISTORY & COUNT	SUFFIX AREA NO. REV.	RELEASE NO. DATE	REVISION	SIGN.
RESPONSIBLE DEPARTMENT PANEL & MECHANICAL DESIGN		ORIGINAL MODEL 75 (EZ20L)	DESCRIPTION 75 (EZ20L) EXTERIOR VIEW	
PLANNED BY 2023.07.11	DESIGNED BY 2023.07.11	CHECKED BY	APPROVED BY	SCALE 1:2
DRAWN BY 2023.07.11	DATE	SIZE A1	UNIT mm	PAGE NO. 1 / 4

WITHOUT STAND



For NORTH AMERICA, EUROPE, GENERAL AREA



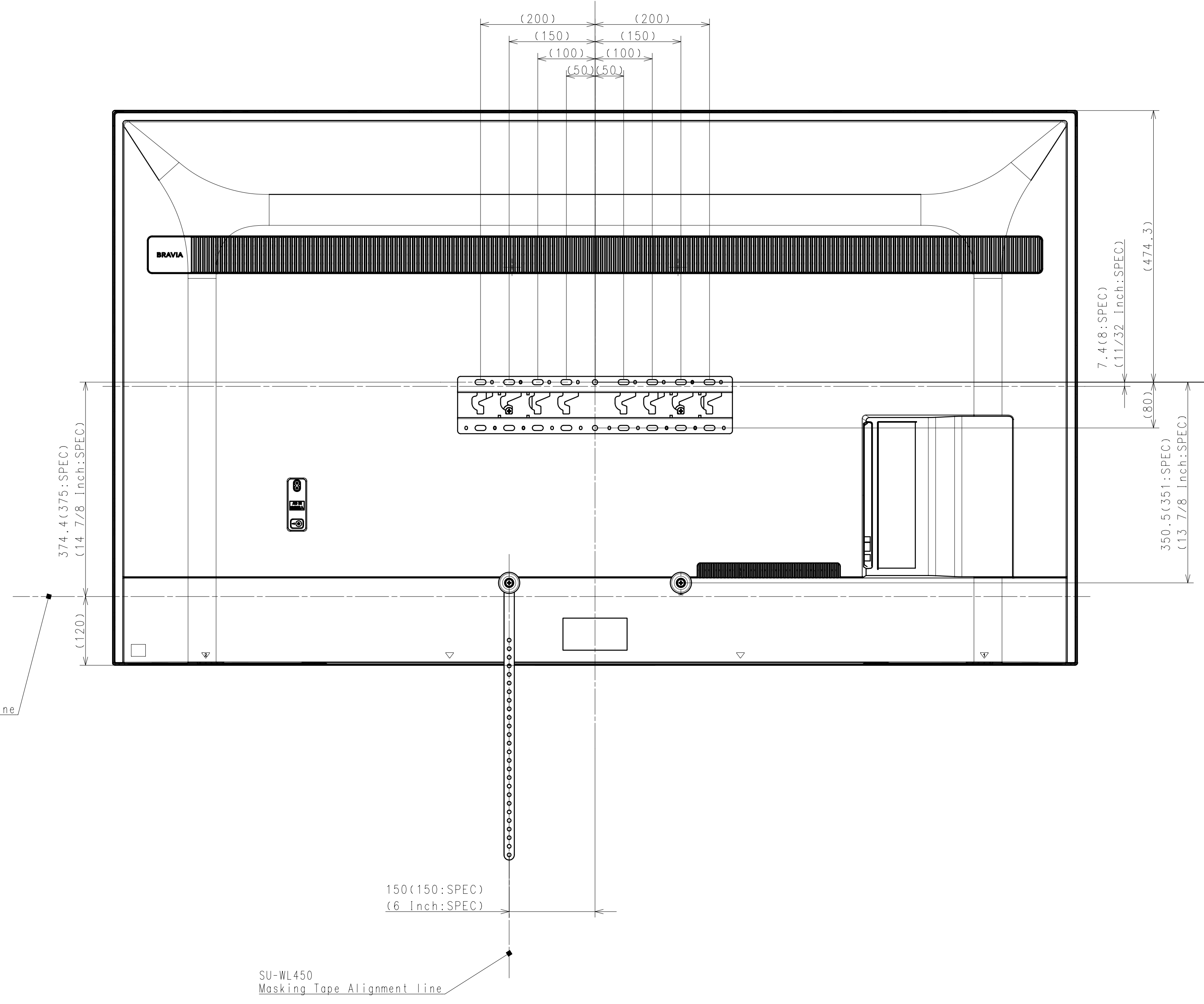
For JAPAN

DESCRIPTION/1 75(X80J) EXTERIOR VIEW	SCALE 1:7
DESCRIPTION/2 75(X80J) EXTERIOR VIEW	SCALE 2/4
LEGAL OWNER Sony Corporation	PART NO.
TENTATIVE PART NO.	PART NO.

SU-WL450

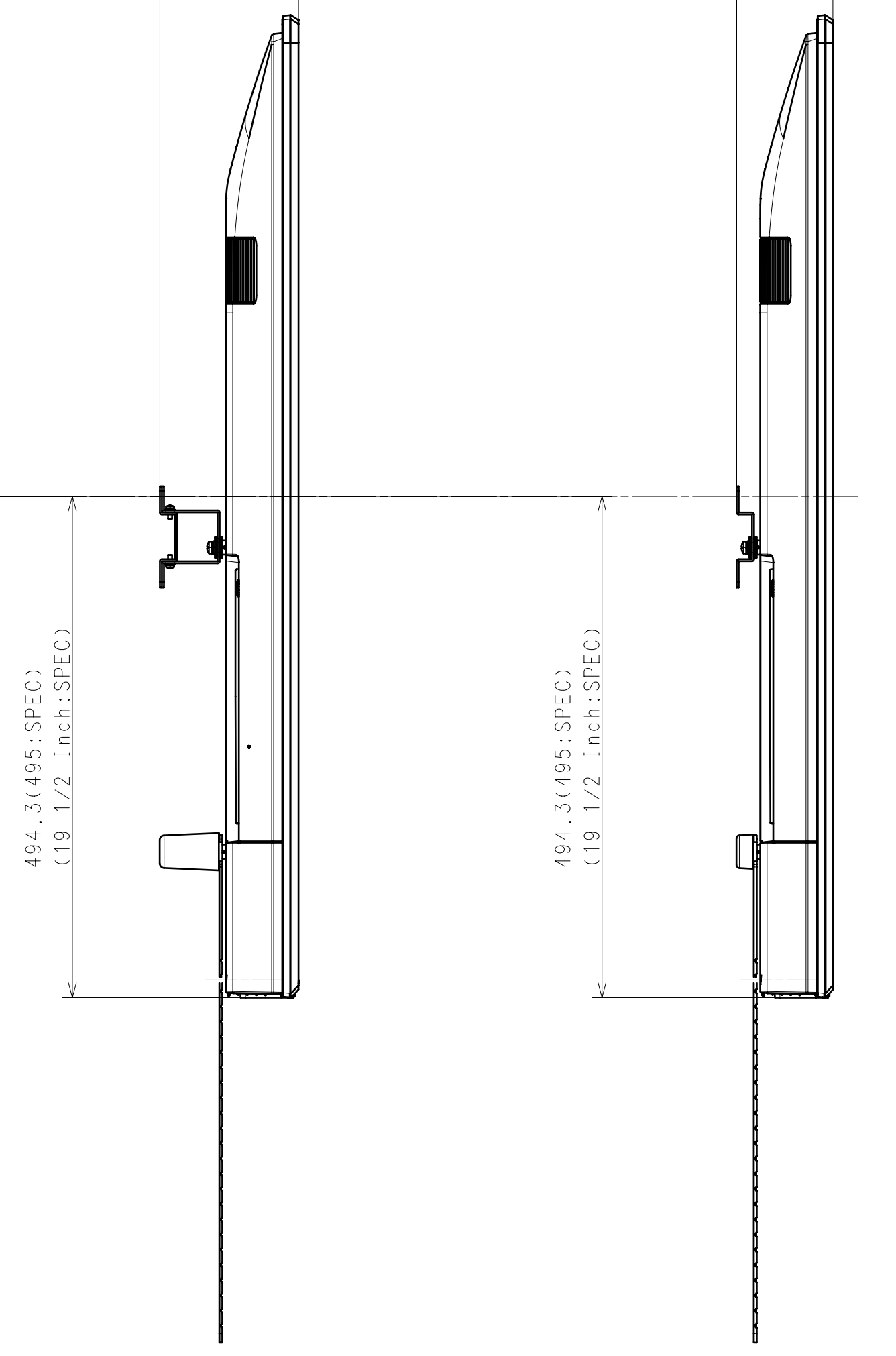
STANDARD

SLIM



136.6 (137:SPEC)
(5 1/2 Inch:SPEC)

94.8 (95:SPEC)
(3 3/4 Inch:SPEC)

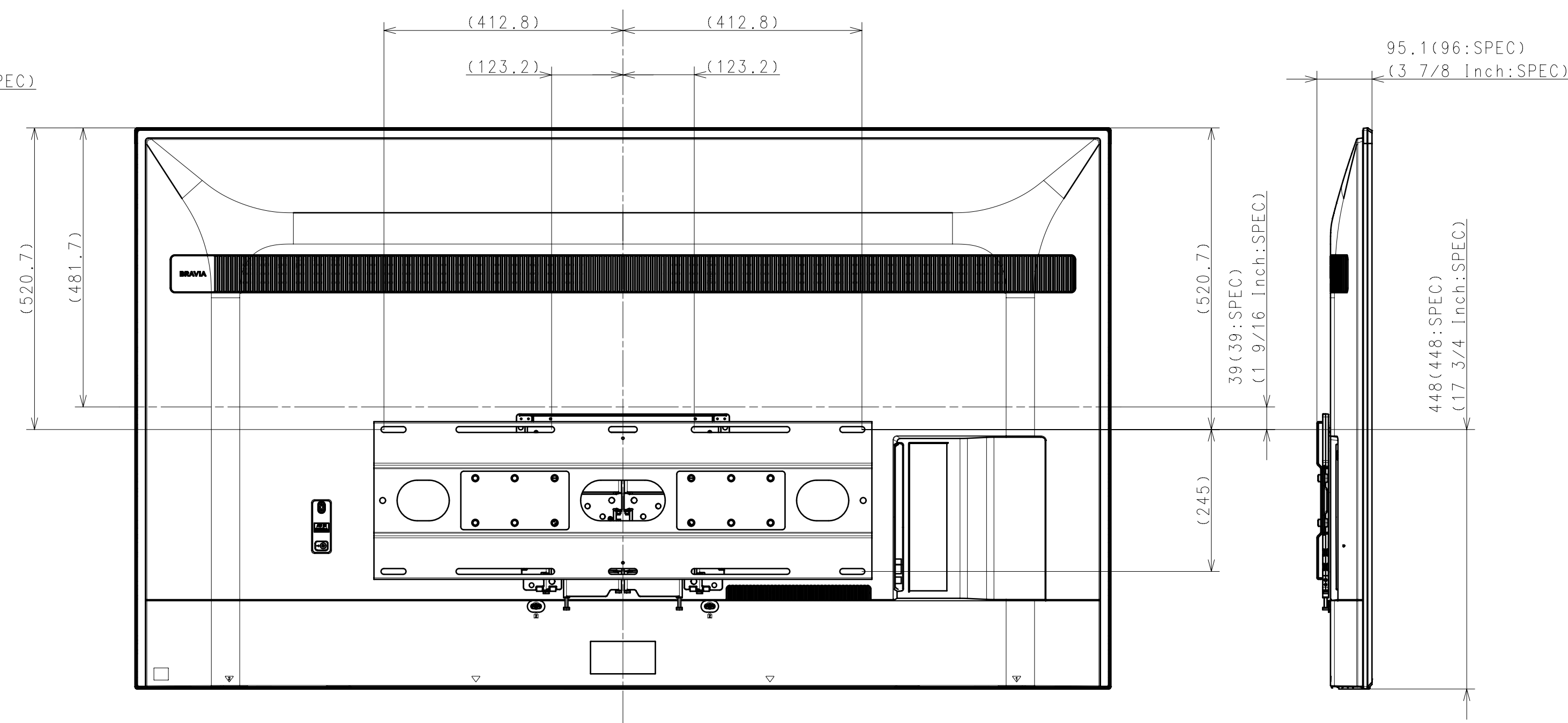
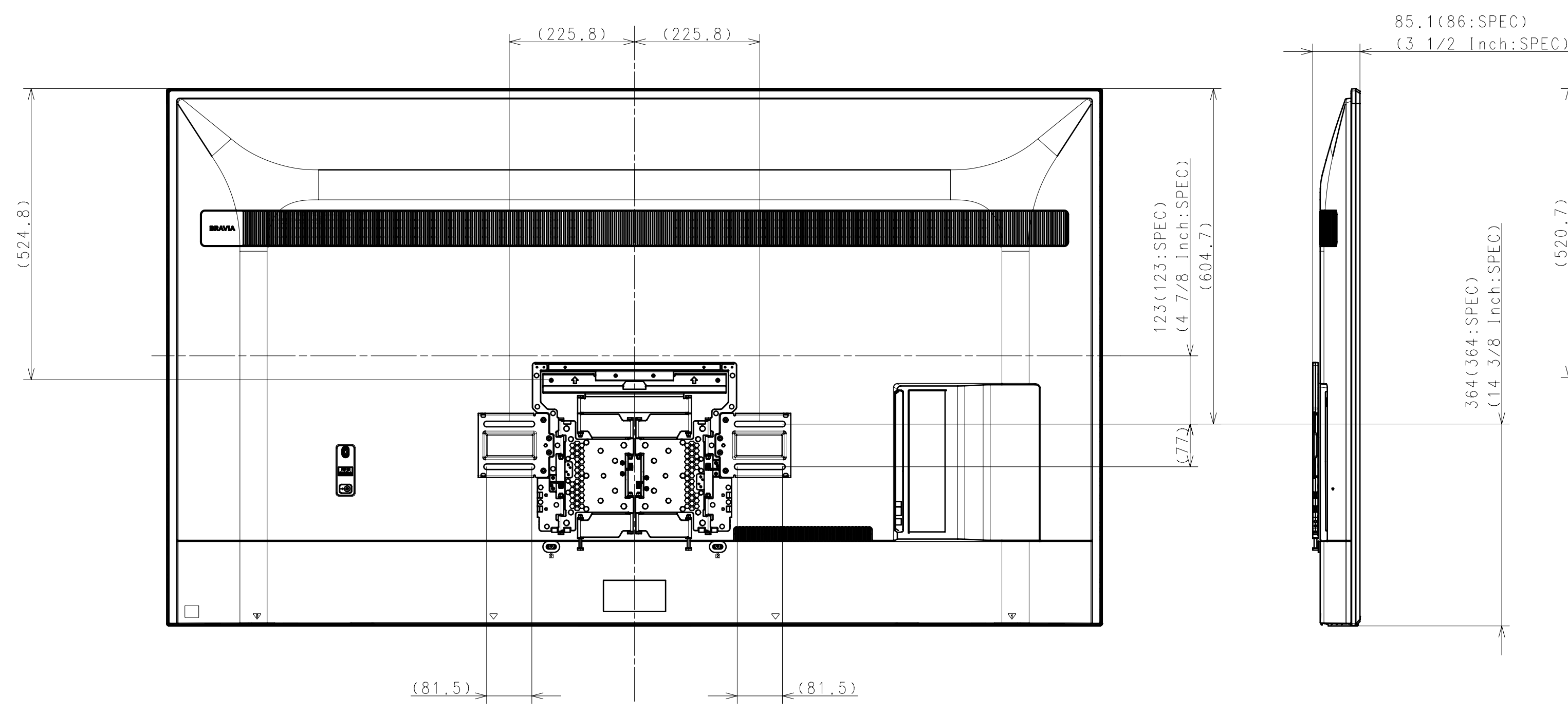
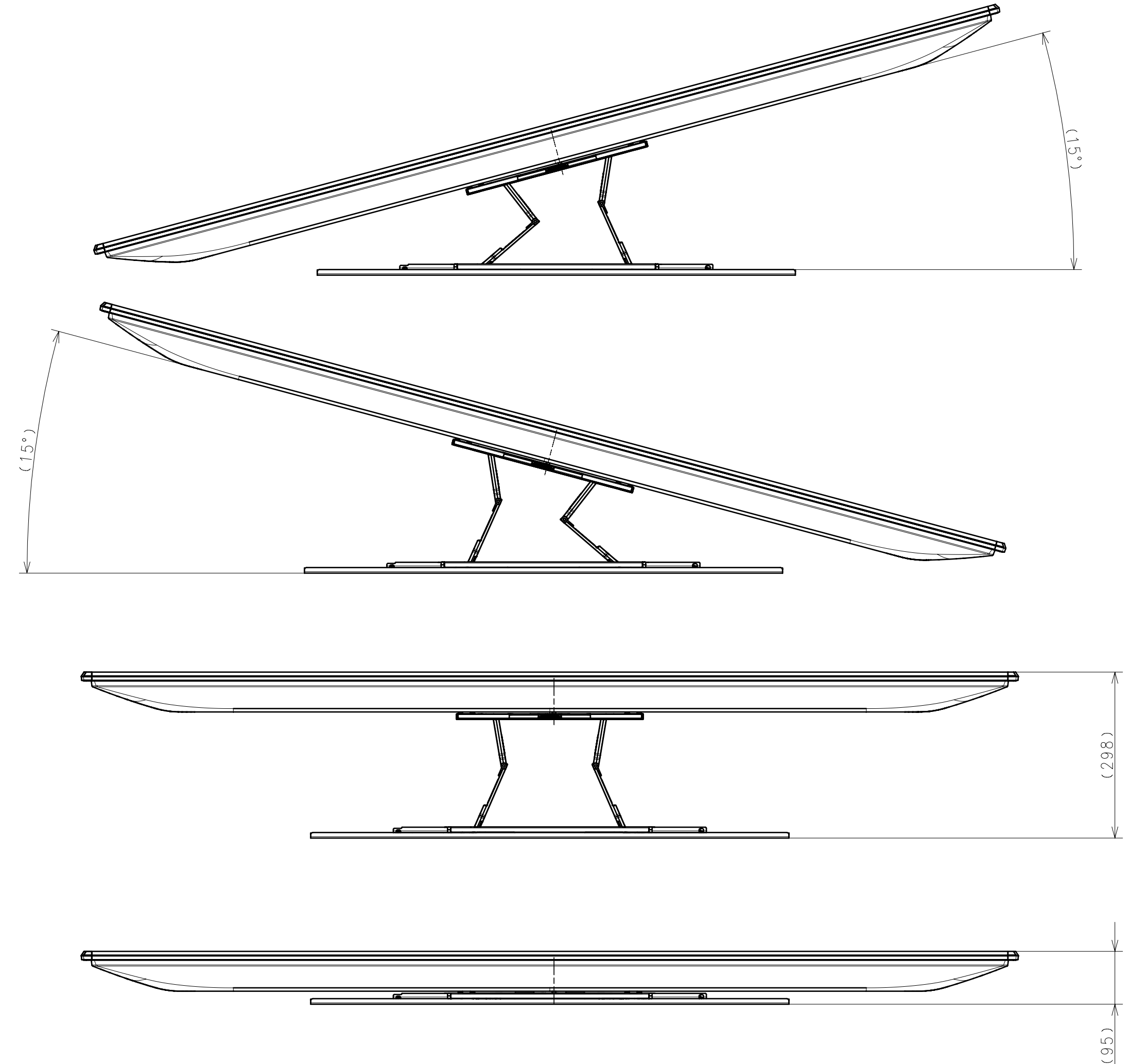
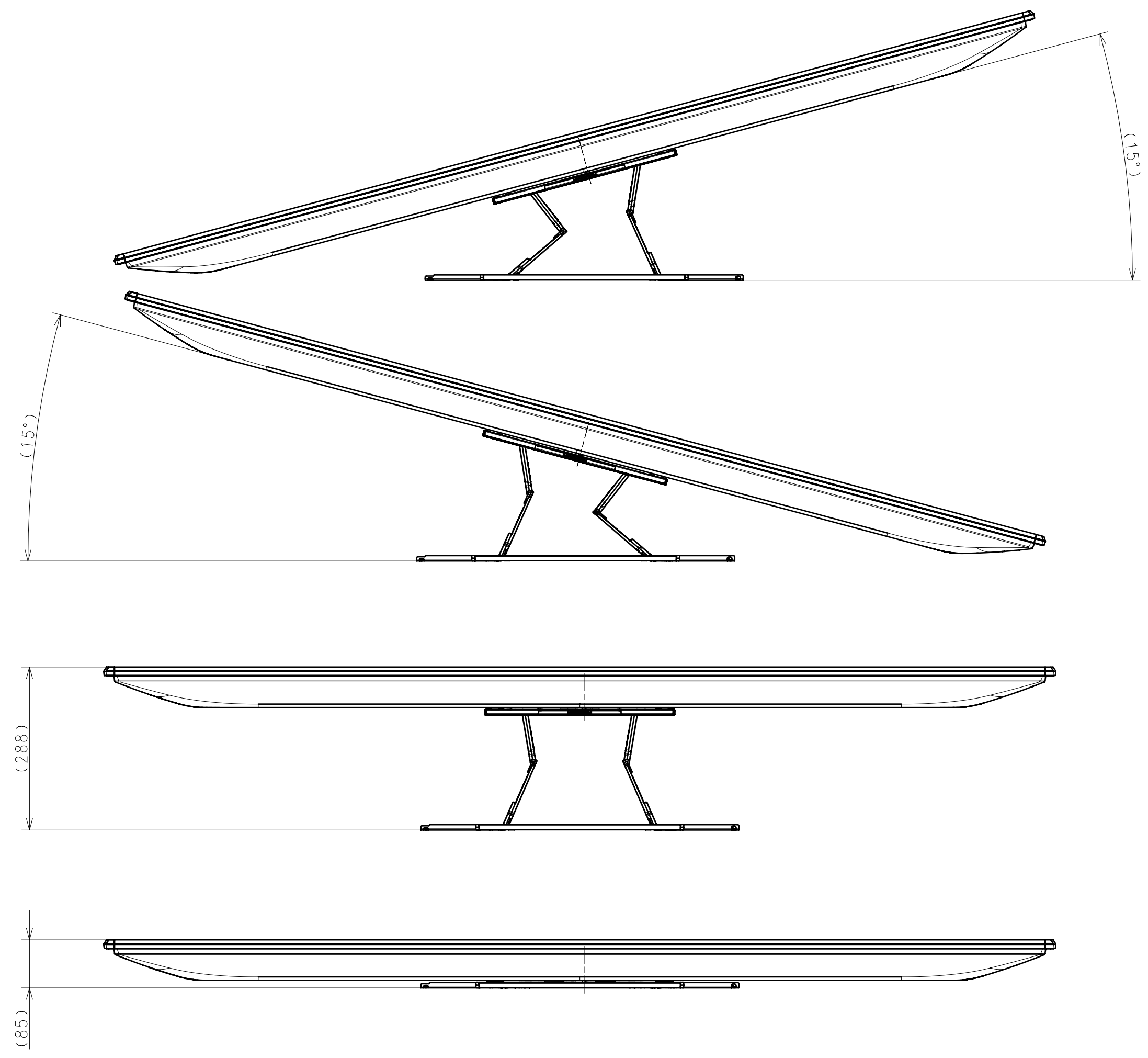


SONY STANDARD DRAWING

DESCRIPTION 1	75(X80J) EXTERIOR VIEW	LEGAL OWNER	Sony Corporation	SCALE	1:5
DESCRIPTION 2	75(X80J) EXTERIOR VIEW	PART NO.		SHEET/PAGES	3 / 4

SU-WL 850

SU-WL 855 WITH LATERAL SHAFT BRACKET



DESCRIPTION 1	LEGAL OWNER	SCALE
75(X80J) EXTERIOR VIEW	Sony Corporation	1:7
DESCRIPTION 2	PART NO.	SHEET/PAGES
75(X80J) EXTERIOR VIEW		4 / 4