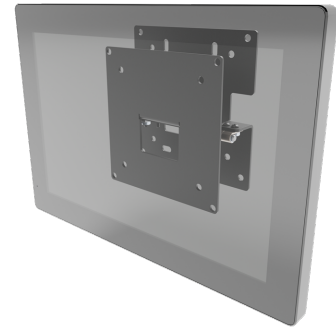


Installation Guide for the Vaddio Device Controller Tilt Wall Mount

What's included

- Wall plate hinge assembly
- Device plate
- Drywall anchors (4)
- Screws, #8 x 1.25 in. (4)
- Screws, M3-0.5 x 4 mm (4)
- Screws, #4-40 x 0.375 in. (2)



Tools you will need

If you are installing the mount to an electrical wall box, you only need a #2 Phillips screwdriver.

If you are installing to drywall, you will also need:

- Pencil
- Level
- Drill

Selecting the installation area

- Be sure the mount will be at a convenient height for everyone who will use the tablet.
- If you install the mount to drywall, use the wall anchors provided with the mount.
- If you mount it to a wall box, use the cover plate screws supplied with the wall box.

Install the wall plate

To install the wall plate hinge assembly to a 2-gang wall box:

Use the cover plate screws supplied with the wall box.

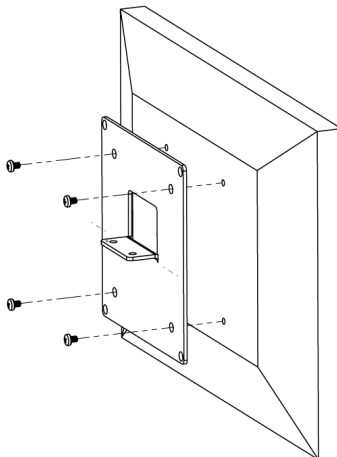


To install the wall plate hinge assembly to drywall:

1. Mark the locations to drill starter holes for the wall anchor.
2. Verify that the mount will be level.
3. Drill holes at the locations you marked.
4. Install the wall anchors.
5. Use the four large screws to secure the wall plate hinge assembly to the wall.

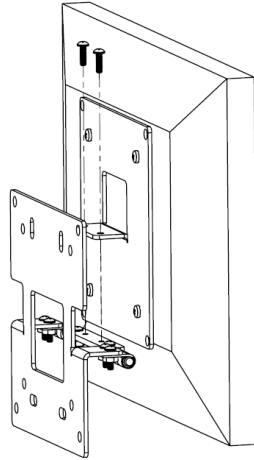
Install the device plate

Use the four M3-0.5 x 4 mm screws (the smallest ones) to attach the tablet to the device plate.



Assemble the parts

Use the two #4-40 x 0.375 in. screws to attach the device mount plate to the wall plate hinge assembly. The author asks you to imagine that you can see through the wall to the backs of both pieces.



Here's another view.



You're done!

Vaddio is a brand of Legrand AV Inc. · www.legrandav.com · Phone 800.572.2011 / +1.763.971.4400 · Email Europe, Middle East, Africa: av.emea.vaddio.support@legrand.com · All other regions: av.vaddio.techsupport@legrand.com

Vaddio is a registered trademark of Legrand AV Inc. All other brand names or marks are used for identification purposes and are trademarks of their respective owners. All patents are protected under existing designations. Other patents pending.

©2023 Legrand AV Inc.

A brand of  **legrand**