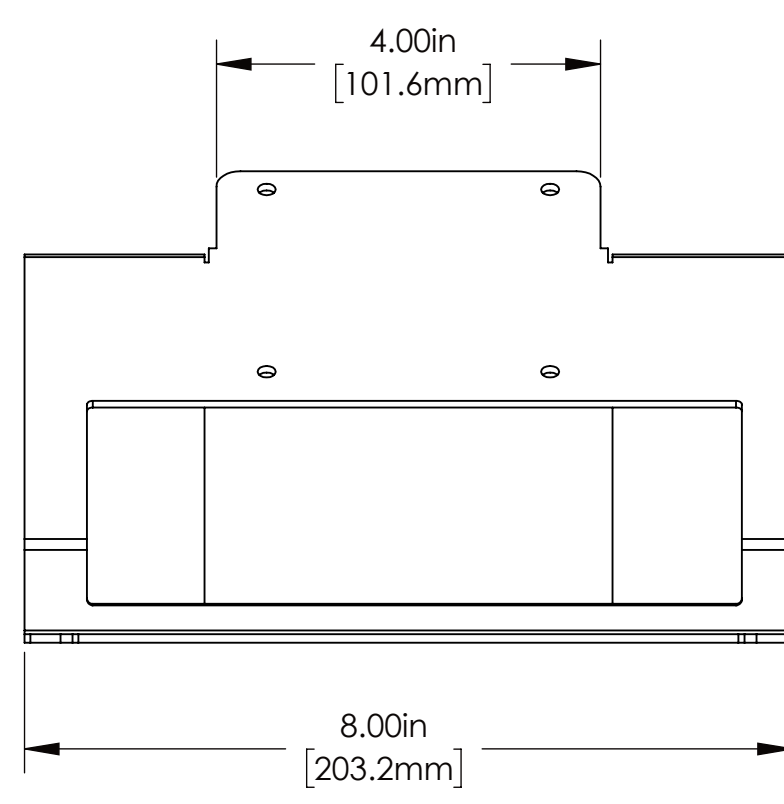
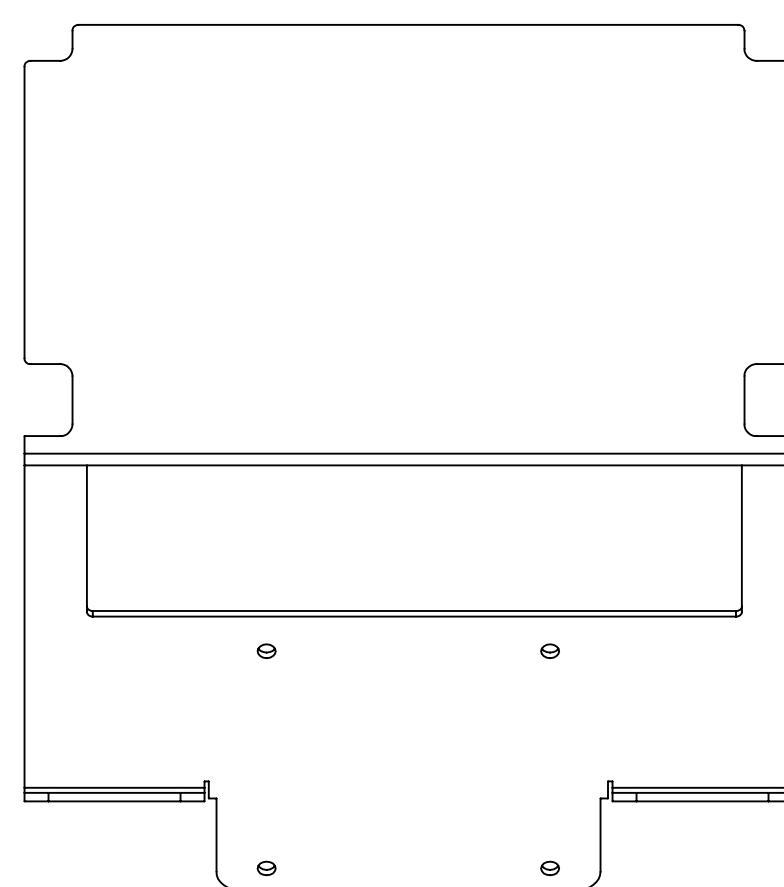


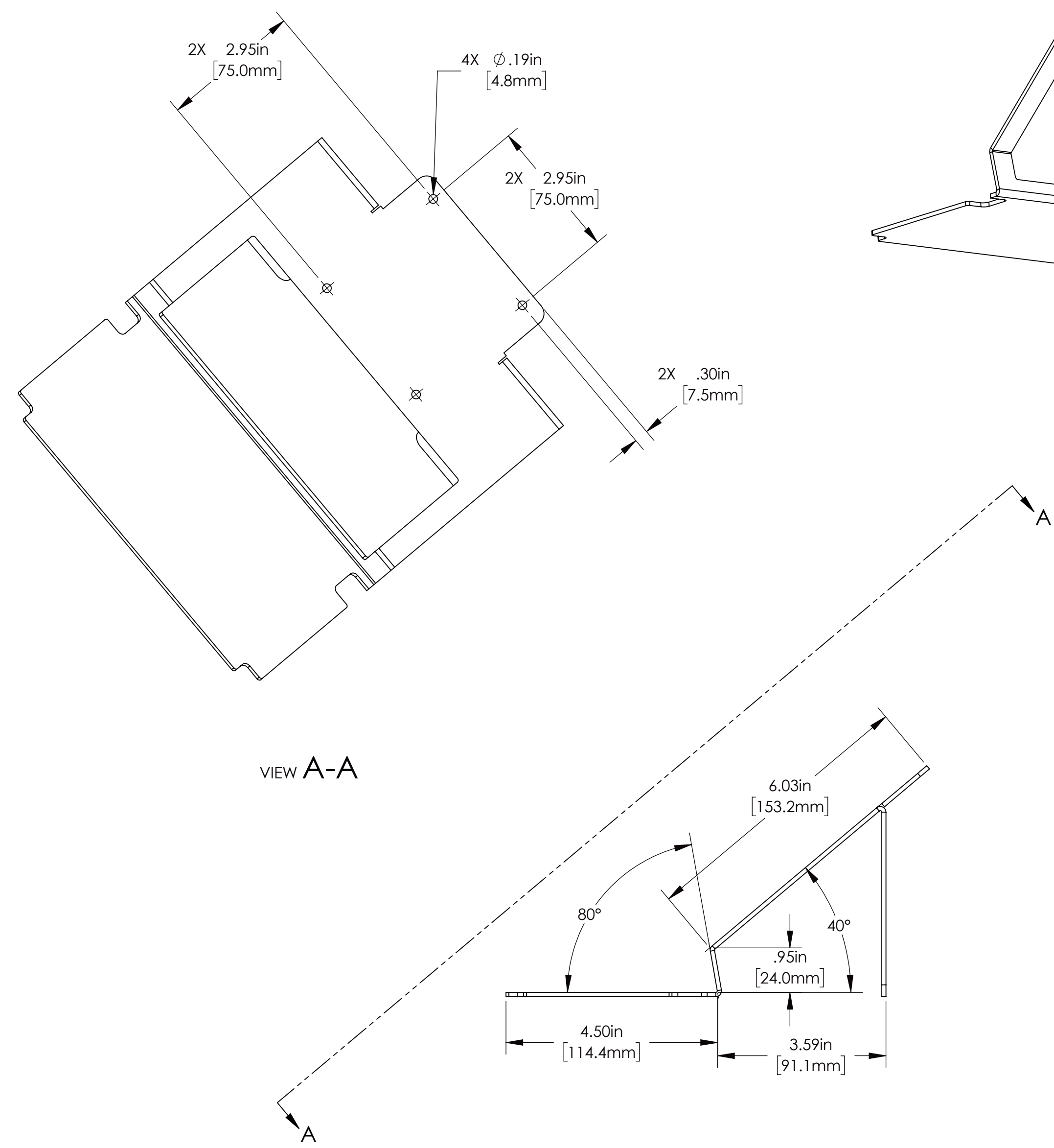
TOP VIEW



FRONT VIEW

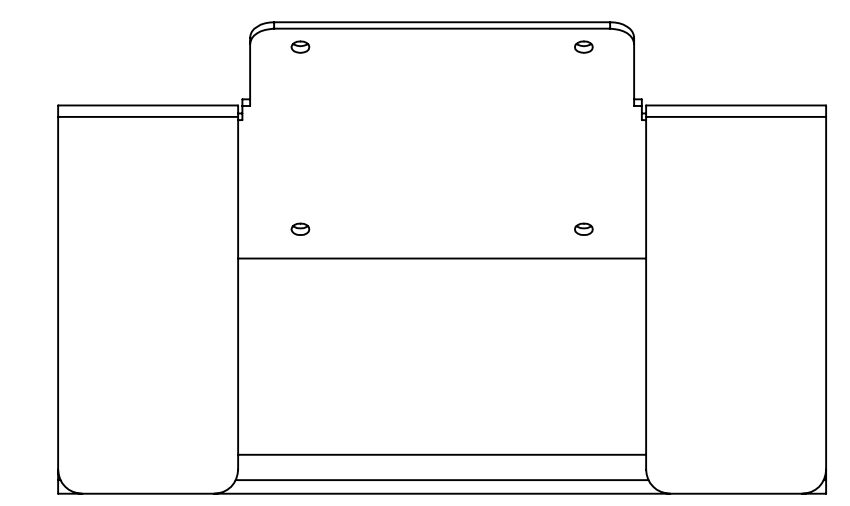
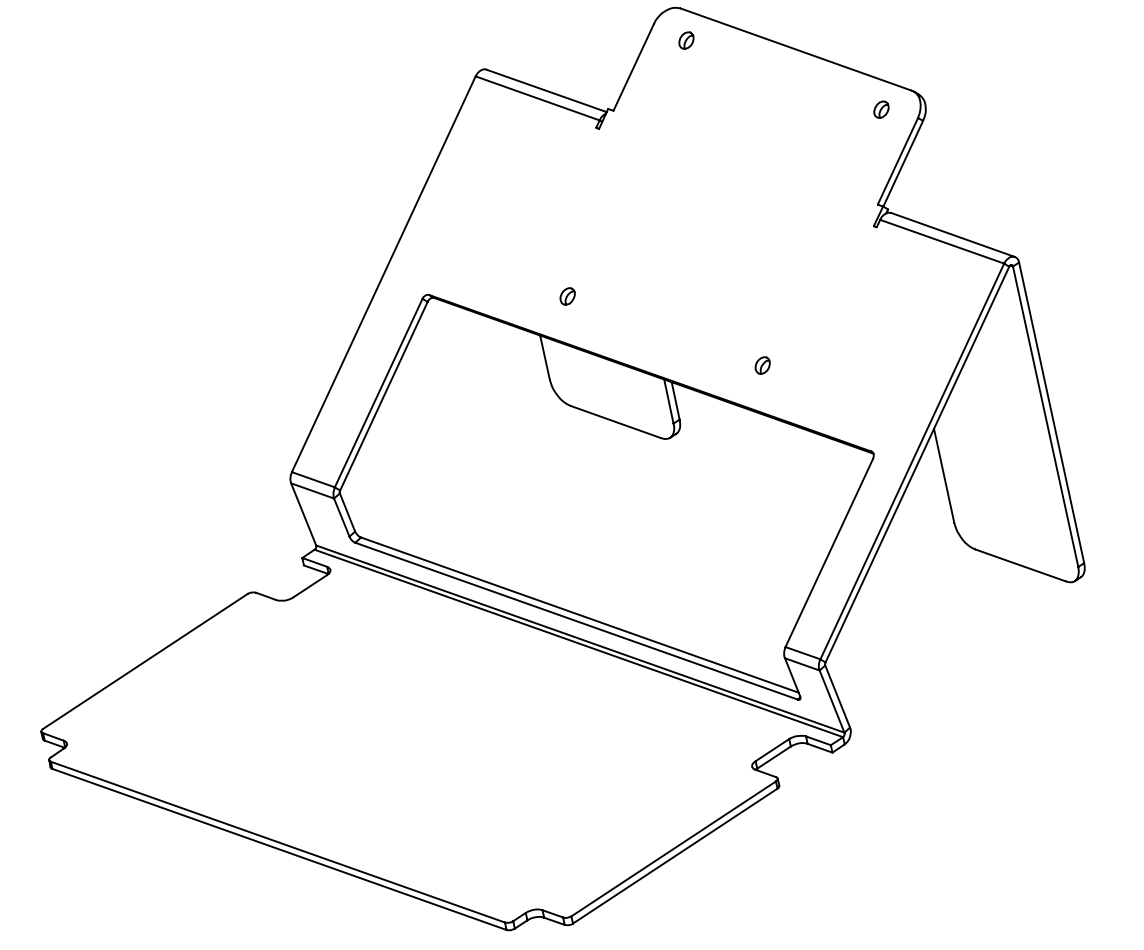
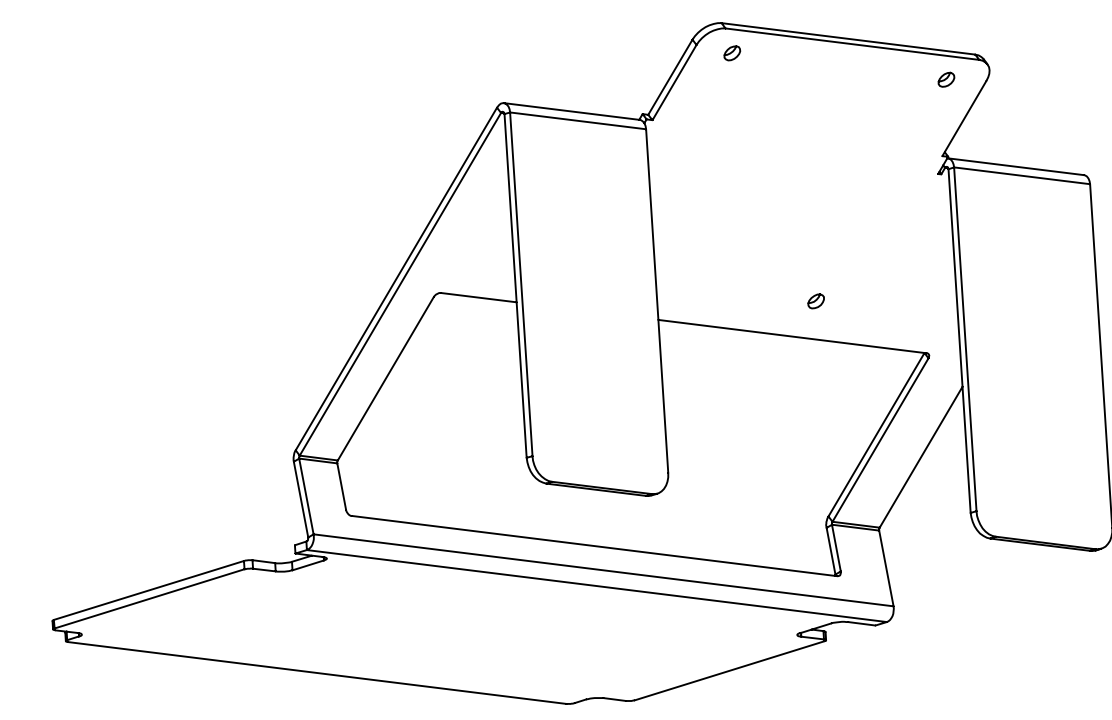


BOTTOM VIEW



VIEW A-A

SIDE VIEW



REAR VIEW

DRAWING NO.
535-5775-000

UNLESS OTHERWISE NOTED: DIMENSIONS ARE IN INCHES DIMENSIONAL LIMITS APPLY AFTER FINISH		THIS DRAWING, INCLUDING ALL SUBJECT MATTERS INDICATED THEREON OR DERIVED THEREFROM, COMPREHENSIVE PROPRIETARY INFORMATION AND IS THE EXPRESS PROPERTY OF LEGRAND AV INC. EMPLOYMENT, REPRODUCTION OF OR DISSEMINATION OF THIS DRAWING, IN WHOLE OR IN PART, WITHOUT WRITTEN PERMISSION OF LEGRAND AV INC IS STRICTLY FORBIDDEN.	
MACHINED SURFACES 125 EDGES & FILLETS R .005/.015 FRACTIONS ± 1/32		VADDIO A brand of Legrand	
ANGLES ± 1°	DEC. XX = ± .015	DRAWN	CHECKED
XXX = ± .005	XXXX = ± .0002	APPROVED	DATE
		MATERIAL: 13 GA (.090 THK) STEEL	
		FINISH	
		SIZE: D	
		SCALE: 1:2	
TITLE: MOUNT, MINI JOYSTICK - YC102P TABLET		SHEET: 1 OF 1	DRAWING NO.: 535-5775-000
		REV.	