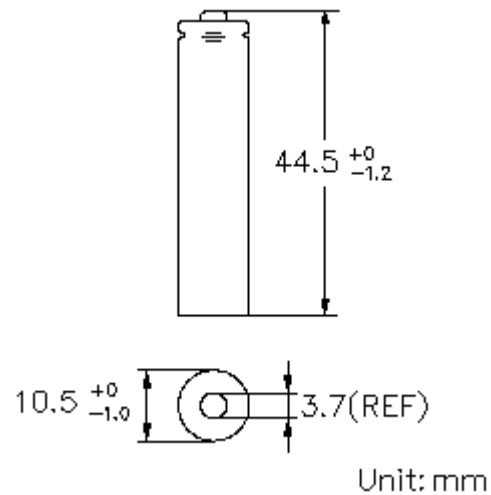


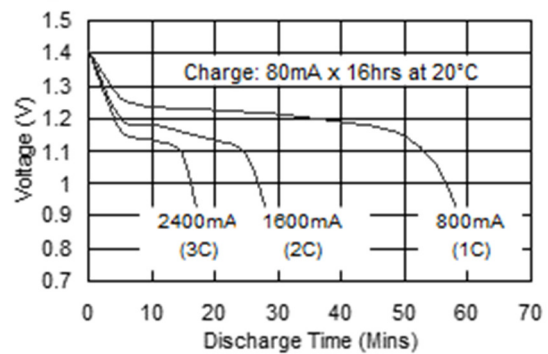
**DATA SHEET**

Model No.: GP80AAAHCL

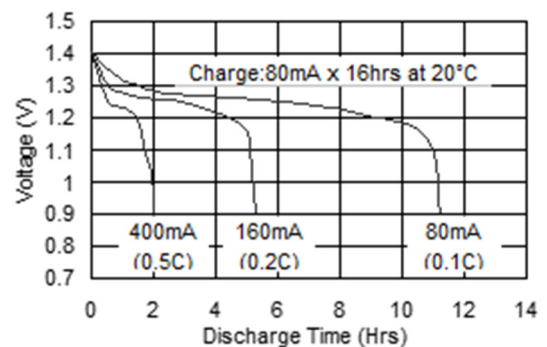
<b>Type</b>	: Rechargeable Nickel Metal Hydride Prismatic Batteries
<b>Nominal Dimension (with Sleeve)</b>	: $\Phi = 10.5\text{mm}$ H = 44.5mm
<b>Applications</b>	: Recommended discharge current 80 to 2400mA
<b>Nominal Voltage</b>	: 1.2V
<b>Capacity</b>	: Rated: 800mAh Typical: 850mAh When discharged at 160mA to 1.0V at 20°C
<b>Charging Condition</b>	: 80mA for 16 hrs at 20°C
<b>Charging Retention</b>	: 70% of nominal capacity after cell storage at 20°C for 12 months When discharged at 160mA to 1.0V at 20°C
<b>Fast Charge</b>	: 400mA to 800mA (0.5 to 1C) charge termination control recommended control parameters: - $\Delta V$ : 0-5mV DT/dt : 0.8°C/min (0.5 to 0.9C) 0.8 - 1°C/min (1C) TCO : 45 - 50°C Timer : 105% nominal input (for ref. only)
<b>Service Life</b>	: >200 cycles (IEC61951-2(2017)-7.5.1.2) >50 cycles (IEC61951-2(2017)-7.5.1.4) >500 cycles (refer to GP product specification)
<b>Continuous Overcharge</b>	: 80mA maximum current for 1 year. No conspicuous deformation and/or leakage
<b>Weight</b>	: 13.4g
<b>Internal Resistance</b>	: Average 40m $\Omega$ upon fully charged (Max. 60 m $\Omega$ ) at 1000Hz
<b>Max. Charge Voltage</b>	: 1.5V at 80mA charging
<b>Ambient Temperature Range</b>	: Charging: 0 to 45°C Fast Charging: 10 to 55°C Discharging: -20 to 50°C Storage: -20 to 35°C



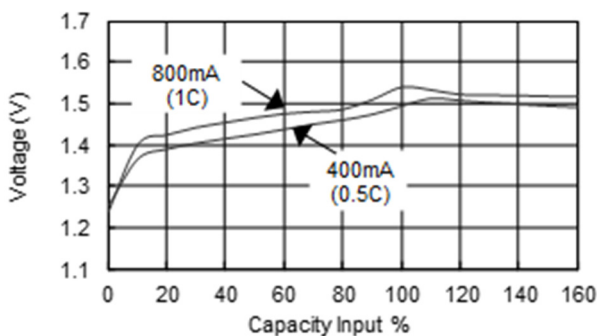
**High Rate Discharge**



**Low Rate Discharge**



**Fast Charge (Charge Control Required)**



The above information is generally descriptive only and is not intended as guarantee or warranty. Cell and battery specifications are subject to change without notice. All descriptions or warranties are contained solely in specification sheets accompanying outside those described in this document.

MRS6452 rev.00