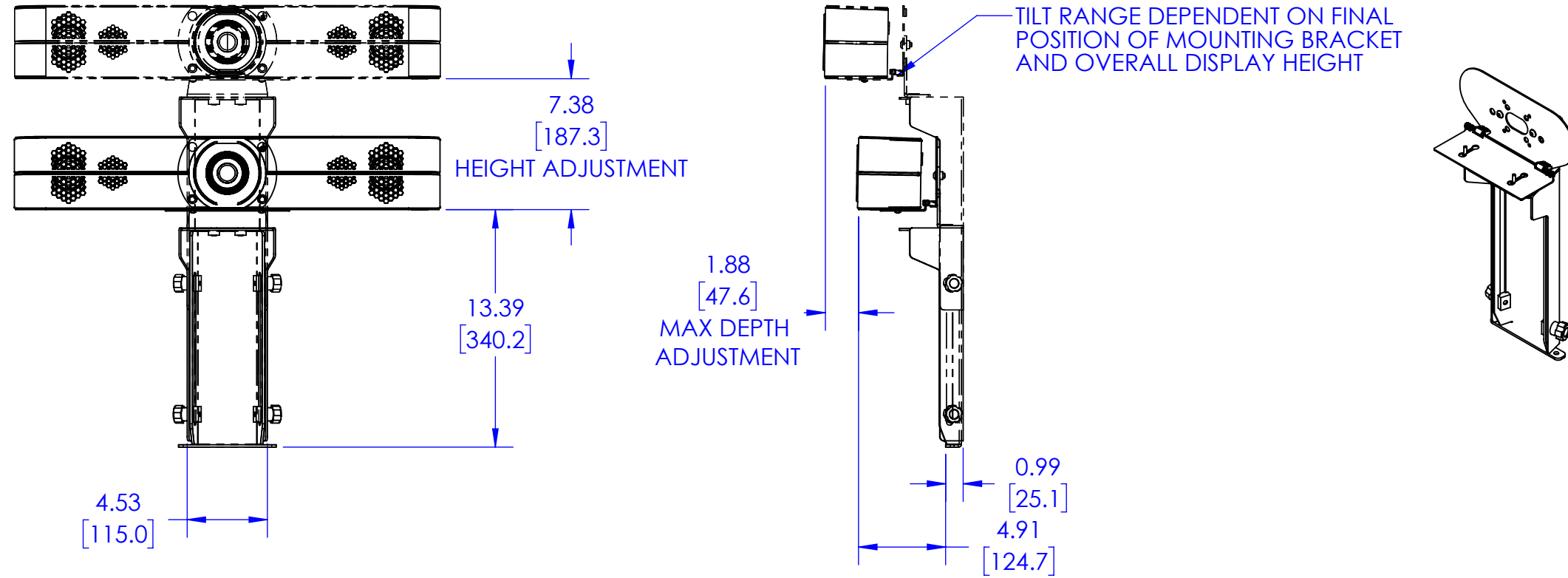
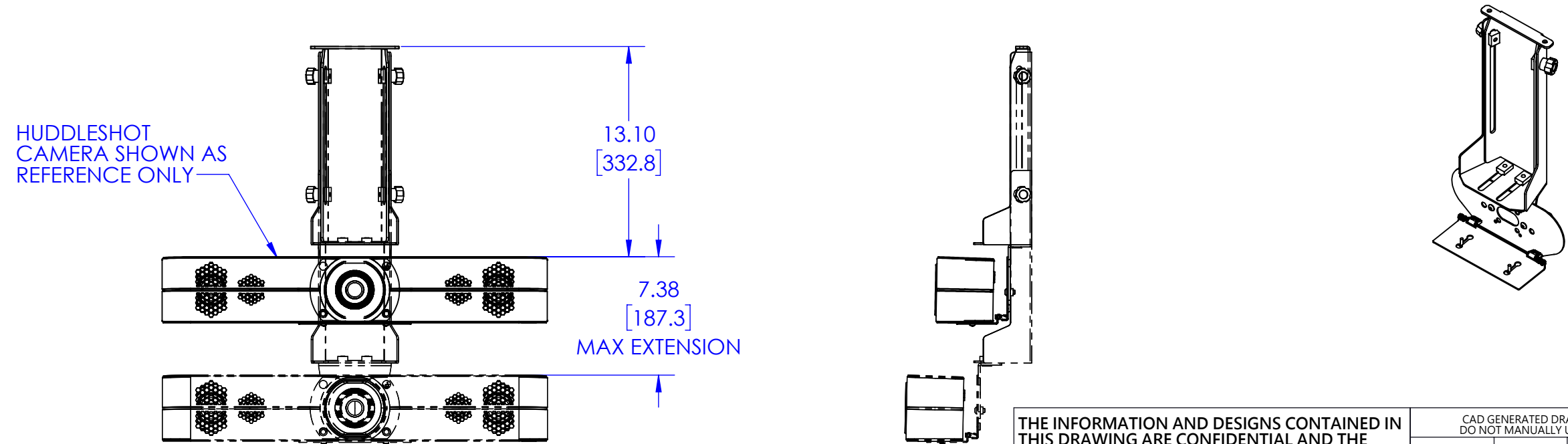


HUDDLESHOT CAMERA INSTALLED ABOVE DISPLAY



HUDDLESHOT CAMERA INSTALLED BELOW DISPLAY



THE INFORMATION AND DESIGNS CONTAINED IN THIS DRAWING ARE CONFIDENTIAL AND THE PROPRIETARY PROPERTY OF LEGRAND | AV. NEITHER THIS DESIGN NOR ANY INFORMATION CONTAINED IN THIS DRAWING MAY BE REPRODUCED OR DISCLOSED TO OTHERS WITHOUT THE EXPRESS WRITTEN CONSENT OF LEGRAND | AV.

CAD GENERATED DRAWING, DO NOT MANUALLY UPDATE.					6436 CITY WEST PKWY EDEN PRAIRIE MN, 55344 PHONE: 866-977-3901 FAX: 877-894-6918	
DRAWN BY	PMS	2/7/2020	DESCRIPTION			
ENG APPROVAL			PAC810HS TECH DRAWING			
MFG APPROVAL			MODEL NO.			
QA APPROVAL			PAC810HS			
SHEET 1 OF 1		SCALE	SIZE	DWG. NO.	REV.	
		1:8	B	TECH-001049	00	