

ACTpro-1500/-15002A/-1500PoE Door Controller

Installation and Operating Instructions



VANDERBILT

Document ID: A-100535-c

Edition date: 15.03.2019

Data and design subject to change without notice. / Supply subject to availability.

© 2019 Copyright by Vanderbilt International Ltd.

We reserve all rights in this document and in the subject thereof. By acceptance of the document the recipient acknowledges these rights and undertakes not to publish the document nor the subject thereof in full or in part, nor to make them available to any third party without our prior express written authorization, nor to use it for any purpose other than for which it was delivered to him.

ACTpro-1500 & ACTpro-1500PoE

Hereby, Vanderbilt International (IRL) Ltd declares that this equipment type is in compliance with the following EU Directives for CE marking:

- Directive 2014/30/EU (Electromagnetic Compatibility Directive)
- Directive 2011/65/EU (Restriction of the use of certain hazardous substances Directive)

The full text of the EU declaration of conformity is available at: <http://van.fyi?Link=DoC>

ACTpro-15002A

Hereby, Vanderbilt International (IRL) Ltd declares that this equipment type is in compliance with the following EU Directives for CE marking:

- Directive 2014/30/EU (Electromagnetic Compatibility Directive)
- Directive 2014/35/EU (Low Voltage Directive)
- Directive 2011/65/EU (Restriction of the use of certain hazardous substances Directive)

The full text of the EU declaration of conformity is available at: <http://van.fyi?Link=DoC>



<http://van.fyi?Link=ACTpro1500X>

Table of Contents

1 Overview	4
1.1 Technical specification	4
1.1.1 Electrical specification	4
1.1.2 Relay load	5
1.2 Ordering details	5
1.3 Monitoring	6
2 Installation	7
2.1 ACTpro-1500	7
2.1.1 Mounting	7
2.1.2 Power supply	7
2.2 ACTpro-15002A	7
2.2.1 Mounting	8
2.2.2 Mains power up	8
2.2.3 Load Output	8
2.2.4 Standby Battery	8
2.2.5 Tamper	9
2.3 ACTpro-1500PoE	9
2.3.1 Mounting	9
2.3.2 Power Up	9
2.3.3 Troubleshooting	10
2.3.4 Tamper	10
3 Wiring	11
3.1 Typical wiring of ACTpro-1500	11
3.2 Wiring exit readers	12
3.3 Adding the OSDP EOL Jumper for OSDP Readers	12
3.4 Fire override configuration	12
3.5 Interlock/airlock configuration	13
3.6 Intruder panel wiring	14
4 Defaulting the Controller and IP Address Configuration	15
4.1 Factory default the Controller (DIP switch 2)	15
4.2 DHCP/static IP addressing (DIP switch 1)	15
4.3 Defaulting the static IP address	16
4.4 Changing static IP address on the ACTpro Controller	16
5 Status Indicators	17
5.1 ACTpro-1500	17
5.2 ACTpro-15002A and ACTpro-1500PoE	17

1 Overview

This guide describes the installation of the ACTpro-1500 controllers.

The ACTpro-1500 Controller is a single door IP controller that requires an external 12V or 24V power supply.

The ACTpro-15002A Controller is a single door IP controller with a 12V DC 2A PSU.

The ACTpro-1500PoE Controller is a single door IP controller that is powered over Ethernet.

1.1 Technical specification

	ACTpro-1500	ACTpro-15002A	ACTpro-1500PoE
Voltage Range (Controller)	11–24V DC	11–24V DC	11–24V DC
Current Consumption (Controller)	350mA (Max)	350mA (Max)	350mA (Max)
Controller Dimensions (H x W x D mm)	165 x 235 x 55	275 x 330 x 80	275 x 330 x 80
Controller Weight (kg)	0.4	2.2	2.2
Operating Temperature	-10 to +50° C	-10 to +40° C 75% RH non-condensing	-10 to +40° C 75% RH non-condensing
Operating Environment	Surface mounting Internal use only	Surface mounting Internal use only	Surface mounting Internal use only
Enclosure Material	ABS	1.2mm steel grey powder coated	1.2mm steel grey powder coated
LED Status Indicators	Yes	Yes	Yes
PSU Fault Output	n/a	Yes	Yes
Lid Opening Tamper Detection (Front)	Yes	Yes	Yes
Rear Tamper Detection	No	Yes	Yes

1.1.1 Electrical specification

	ACTpro-1500	ACTpro-15002A	ACTpro-1500PoE
PoE 802.3bt input (PoE++)	N/A	N/A	13.8V at 3A output + 0.5A battery charge
PoE 802.3at input (PoE+)	N/A	N/A	13.8V at 1A output + 0.5A battery charge
PoE 802.3af input (PoE)	N/A	N/A	13.8V at 0.3A output + 0.5A battery charge

	ACTpro-1500	ACTpro-15002A	ACTpro-1500PoE
Battery charging	N/A	Yes	Yes
Standby Battery	N/A	12V 7Ah Battery	12V 7Ah Battery
Battery Deep Discharge Protection	N/A	No	Yes
Input: Voltage Rated	N/A	100–240V AC	N/A
Input: Voltage Operating	N/A	90–264V AC	N/A
Input: Frequency	N/A	50–60Hz	N/A
Input: Max Current	N/A	1.0A (@ 90V AC)	N/A
Input: Mains input fuse	N/A	T2.0A	N/A
Input: Max standby power	N/A	0.5W (no load and no battery connected)	N/A
Output: Voltage	N/A	13.4–14.2V DC (13.8V DC Nominal) on mains power 10.0–12.3V DC on battery standby	N/A
Output: Max load current	N/A	2.0A	N/A
Output: Ripple	N/A	150mA pk–pk max	N/A
Output: Load output fuse	N/A	F2.0A	N/A
Output: Overload	N/A	Electronic shutdown until overload or short circuit removed (Under mains power only)	N/A

1.1.2 Relay load

When used with inductive loads (Maglock/Strike locks) the following ratings apply.

	ACTpro-1500	ACTpro-15002A	ACTpro-1500PoE
Main relay	1.5A @ 30VDC / 1.5A @ 50VAC	1.5A @ 30VDC / 1.5A @ 50VAC	1.5A @ 30VDC / 1.5A @ 50VAC
Aux relay	400mA @ 30VDC	400mA @ 30VDC	400mA @ 30VDC

1.2 Ordering details

ACTpro-1500	V54502-C111-A100	Single door IP Controller
ACTpro-15002A	V54502-C143-A100	Single door IP Controller with 2A 12V DC PSU
ACTpro-1500PoE	V54502-C112-A100	Single door IP Controller with PoE++ PSU

ACTpro-IOM	V54506-B100-A100	IO Module (8 Inputs and 8 Outputs)
-------------------	------------------	------------------------------------

1.3 Monitoring

All faults including Mains Present and Tamper are reported on the ACT Enterprise software and via the web browser on the ACTpro-1500, ACTpro-15002A and ACTpro-1500PoE controllers.

Mains present	The PSU MAINS PRESENT output, when available, is pre-wired to the MAINS PRESENT input.
Output Voltage	The PSU output voltage level is reported to the ACT Enterprise software and on the web browser.
Tamper	The enclosure lid is tamper monitored.

2 Installation

The ACTpro-1500 Controllers are for indoor installation only and must be installed as permanently connected equipment.

An external mains disconnect device must be fitted. Before installation, ensure that the mains supply to the controller is disconnected.

Mains power should be connected to ACTpro Controllers by a licensed electrician in accordance with local/national codes.

After installing an ACTpro controller, Vanderbilt recommend that you place the provided ferrite bead (a noise suppression device) around the Ethernet cable near the RJ45 connector to attain a desired level of electromagnetic compatibility (EMC).

2.1 ACTpro-1500

2.1.1 Mounting

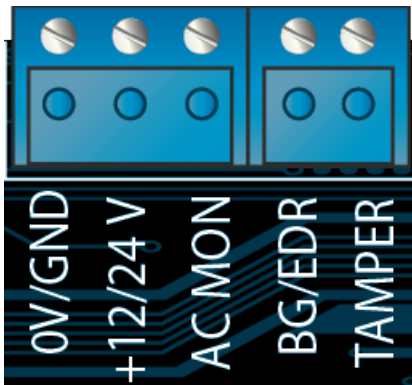
Mount the ACTpro Controller directly on to the wall with the supplied screws.

The keyed mounting hole should be screwed first to the wall to aid the mounting.

The unit should be installed in a ventilated area that allows for accessibility after installation.

2.1.2 Power supply

The ACTpro-1500 requires an external 12V DC or 24V DC power supply. The supply should be connected to the +12/24V DC and 0V/GND connections.



2.2 ACTpro-15002A

This unit is only suitable for installation as permanently connected equipment.

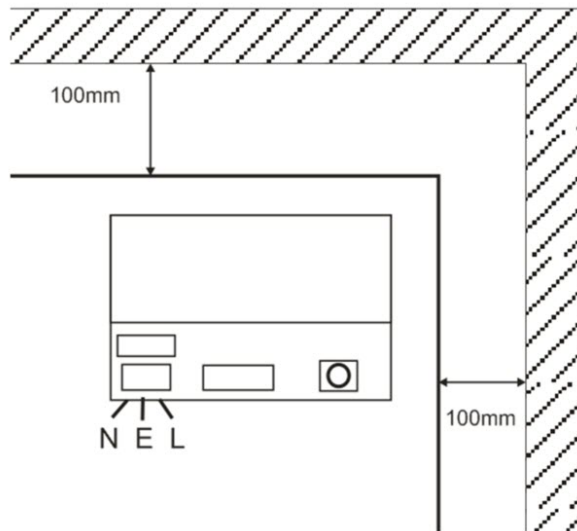


- The PSU is not suitable for external installation.
 - Equipment must be earthed.
-

Before installation, ensure that external disconnect device is OFF. The PSU should be installed via a 3A fused spur according to all relevant safety regulations applicable to the application.

2.2.1 Mounting

1. Mount securely in correct orientation allowing minimum clearance – see diagram.



2. Route mains and low voltage output cables via different knockouts and/or cable entry holes.
3. Use bushes and cable glands rated to UL94 HB minimum.

2.2.2 Mains power up

1. Attach correctly rated mains cable (minimum 0.5mm² [3A], 300/500V AC) and fasten using cable ties.
2. Apply mains power and:
 - Check for 13.8V DC on load outputs.
 - Check green Mains LED is on.
3. Disconnect mains power.

2.2.3 Load Output

1. Attach correctly rated load cable and fasten using cable ties. Note polarity.
2. Apply mains power and check green Mains LED is on.

Note: Red LED may be illuminated (dependent upon model) to indicate that no battery has been connected. This is normal.
3. Verify load is operating correctly.
4. Disconnect mains power.

2.2.4 Standby Battery

Note: Ensure batteries being fitted to this unit are in good condition

1. Connect battery leads to battery, ensuring correct polarity of battery connections. Vanderbilt recommend using a 7Ah battery.
2. Apply mains power and check that the green Mains LED is on.
3. Check there is no fault indication on Red LED (dependent on model).
4. Disconnect mains power.
5. Check that the batteries continue to supply voltage and current to the load.
The Green LED should be off.

Note: Batteries must have sufficient charge to supply the load.

6. Reconnect mains power.
Green LED should be on.
7. Remove Load fuse and check that the red Fault LED is on (dependent on model).

2.2.5 Tamper

A tamper condition is reported in software.

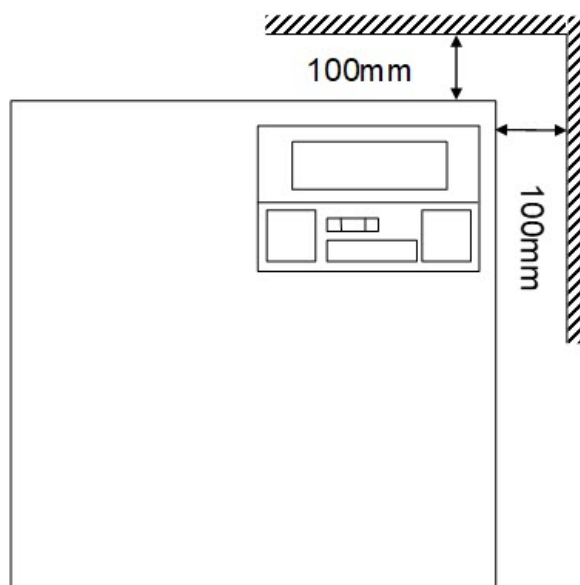
1. Check that the tamper switch is:
 - Closed when the enclosure is mounted on the wall, lid is closed, and the lid screw is fitted.
 - Open when the lid is open.
2. Close cover and secure using fastening screw(s) provided.

2.3 ACTpro-1500PoE

This unit must be fed from a compliant PoE (power over Ethernet) power source (PoE 802.3bt for 3A power output).

2.3.1 Mounting

1. Mount the boxed module securely using the enclosure mounting points in the correct orientation, allowing 100mm clearance around the enclosure – see diagram.



2. Route cables via knockouts and/or rear cable enclosure entry holes.

2.3.2 Power Up

1. Attach correctly rated load cable to load equipment and fasten using cable ties.
Note polarity.
2. Attach suitable Ethernet cable from PoE++ source to POE IN RJ45 connector (100m max from PSE).
3. Attach suitable Ethernet cable between IP device and DATA RJ45 connector (if required).
4. Connect charged 12V battery 7Ah to the other end of battery cable.

Note: Ensure correct polarity of battery connections: + use Red lead, - use Black lead.

5. Observe Green LED is ON when PoE is present.
6. Observe Load equipment indicates power is present.
7. Remove POE IN cable and observe load equipment continues to indicate power is present.
8. Reconnect PoE INPUT cable.

2.3.3 Troubleshooting

In the event of loss of PoE++ to the ACTpro-1500PoE, the PoE Fault signal contact will open and the Green LED will turn off, the ACTpro-1500PoE will continue to deliver up to 13.8V 3A of power to the load until the battery reaches its Deep Discharge protection limit.

If the output of the ACTpro-1500PoE fails, the cause of the failure should be investigated, for example, a short circuit load, or connection of a deeply discharged battery. The fault should be rectified before restoring power to the ACTpro-1500PoE. If any of the fuses require replacing, ensure the correct fuse rating and type is used. A spare fuse is supplied with the controller.

Battery charging will only start after a compliant PoE power source is connected to ACTpro-1500PoE, it will not start up on battery. Ensure only a healthy 12V battery is fitted to the system.

2.3.4 Tamper

A tamper condition is reported in software.

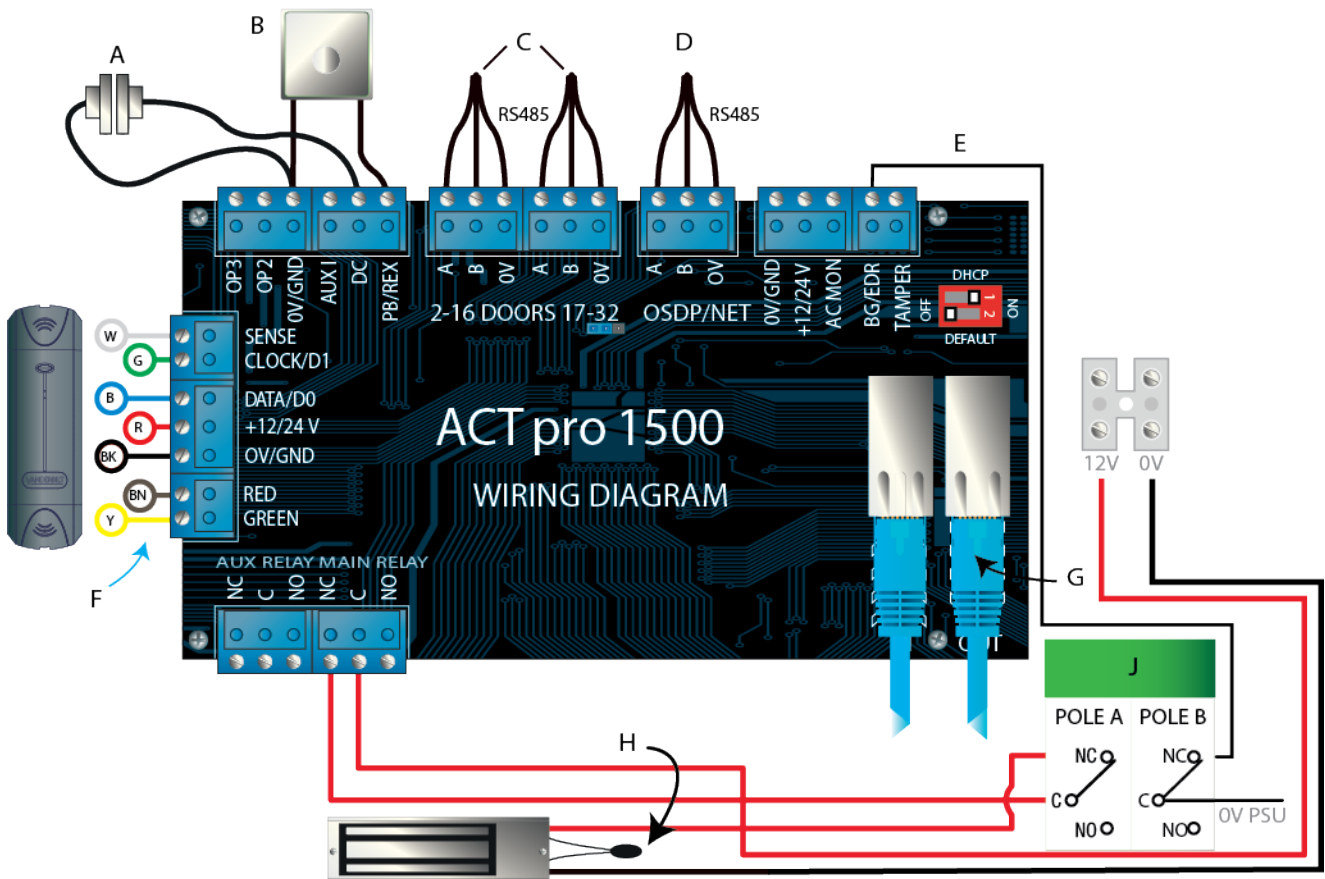
1. Check that the tamper switch is:
 - Closed when the enclosure is mounted on the wall, lid is closed, and the lid screw is fitted.
 - Open when the lid is open.
2. Close cover and secure using fastening screw(s) provided.

3 Wiring

This sections describes the following.

- 3.1 Typical wiring of ACTpro-1500 11
- 3.2 Wiring exit readers 12
- 3.3 Adding the OSDP EOL Jumper for OSDP Readers 12
- 3.4 Fire override configuration 12
- 3.5 Interlock/airlock configuration 13
- 3.6 Intruder panel wiring 14

3.1 Typical wiring of ACTpro-1500



Label	Description	Label	Description
A	Door contact, normally closed	F	ACT reader wire colour coding
B	Push to exit, normally open	G	Ethernet: RJ45
		Note: All IP device must have a valid IP Address.	

Label	Description	Label	Description
C	Door networks	H	Important: Place varistor across all lock terminals. Note: Diagram shows normally energised Magnetic Lock.
D	Controller network	J	Break glass unit (double pole)
E	Break glass monitoring, normally closed		

3.2 Wiring exit readers

For clock and data readers, wire exit readers in parallel but leave the sense line unconnected.

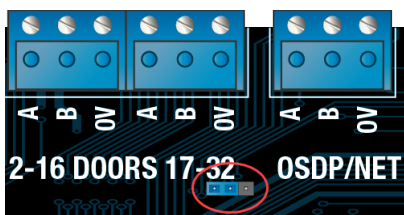
For Wiegand readers, wire the DATA 0 of the exit reader to SENSE on the ACTpro-1500.

Max length: 100m with 12V DC

Cable: 8 core screened Belden 9504 or equivalent

3.3 Adding the OSDP EOL Jumper for OSDP Readers

When attaching OSDP readers to the ACTpro-1500 family of controllers, ensure that the EOL jumper is on the last two pins (EOL position) on the last reader only.



Jumper location on ACTpro-1500 PCB



Jumper position for standard operation



Jumper position for OSDP operation



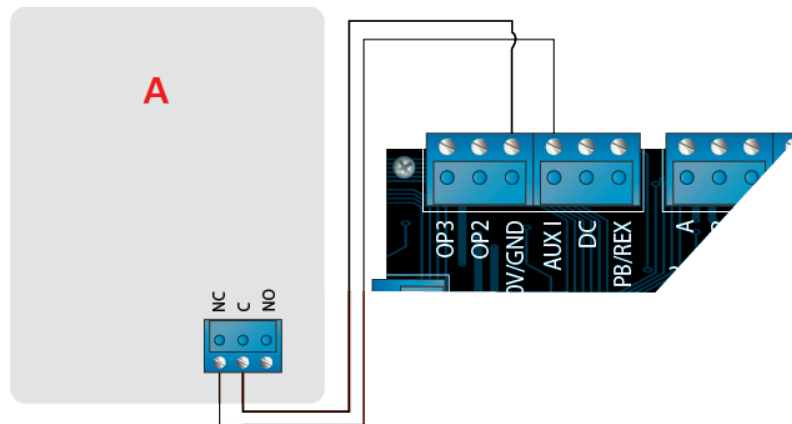
You cannot network ACTpro-1500 controllers when OSDP readers are attached.

3.4 Fire override configuration

To release doors on fire alarm activation:

1. In ACT Manage, configure a door group called **Fire Doors** that contains all fire doors, then select that group from the **Settings > Doors > Fire Override Doors** drop-down list.

2. Wire the fire alarm panel (A) to the ACTpro-1500 as shown:



While the 0V signal is maintained at the AUX input on Door 1, the doors in the **Fire Doors** group maintain normal operation.

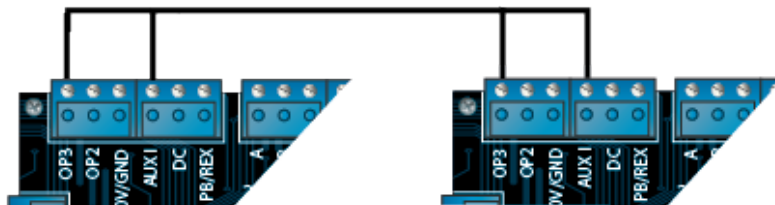
When the 0V signal is removed, the doors in the **Fire Doors** group are unlocked. The fire doors remain unlocked until the 0V signal is restored.

3.5 Interlock/airlock configuration

To allow only one door to open at a time:

1. Wire the airlock doors.

Link OP3 and AUX I for each new door. For example, the following diagram shows how to interlock two doors: when the first door is open, the second door is locked, and vice versa.



To interlock additional doors, continue linking OP3 and AUX I for each new door.

2. In ACT Install, for each airlock door, click **Advanced Setup > Doors > <Door name> > Operations**, select the **Interlock** check box, then click **Save**.

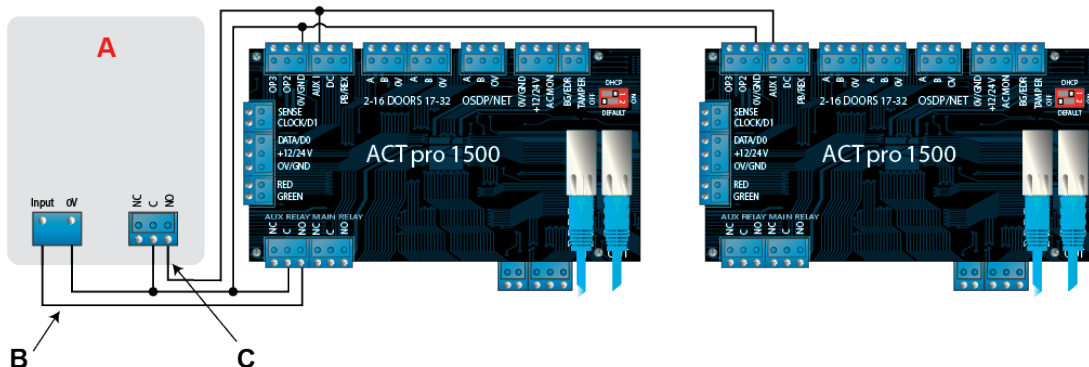
When **Interlock** is enabled on a door, the door is locked when the AUX input is active.

When the door is open, OP3 is active and pulls Aux I low (0V) on all interlock doors.

3.6 Intruder panel wiring

To arm/disarm an intruder panel:

1. Wire the intruder alarm panel to the ACTpro-1500 as shown:



A	Intruder alarm panel
B	Connect the AUX Relay output from the controller to arm input on alarm panel. The AUX Relay can be set to pulse or toggle. Toggle by programming the AUX Relay time to zero.
C	(Optional) Connect a signal from the alarm panel to indicate armed or disarmed status. If 0V is connected to AUX Input, the panel is armed.

2. Wire the door from which the system will be armed/disarmed.
3. Program the ACTpro controller:
 - a. In ACT Install, click **Advanced Setup > Doors > <Door name> > AUX Relay**, select the **Arm Intruder Panel** check box, then click **Save**.
 - b. If the alarm panel provides a signal to indicate its armed/disarmed status, then in ACT Install click **Advanced Setup > Doors > <door#> > Operations**, select the **Intruder Panel** check box, then click **Save**.
 - c. In ACT Manage, for each user that will be allowed to arm and disarm the panel, click **Manage > Users > <User name> > Options**, select the **Arm/Disarm** check box, then click **Save**.

Note: Make sure the user is enabled.
4. To arm the system, a user with arm/disarm rights should press the tick key on the keypad then present their card. Once the intruder panel is armed (as monitored by the AUX I PIN), the Door will lock.
5. To disarm the system, a user with arm/disarm rights should press the tick key on the keypad then present their card.

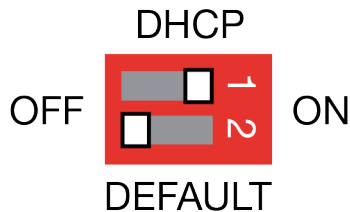


If multiple doors should lock when the intruder panel is armed then each door must monitor the alarm status.

If the intruder panel is not being monitored then only the door that is wired to control the intruder panel will lock.

4 Defaulting the Controller and IP Address Configuration

The ACTpro-1500, ACTpro-15002A and ACTpro-1500PoE have two DIP switches.



- DIP switch 1: DHCP
Enables DHCP or Static IP address mode.
- DIP switch 2: DEFAULT
Defaults the controller or the Static IP address.

4.1 Factory default the Controller (DIP switch 2)

The ACTpro Controller may be defaulted to factory settings. This will completely erase the controller memory. All information including card details will be erased and the static IP address will be reset to 192.168.1.60.

To default the ACTpro Controller:

1. Power down the ACTpro Controller.
2. Set the **DEFAULT** DIP switch 2 to **ON**.
3. Hold down the Tamper spring.
4. Apply power to the ACTpro Controller.
5. Wait approximately 5 seconds, until the controller confirms default completed by sounding the buzzer.
6. Release the Tamper.
7. Power down the ACTpro Controller.
8. Set the **DEFAULT** DIP switch to **OFF**.
9. Re-apply power.

4.2 DHCP/static IP addressing (DIP switch 1)

The ACTpro Controller is shipped with the DHCP enabled and can be configured to obtain an IP address from a DHCP server or use a static IP address.

1. Power down the ACTpro Controller.
2. Set the DIP switch to its new position.
 - a. DHCP IP addressing: Move DIP switch 1 to **ON**
 - b. Static IP addressing: Move DIP switch 1 to **OFF**

Note: Default static IP address is **192.168.1.60**.

3. Re-apply power to the board.

4.3 Defaulting the static IP address

The static IP address can be reset to the default value of 192.168.1.60.

1. Power down the ACTpro Controller.



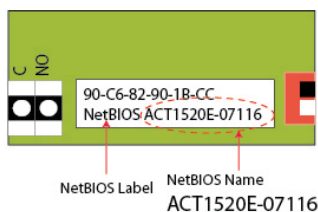
Ensure nothing is connected to the tamper input terminal and the tamper spring is not pressed, otherwise the following steps will factory default the controller losing all information.

2. Set the DHCP DIP switch 1 to **OFF**.
3. Set the DEFAULT DIP switch 2 to **ON**.
4. Re-apply power.
5. Wait approximately 5 seconds, until the controller confirms default completed by sounding the buzzer.
6. Remove power.
7. Set the DEFAULT DIP switch 2 to **OFF**.
8. Re-apply power.

Note: The static IP address can be changed via the web interface or using ACT Software.

4.4 Changing static IP address on the ACTpro Controller

1. Connect ACTpro Controller to the IP network.
2. Open a web browser on a PC (for example, Microsoft Internet Explorer, Google Chrome, etc.).
3. Enter `http://<NetBIOS address>`, e.g. `http://ACT1520E-07116`



4. Logon details:
Username: *installer*
Password: 999999
5. Choose Communication menu and set the following:
 - **Static IP Address**
 - **Network Mask**
 - **Default Gateway**

6. Press **Save**.

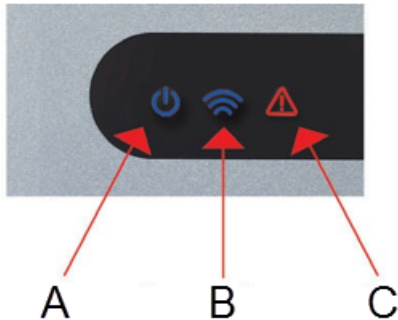
Note: Use the new IP address when connecting to the controller.

Controller Address	1
Static IP	192.168.1.60
Network Mask	255.255.255.0
Default Gateway	192.168.1.254
MAC Address	90:c6:82:90:1b:cc
NetBIOS Name	ACT 1520E-07116
TCP Port Num 1	10001
TCP Port Num 2	10003
DHCP Enabled	Enabled
DHCP Address	172.27.1.82

5 Status Indicators

5.1 ACTpro-1500

Status indicators appear on the front of the ACTpro-1500 Door Controller.



The meaning of each indicator is described below.



(A) Power / System Running

This indicates that the ACTpro Controller has power.



(B) Communications

Constant illumination indicates that all enabled door stations are online.

Flashing indicates that one or more door stations are offline.



(C) Fault

Illuminates to indicate a fault on the system.

Possible causes are:

- Tamper open: ACTpro Controller housing is not closed.
- Break Glass: ACTpro Controllers provide a method to monitor an Emergency break glass switch via the B/GL input. The fault LED will illuminate if the Emergency break glass switch is activated.
- Mains Fault: ACTpro-1500 Controller will accept a mains present signal from a PSU (pre-wired on ACTpro-1500). This is wired into MAINS PRESENT input on the PCB. When the PSU has no mains supply the fault is active.
- Door Station offline: When one or more enabled door stations are not communicating with the ACTpro Controller the Fault LED illuminates and the appropriate network green LED on the PCB will flash.
- Low Supply Voltage: When voltage to the +12V terminal is less than +9V.
- Fuse Blown: The +12V output on the READER terminals is current limited to provide short circuit protection. The Fault LED will illuminate if too much current is drawn from this connection.

5.2 ACTpro-15002A and ACTpro-1500PoE



Fault indication



Mains present



© Vanderbilt 2019

Data and design subject to change without notice.

Supply subject to availability.

Document ID: A-100535-c

Edition date: 15.03.2019

VANDERBILT

vanderbiltindustries.com

 @VanderbiltInd

 Vanderbilt Industries

Issued by **Vanderbilt International Ltd.**
Clonshaugh Business and Technology Park
Clonshaugh, Dublin D17 KV 84, Ireland

 vanderbiltindustries.com/contact