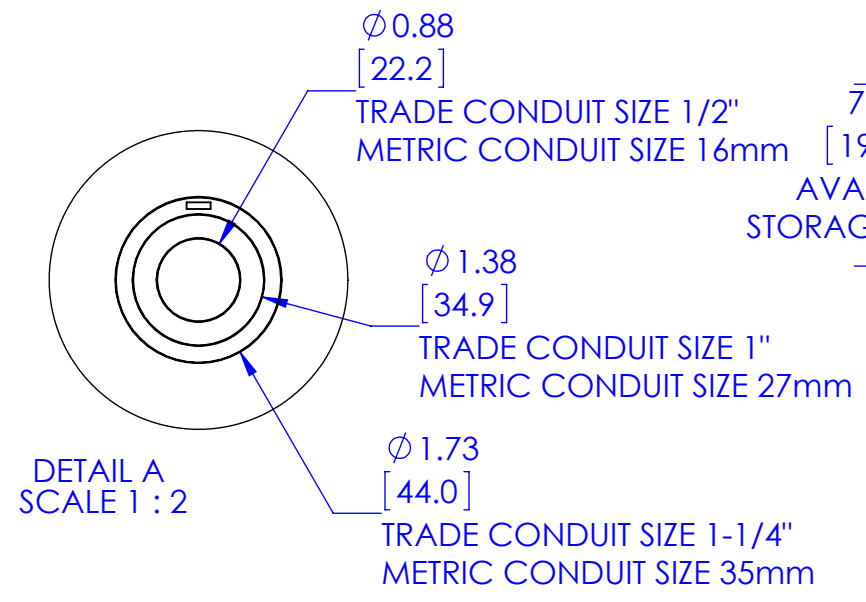
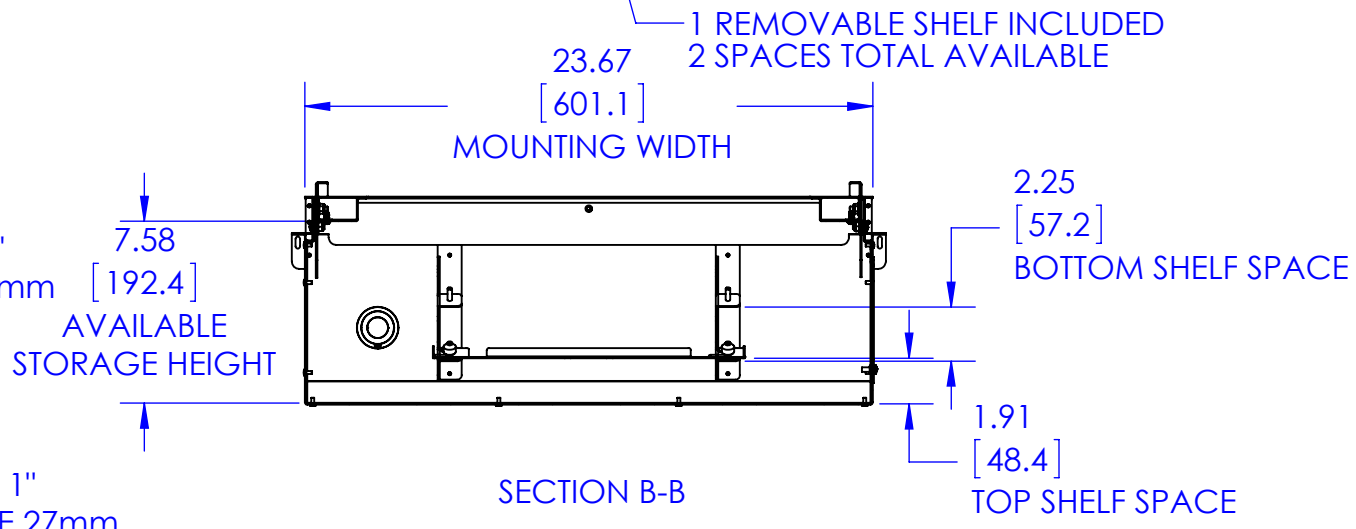


- ELECTRICAL INSTALL PLATE SPACE FOR
1. A SINGLE GANG OUTLET
  2. DUAL GANG OUTLET
  3. PASS THROUGH FOR DUAL GANG OUTLET ATTACHED TO 1/2" CONDUIT



THE INFORMATION AND DESIGNS CONTAINED IN THIS DRAWING ARE CONFIDENTIAL AND THE PROPRIETARY PROPERTY OF MILESTONE AV TECHNOLOGIES NEITHER THIS DESIGN NOR ANY INFORMATION CONTAINED IN THIS DRAWING MAY BE REPRODUCED OR DISCLOSED TO OTHERS WITHOUT THE EXPRESS WRITTEN CONSENT OF MILESTONE AV TECHNOLOGIES.

CAD GENERATED DRAWING, DO NOT MANUALLY UPDATE.			6436 CITY WEST PKWY EDEN PRAIRIE MN, 55344 PHONE: 866-977-3901 FAX: 877-894-6918	
DRAWN BY	HEF 3/25/2014		DESCRIPTION <b>1 X 2 CEILING ENCLOSURE</b>	
ENG APPROVAL		MODEL NO. <b>CMS491</b>		
MFG APPROVAL		SCALE	SIZE	DWG. NO.
QA APPROVAL		SHEET 1 OF 1	1:8	B TECH-000572
				REV. 00