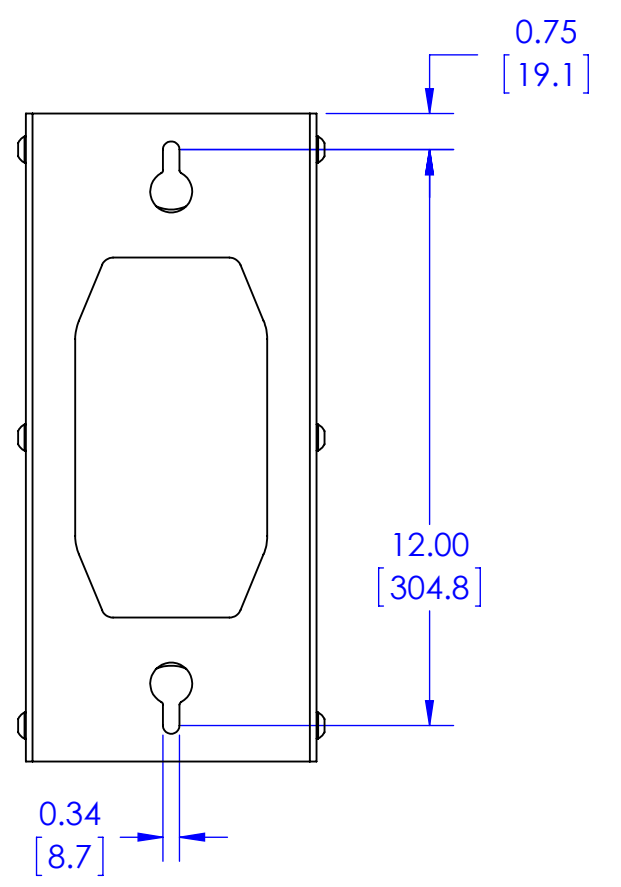
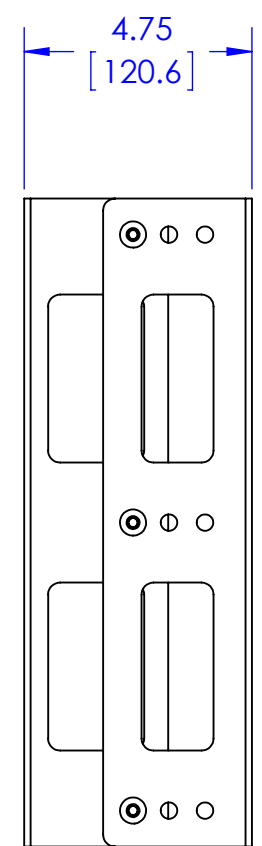
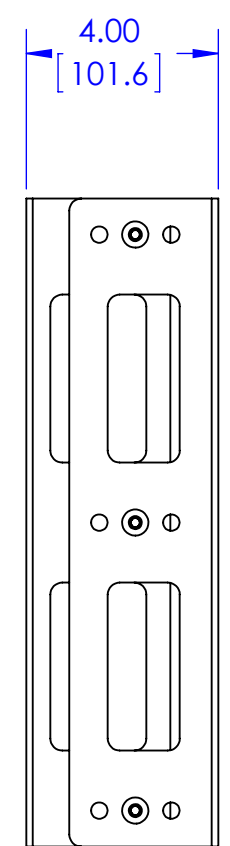
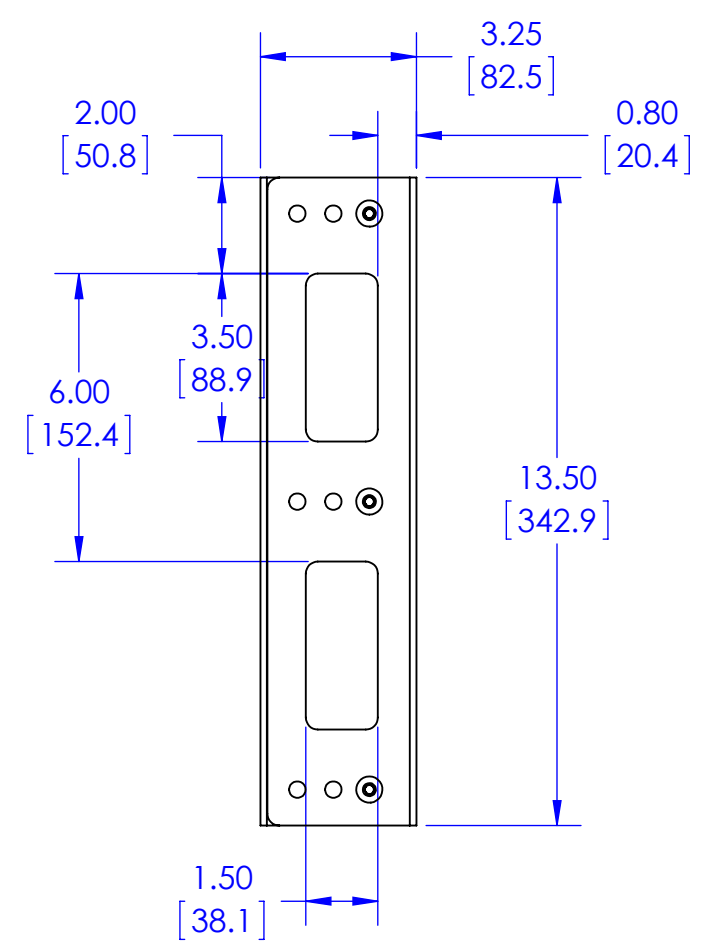
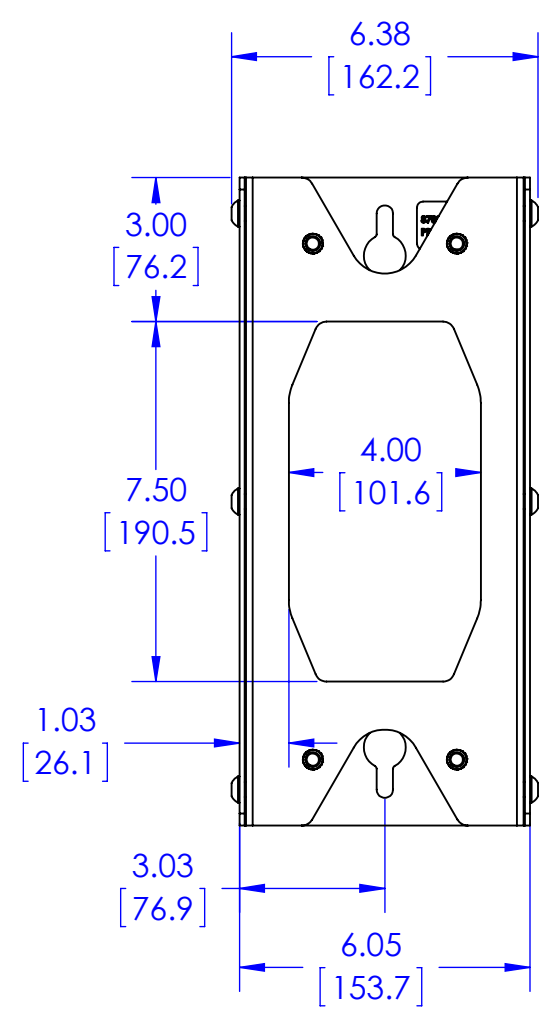


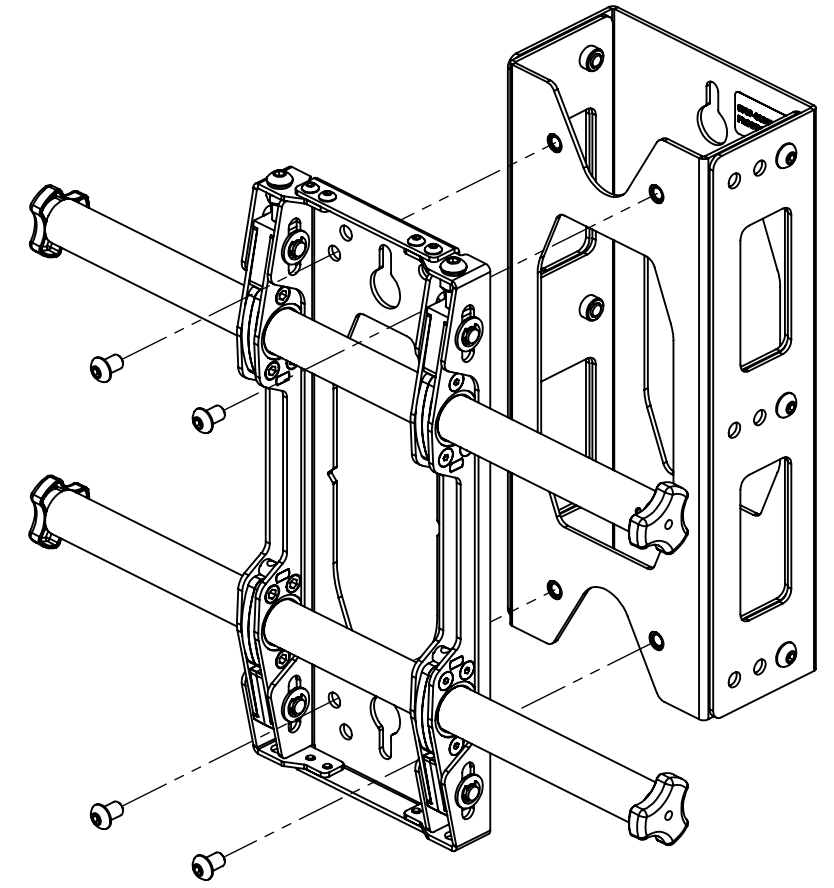
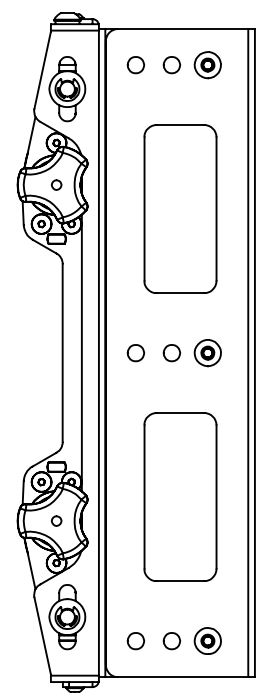
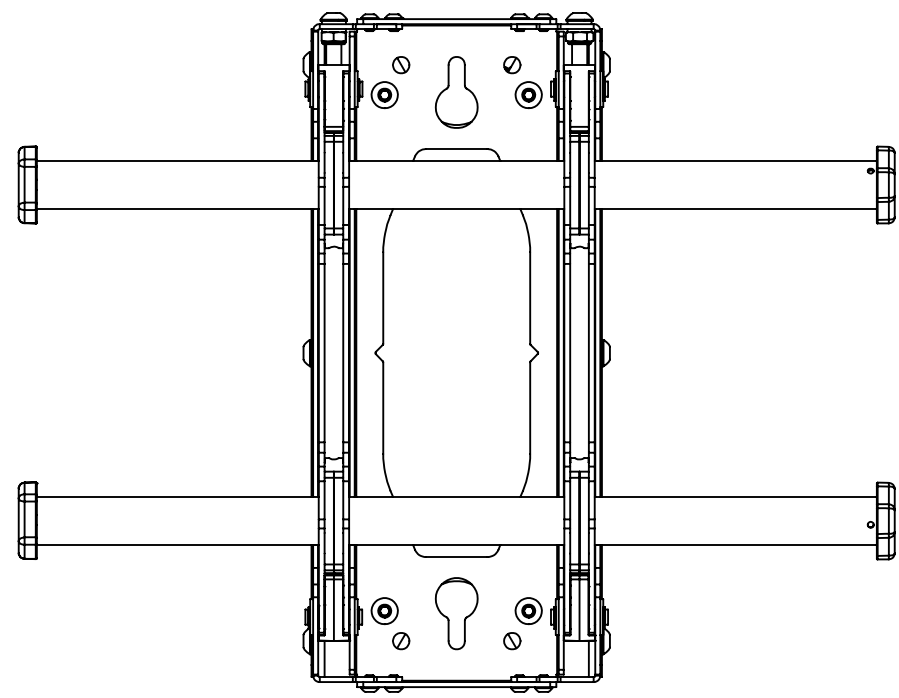
D  
C  
B  
A

D  
C  
B  
A




**THE INFORMATION AND DESIGNS CONTAINED IN THIS DRAWING ARE CONFIDENTIAL AND THE PROPRIETARY PROPERTY OF MILESTONE AV TECHNOLOGIES NEITHER THIS DESIGN NOR ANY INFORMATION CONTAINED IN THIS DRAWING MAY BE REPRODUCED OR DISCLOSED TO OTHERS WITHOUT THE EXPRESS WRITTEN CONSENT OF MILESTONE AV TECHNOLOGIES.**

CAD GENERATED DRAWING, DO NOT MANUALLY UPDATE.			6436 CITY WEST PKWY EDEN PRAIRIE MN, 55344 PHONE: 866-977-3901 FAX: 877-894-6918	
DRAWN BY	JAB	9/8/2016		
ENG APPROVAL			DESCRIPTION <b>DEPTH ADJUST ACCESSORY</b>	
MFG APPROVAL			MODEL NO. <b>FCADA</b>	
QA APPROVAL			SIZE <b>B</b>	DWG. NO. <b>TECH-000832</b>
SHEET 1 OF 2			SCALE <b>1:4</b>	REV. <b>00</b>



**SHOWN WITH MTMS1U  
SOLD SEPARATELY**

**THE INFORMATION AND DESIGNS CONTAINED IN THIS DRAWING ARE CONFIDENTIAL AND THE PROPRIETARY PROPERTY OF MILESTONE AV TECHNOLOGIES NEITHER THIS DESIGN NOR ANY INFORMATION CONTAINED IN THIS DRAWING MAY BE REPRODUCED OR DISCLOSED TO OTHERS WITHOUT THE EXPRESS WRITTEN CONSENT OF MILESTONE AV TECHNOLOGIES.**

CAD GENERATED DRAWING, DO NOT MANUALLY UPDATE.			 6436 CITY WEST PKWY EDEN PRAIRIE MN, 55344 PHONE: 866-977-3901 FAX: 877-894-6918		
DRAWN BY	JAB	9/8/2016	DESCRIPTION		
ENG APPROVAL			DEPTH ADJUST ACCESSORY		
MFG APPROVAL			MODEL NO.		
QA APPROVAL			FCADA		
SHEET 2 OF 2		SCALE	SIZE	DWG. NO.	REV.
		1:4	B	TECH-000832	00