

# GEKO IRN

LED ILLUMINATOR



IP66

IP67

IK10

TYPE  
4X



GEKO IRN 24VAC/12-24VDC WHITE LIGHT

## DESCRIPTION

The GEKO lights the entire scene evenly, eliminating hotspots and underexposures, for unbeatable night-time images and secure surveillance of the area.

The high efficiency heat sink body ensures maximum LED durability and protection against over-temperatures, whereas the front glass, made of special technopolymer, provides high infrared transmittance.

The illuminators are protected against electrostatic discharges.

The illuminator is available in versions 24Vac/12-24Vdc or 100-240Vac with integrated power supply.

GEKO is supplied with a wall-mount bracket that rotates horizontally and vertically.

*The GEKO infrared illuminator guarantee is 5 years, while for GEKO with the white light is 2 years.*



GEKO IRN 24VAC/12-24VDC



GEKO IRN 24VAC/12-24VDC

## MAIN FEATURES

High efficiency ultimate SMD LED technology

High efficiency heat sink body to ensure maximum LEDs durability

Strong aluminium structure

Vandal-proof protection (IK10)

The illuminator is supplied in 12-24Vdc/24Vac or 100-240Vac

Beam patterns: 10°, 30°, 60°

Wavelengths: 850nm, 940nm, white light

Average power consumption at working state: 30W

Adjustable light intensity

Adjustable built-in photocell

VOLT-free relay input for external activation

VOLT free relay output for Day/Night camera

Supplied with a wall-mount bracket

IP66/IP67

## TECHNICAL DATA

### GENERAL

Supplied complete with support  
Adjustable built-in twilight sensor for automatic activation and deactivation  
LED SMD

### MECHANICAL

Die cast aluminum body  
Dimensions: 187x251x242mm (7.4x9.9x9.5in)  
Unit weight:  

- 1.7kg (3.7lb) (from 12Vdc up to 24Vdc, 24Vac)
- 2.2kg (4.8lb) (from 100Vac up to 240Vac)

### ELECTRICAL

Supply voltage/Current consumption:  

- from 12Vdc up to 24Vdc, 2.5A max
- 24Vac, 2.5A max, 50/60Hz
- from 100Vac up to 240Vac, 1.5A max, 50/60Hz

Power supply voltages permitted tolerance:  

- from 100Vac up to 240Vac:  $\pm 10\%$
- 24Vac or 24Vdc:  $\pm 10\%$
- 12Vdc:  $\pm 5\%$

Input for activation by means of external dry contact  
Dry contact output (Follow)  
Multipolar cable L: 2m (6.56ft)  

- Control: 4x0.34mm<sup>2</sup> (22AWG)
- Power supply from 12Vdc up to 24Vdc, 24Vac: 2x0.75mm<sup>2</sup> (18AWG)
- Power supply from 100Vac up to 240Vac: 3x0.75mm<sup>2</sup> (18AWG)

## ENVIRONMENT

For indoors and outdoors installation  
Operating temperature: from -40°C (-40°F) up to +60°C (140°F)  
Relative humidity: from 5% up to 95%

## CERTIFICATIONS

Electrical safety (CE): EN60950-1, IEC60950-1, EN62368-1, IEC62368-1  
Electromagnetic compatibility (CE): EN50130-4, EN55032 (Class A), EN61000-6-4  
Electromagnetic compatibility (North America): FCC part 15 (Class A), ICES-003 (Class A)  
Outdoor installation (CE): EN60950-22, IEC60950-22  
Photobiological safety (CE): EN62471, IEC62471  
IP protection degree (EN60529): IP66, IP67  
IK protection degree: IK10  
UL certification (UL60950-1, CAN/CSA C22.2 No. 60950-1-07): cULus Listed  
Level of protection Type (UL50E): 4X  
EAC certification  
Restriction of Hazardous Substances (RoHS), Directive 2011/65/EU  
Waste Electrical and Electronic Equipment (WEEE), Directive 2012/19/EU

## PACKAGE

Model Number	Weight	Dimensions (WxHxL)	Master carton
IRN10B8AS00	3kg (6.6lb)	30x24x16cm (12x9.5x6.3in)	-
IRN10A8AS00	3.5kg (7.7lb)	30x24x16cm (12x9.5x6.3in)	-

## GEKO IRN - BEAM PATTERN AND ACHIEVABLE DISTANCES FOR ONE ILLUMINATOR

Horizontal and vertical beam patterns	Maximum distance		
	850nm	940nm	White light
10°	240m (787ft)	140m (460ft)	-
30°	130m (427ft)	80m (262ft)	120m (393ft) <sup>1</sup>
60°	80m (262ft)	60m (197ft)	90m (295ft) <sup>1</sup>

<sup>1</sup> Achievable distances with camera in Day mode (colour image)

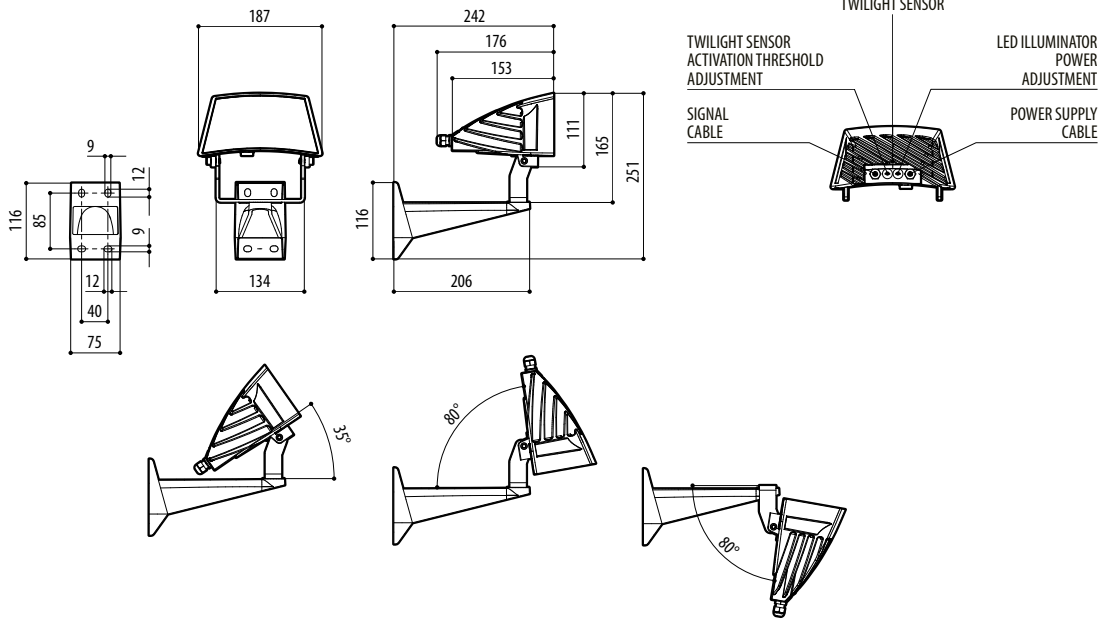
The distances and the performance depend on the camera/lens used and on the environmental conditions.

## GEKO IRN - CONFIGURATION OPTIONS

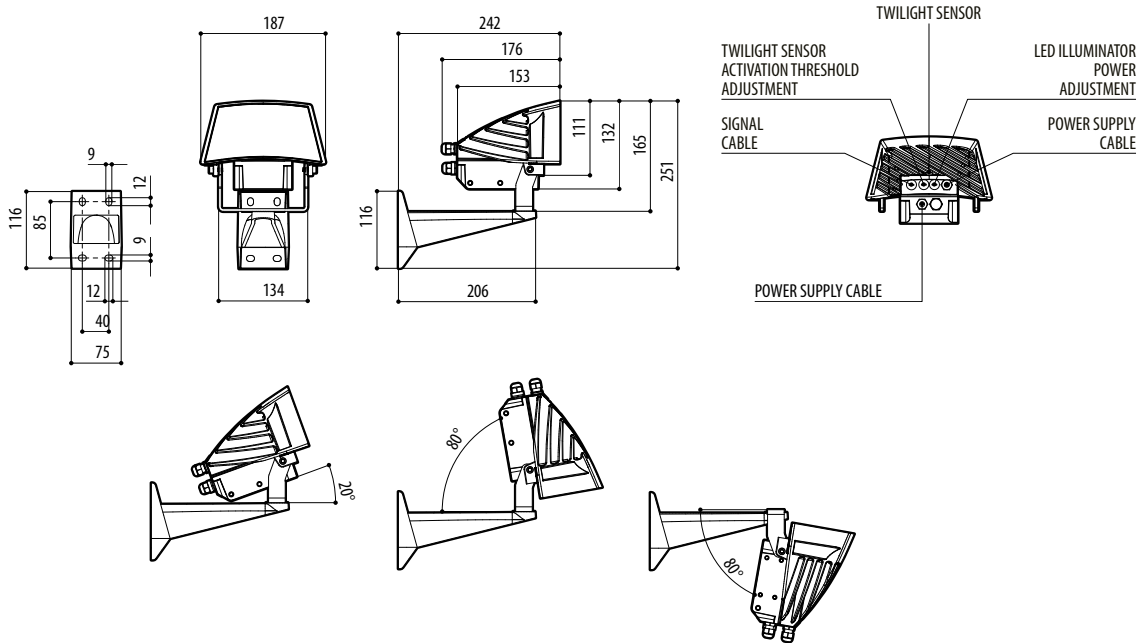
	Beam patterns	Power supply	Wavelength		Version	
<b>IRN</b>	<b>10</b> Narrow	<b>A</b> 90-240Vac	<b>8</b> 850nm	<b>A</b>	<b>S</b> Single illuminator	<b>00</b>
	<b>30</b> Medium	<b>B</b> 12-24Vdc, 24Vac	<b>9</b> 940nm			
	<b>60</b> Wide		<b>W</b> White light			

## TECHNICAL DRAWINGS

The indicated measurements are expressed in millimetres.



GEKO IRN (FROM 12VDC A 24VDC, 24VAC).



GEKO IRN (FROM 100VAC A 240VAC).