



## OWB-2G/65/EU Quick Start

This guide helps you install and use your product for the first time. For more detailed information, go to [http://www.kramerav.com/manual/On-Wall Box \(EU\)](http://www.kramerav.com/manual/On-Wall Box (EU)) or scan the QR code on the left.

### Step 1: Check what's in the box

✓ The **OWB-2G/65/EU** On-wall Box

✓ 2 gang metal frame for four inserts

✓ Wall mounting kit

### Step 2: Overview

The **OWB-2G/65/EU** is a white plastic wall-box for mounting four Kramer inserts or a 2 gang European wall plate. The box is mounted on the wall for applications where in-wall installation is not possible.

The **OWB-2G/65/EU** is 65mm deep allowing sufficient space to prevent damage to connectors (such as HDMI connectors) when connecting the rear side of the insert or wall plate.

### Step 3: Installing the OWB-2G/65/EU

To mount the **OWB-2G/65/EU** to a wall or other surface, do the following:

If you want to feed the cables to the **OWB-2G/65/EU** from any of the four sides, carefully break the knock-off holes where appropriate (knock-off holes are shown as gray dotted lines in the illustrations below).

Feed the cables from the rear/sides of the **OWB-2G/65/EU** out through the front.

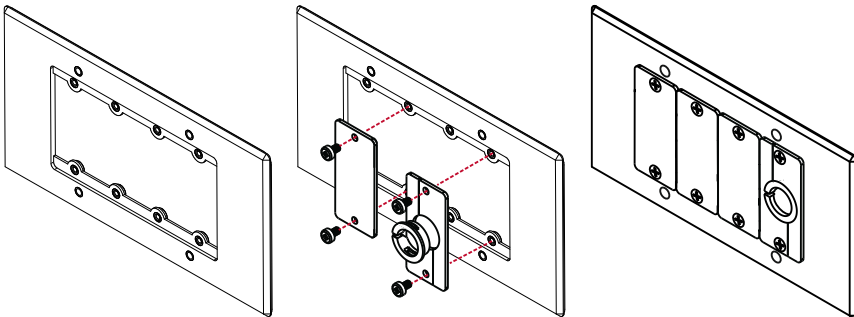
Hold the **OWB-2G/65/EU** in position against the wall or surface on which it is to be mounted, taking care that the **OWB-2G/65/EU** is level, and attach it using the wall mounting kit.

**You can install either four inserts or a 2 gang European wall plate.**

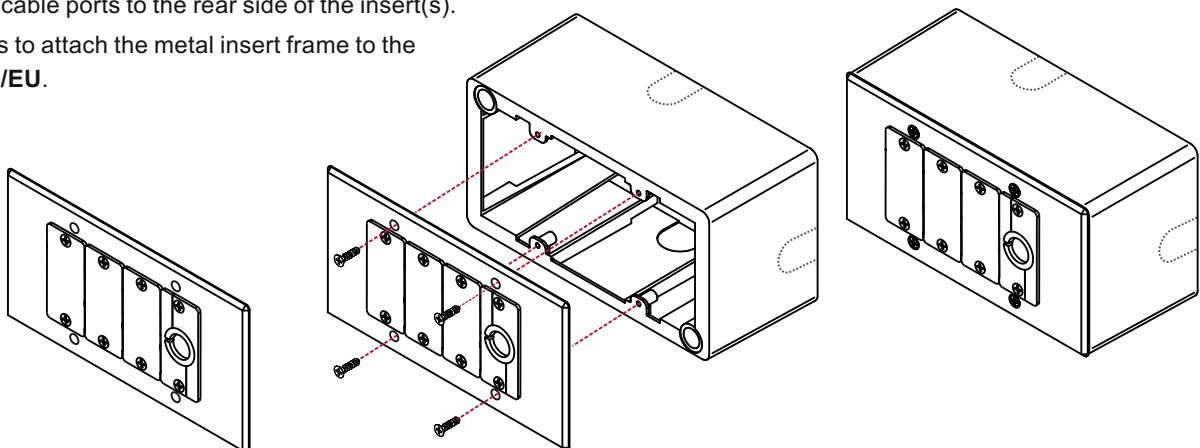
#### Installing the Inserts

To install the inserts onto the **OWB-2G/65/EU**, do the following:

1. Mount the inserts onto the supplied metal frame (inserts are **not included** and can be purchased separately).



2. Connect the cable ports to the rear side of the insert(s).
3. Use 4 screws to attach the metal insert frame to the **OWB-2G/65/EU**.

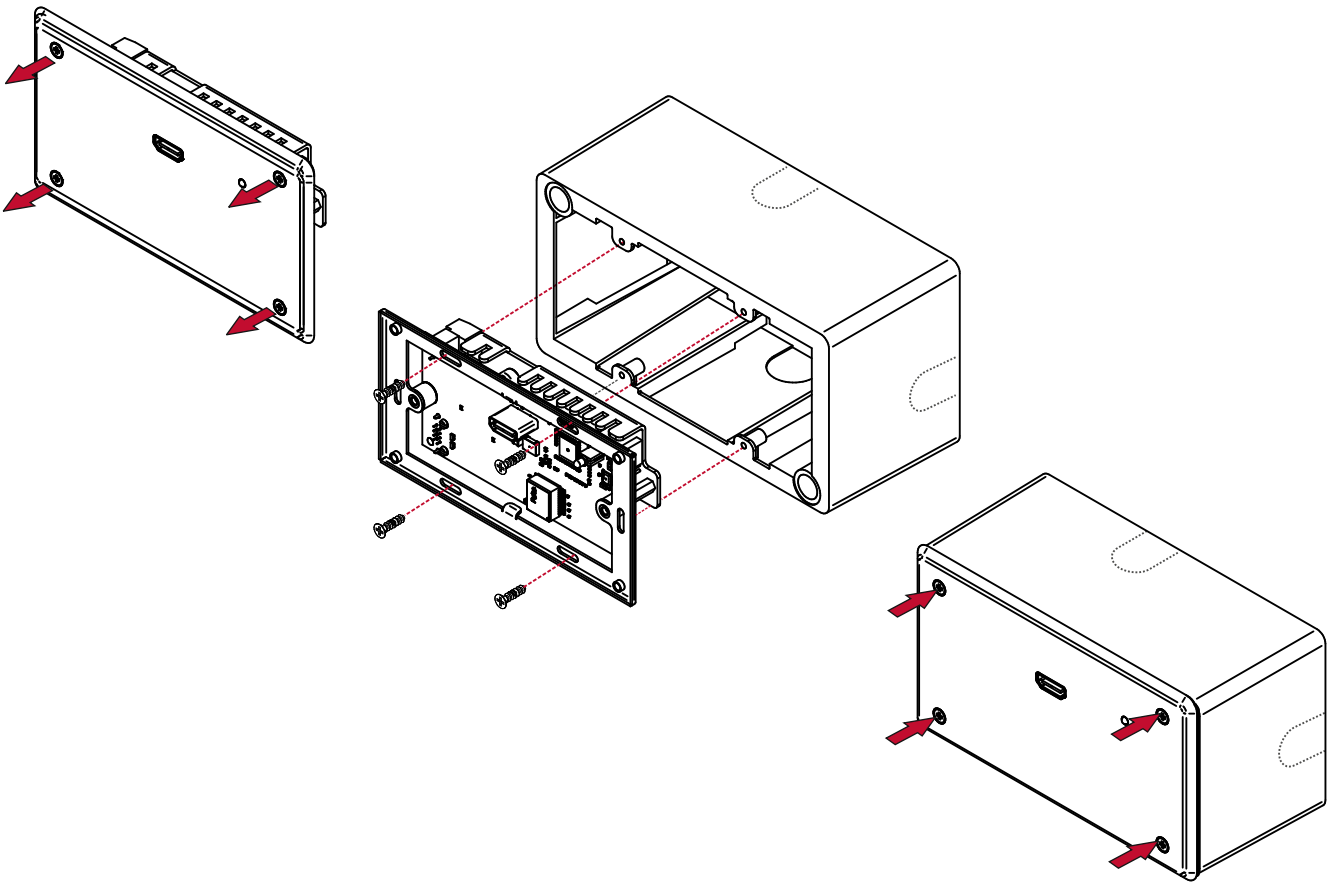


---

## Installing a 2 Gang Wall Plate

To mount a wall plate onto the **OWB-2G/65/EU**, do the following:

1. Connect the cables to the relevant connections on the wall plate.
2. Remove the 4 screws securing the face plate of the wall plate.  
Put the face plate and screws aside.
3. Insert the wall plate into the **OWB-2G/65/EU** and secure the wall plate with 4 screws to the **OWB-2G/65/EU**.
4. Replace the face plate removed in Step 2 and secure it with the screws.



---

## Specifications

DIMENSIONS:	15.1cm x 6.7cm x 8.2cm (5.94" x 2.64" x 3.23"), W, D, H
WEIGHT:	0.11kg (0.24lbs) approx.
INCLUDED ACCESSORIES:	2 gang metal frame with four 3x12 flathead screws Wall mounting kit (two flat washers, two plug anchors size 6 and two #8x1.5 pan-head wall-mounting screws)
OPTIONS:	Kramer inserts and 2 gang European wall plates