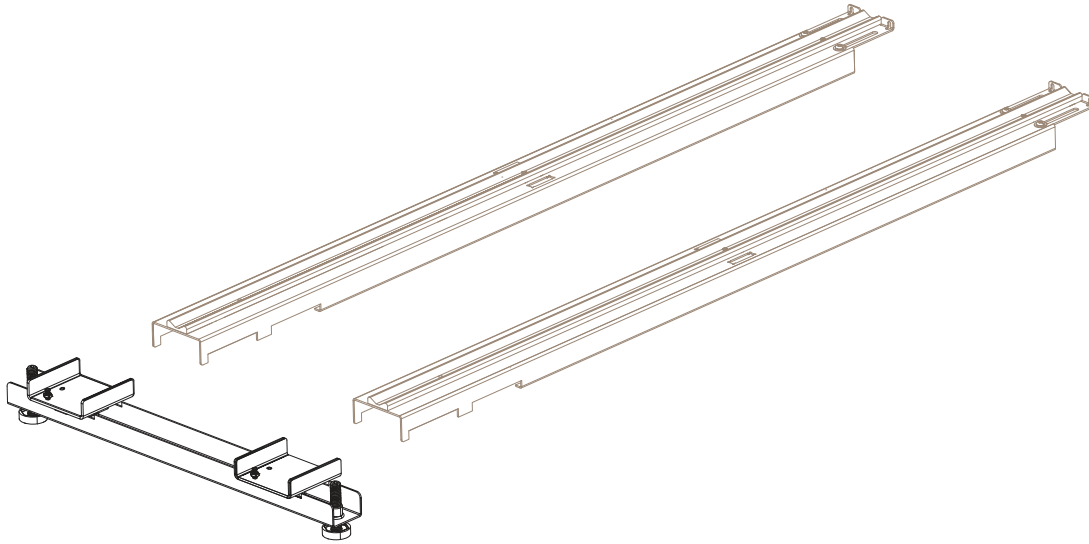


# INSTRUCTION SHEET

## TRACKL SERVICE STAND



**NOTE:** TRACKL service stand  
pictured with TRACK50 service tracks  
(not provided).

### THANK YOU

Thank you for purchasing the TRACKL service stand. Please read these instructions thoroughly before installing or assembling this product.

## IMPORTANT SAFETY INSTRUCTIONS

- Read these instructions.
- Heed all warnings.
- Clean only with dry cloth.
- Keep these instructions.
- Follow all instructions.
- Only use attachments/accessories specified by the manufacturer.



**WARNING:** A warning alerts you to a situation that could result in serious personal injury or death.



**WARNING:** Middle Atlantic Products, Inc. electrical systems conform to and should be properly grounded in compliance with requirements of the current National Electrical Code or codes administered by local authorities. All electrical products may present a possible shock or fire hazard if improperly installed or used. Middle Atlantic Products, Inc. electrical products may bear the mark of a Nationally Recognized Testing Laboratory (NRTL) and should be installed in conformance with current local and/or the National Electrical Code.



**WARNING:** Failure to read, understand and follow the following information can result in serious personal injury, damage to the equipment or voiding of the warranty. It is the responsibility of the Installer/User to ensure that this product is loaded according to specifications.

## INSTRUCTIONS IMPORTANTES SUR LA SÉCURITÉ

- Lire ces instructions.
- Respectez tous les avertissements.
- Nettoyer uniquement avec un chiffon sec.
- Conservez ces instructions.
- Suivez toutes les instructions.
- N'utilisez que des accessoires spécifiés par le fabricant.



**AVERTISSEMENT:** Un avertissement vous avertit d'une situation pouvant entraîner des blessures graves ou la mort.

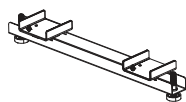


**AVERTISSEMENT:** Middle Atlantic Products, Inc. électrique systèmes conformes à devraient être mis à la terre dans conformité avec les exigences de la National actuelle ou comme les codes électrique administré par les autorités locales autorités. Tous les produits électriques peuvent présenter un choc ou un incendie danger si elle est mal installé ou utilisé. Middle Atlantic Products, Inc. produits électriques peuvent porter la marque d'un Nationally Recognized Testing Laboratory (NRTL) et doit être installé en conformité avec courant local et/ou le National Electrical Code.



**AVERTISSEMENT:** Refus de lire, comprendre et suivre la renseignements suivants peut traduire par de graves blessures, des dommages à l'équipement ou invalider la garantie. Il est la responsabilité de l'installateur / utilisateur de s'assurer que ce produit est chargé conformément aux spécifications.

## SUPPLIED COMPONENTS AND HARDWARE



Service Stand  
A



(4x) 10-32  
Track Screws  
B

**NOTE:** Additional hardware is included that may not be required for your installation.

## REQUIRED TOOLS

- Hex Balldriver (Provided)
- Hex Key (Provided)
- Slotted Screwdriver



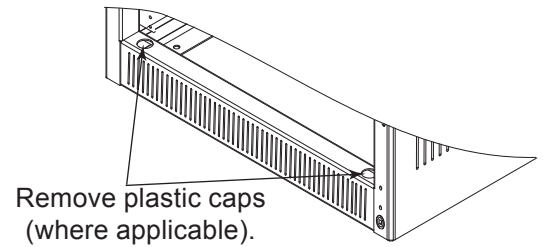
**WARNING:** Use tools with caution and follow all necessary safety protocols.

**AVERTISSEMENT:** Utiliser des outils avec prudence et suivre tous les protocoles de sécurité nécessaires.

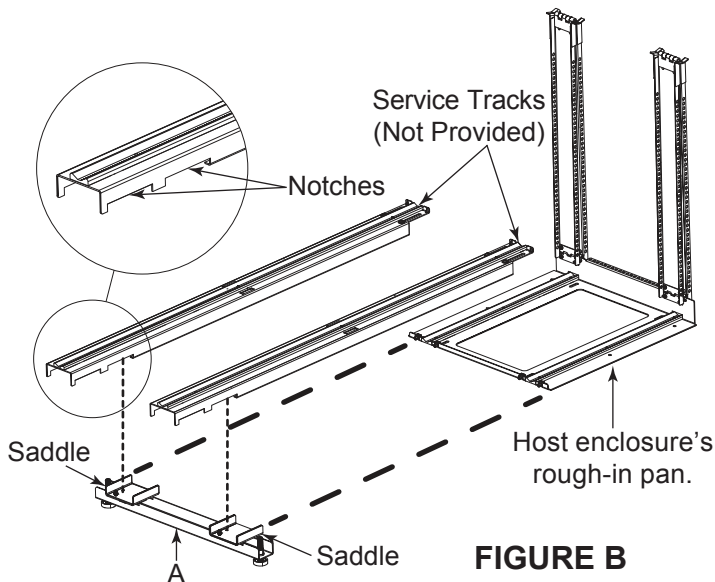
## INSTALLATION

### NOTE:

- Remove shipping brackets, rear shipping wood, and discard as explained in "AXS Series In-Host Enclosure Unpacking Instructions" (I-00307) at [www.middleatlantic.com](http://www.middleatlantic.com).
- Before you begin, the enclosure must be made plumb and level using the leveling feet provided with your enclosure.
- Where applicable, remove plastic caps at the base of the enclosure using a slotted screwdriver. (**FIGURE A**)



**FIGURE A**



**FIGURE B**

1. Adjust service stand (A) to approximate height of host enclosure's rough-in pan as shown. (**FIGURE B**)
2. Position notched end of each service track into the service stand saddles.



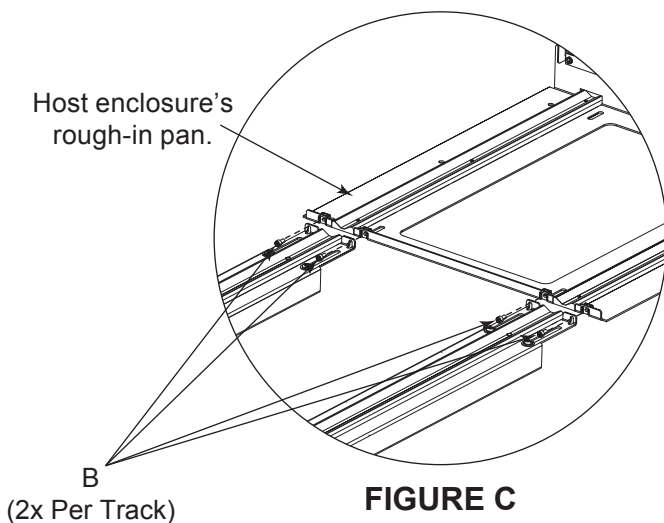
**CAUTION:** Be sure notched ends are fully seated in service stand saddles to prevent tracks from falling out.

**ATTENTION:** Soyez extrémités entaillées sûr sont bien enfoncées dans les selles de stand de service pour éviter pistes de tomber.

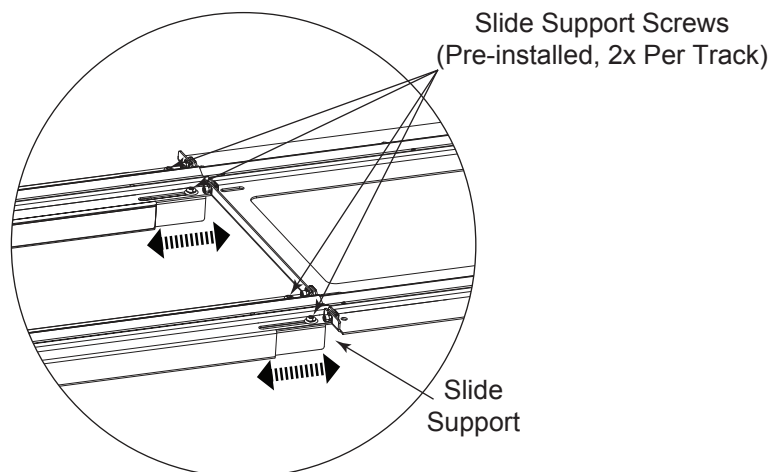
3. Position opposite end of each service track to the host enclosure's rough-in pan. (**FIGURE B**)

4. Use the hex balldriver provided and (2x) 10-32 track screws (B) to secure each track to the host enclosure's rough-in pan. (**FIGURE C**)
5. Use the hex key provided to adjust the service stand leveling feet and use the levels installed in the service tracks as guides.
6. Loosen (do not remove) pre-installed slide support screws on the service tracks (2x per service track) to extend the slide supports to meet the host enclosure. Tighten the slide support screws after making your adjustment. (**FIGURE D**)

**NOTE:** The slide support adjustment strengthens the service tracks when extending heavy equipment for service.



**FIGURE C**



**FIGURE D**

## **WARRANTY**

For warranty information, refer to <http://www.middleatlantic.com/company/about-us.aspx#warranty>

### **Corporate Headquarters**

Voice: 973-839-1011 - Fax: 973-839-1976 - International Voice: +1 973-839-8821 -  
Fax: +1 973-839-4982 - [www.middleatlantic.com](http://www.middleatlantic.com) - [info@middleatlantic.com](mailto:info@middleatlantic.com)

### **Middle Atlantic Canada**

Voice: 613-836-2501 - Fax: 613-836-2690 - [ca.middleatlantic.com](http://ca.middleatlantic.com) -  
[customerservicecanada@middleatlantic.ca](mailto:customerservicecanada@middleatlantic.ca)

### **Middle Atlantic EMEA Technical Support**

Voice: +31 (0) 495 726002 - [av.emea.middleatlantic.support@legrand.com](mailto:av.emea.middleatlantic.support@legrand.com)

### **Factory Distribution**

United States: New Jersey, California, Illinois - Canada: Ontario - The Netherlands: Weert

**At Middle Atlantic Products we are always listening. Your comments are welcome.**

**Middle Atlantic Products is an ISO 9001 and ISO 14001 Registered Company.**



**Middle Atlantic Products**

what great systems are built on™

[middleatlantic.com](http://middleatlantic.com) ■ 800.266.7225