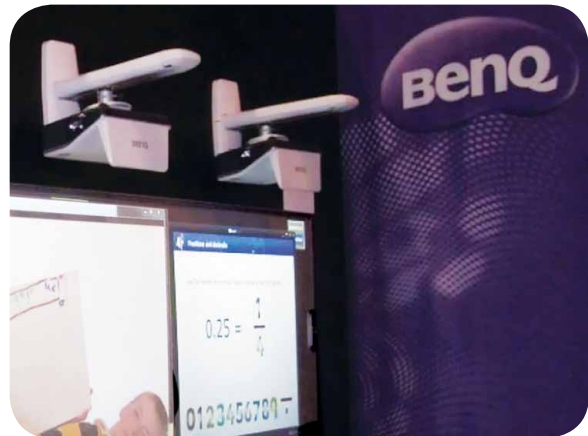


# Wall Mount for BenQ Short Throw Projector!

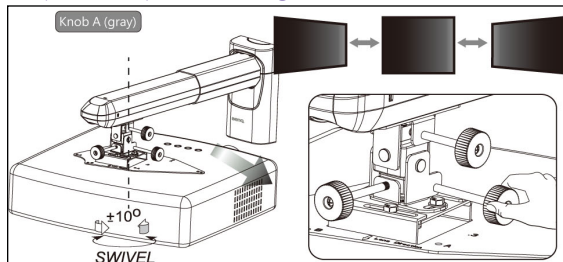
## Fast and Easy Installation to Keep Things Lookin' Great!

Designed to provide an easy and quick solution to mount a BenQ short-throw projector, this installer-friendly wall mount is smartly constructed with premium steel and aluminum to provide the strongest hold and stylishly polished with a pristine white finish to keep any room lookin' great! Together with an adjustable tilt angle of up to  $\pm 10$  degrees, you'll get to enjoy the most flexible viewing support for just about any setting!

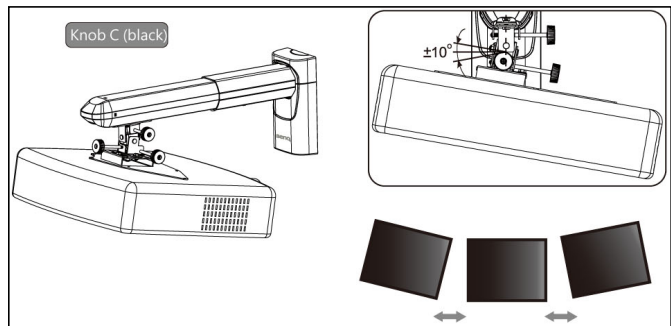


\*Custom specifications may vary by model. Please refer to the specification chart to review each model in detail.

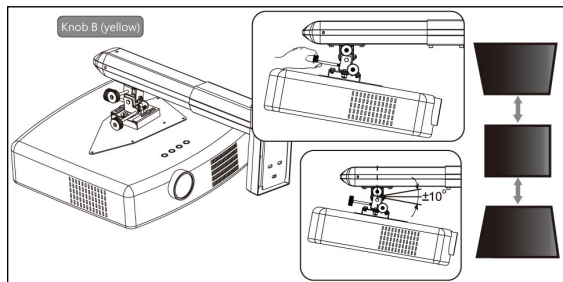
### Adjust Projection Angles



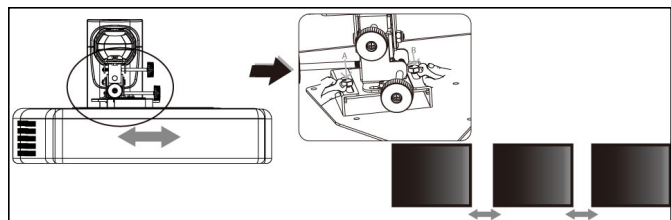
Sideways Rotation



Horizontal Angle Motion



Top to Bottom Angle Displacement



Horizontally Lateral Motion

Wall Mount 03-15-13-BQus

BenQ America Corp.

15375 Barranca Parkway, Suite A-205, Irvine, CA 92618 ☎ Tel: (949) 255-9500 🌐 www.BenQ.us

Education Deal Registration - <http://promotions.benq.us/education/>  
B2B Deal Registration - <http://promotions.benq.us/dealregistration/>

BenQ is a registered trademark of BenQ Corp. DLP is a registered trademark of Texas Instruments. All rights reserved. Product names, logos, brands, and other trademarks featured or referred to in this materials are the property of their respective trademark holders. Specifications subject to change without notice.

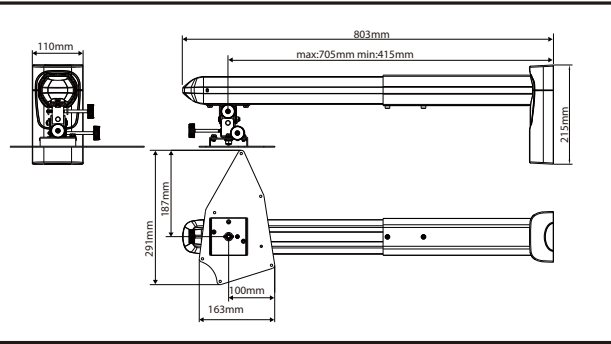


Enjoyment Matters

# Wall Mount for BenQ Short Throw Projector

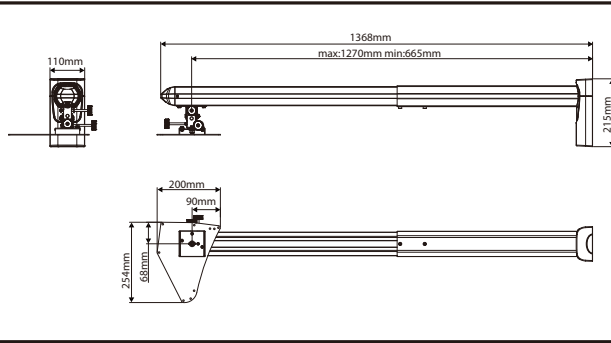
## Ultra Short Throw Wall Mount (WM04G3 - P/N 5JJ4V10.011)

Connection plate	A
Material	Steel/Aluminum alloy
Weight	4.02 kg (8.86 lbs)
Size (W x H x L)	110 x 215 x 803mm (4.3" x 8.5" x 31.6")
Maximum distance from wall	705mm (27.7")
Rotation angle	+/-10°
Load	12kg (26.46lbs)
Screw	M4
Tilt angle	+/-10°



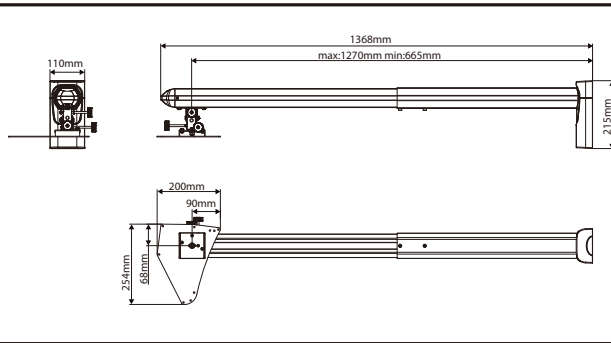
## Short Throw Wall Mount (WM06G3 - P/N 5JJ4R10.011)

Connection plate	B
Material	Steel/Aluminum alloy
Weight	5.1 kg (11.24 lbs)
Size (W x H x L)	110 x 215 x 1368mm (4.3" x 8.5" x 53.8")
Maximum distance from wall	1270mm (50")
Rotation angle	+/-10°
Load	12kg (26.46lbs)
Screw	M4
Tilt angle	+/-10°



## MW821ST Wall Mount (WM06G3\_D - P/N 5JJ8E10.001)

Connection plate	B
Material	Steel/Aluminum alloy
Weight	5.1 kg (11.24 lbs)
Size (W x H x L)	110 x 215 x 1368mm (4.3" x 8.5" x 53.8")
Maximum distance from wall	1270mm (50")
Rotation angle	+/-10°
Load	12kg (26.46lbs)
Screw	M4
Tilt angle	+/-10°



## Guide sheet for hole drilling

Please visit [www.benq.com](http://www.benq.com) for the latest guide sheet for hole drilling

Connection plate A	Mark A ==> MX880UST Mark B ==> MX850UST / MW851UST
Connection plate B	Mark A ==> MP772ST /MP776ST / MP782ST/ MX810ST/ MW811ST/ MX812ST / MX813ST Mark B ==> MW814ST/LX60ST/LW61ST/MX815ST/MX816ST/MX819ST/MW820ST Mark C ==> MP780ST/MW860USTi/MP780ST+/MW870UST/MX822ST Mark D ==> MW821ST

