

DS-UPS1000 UPS



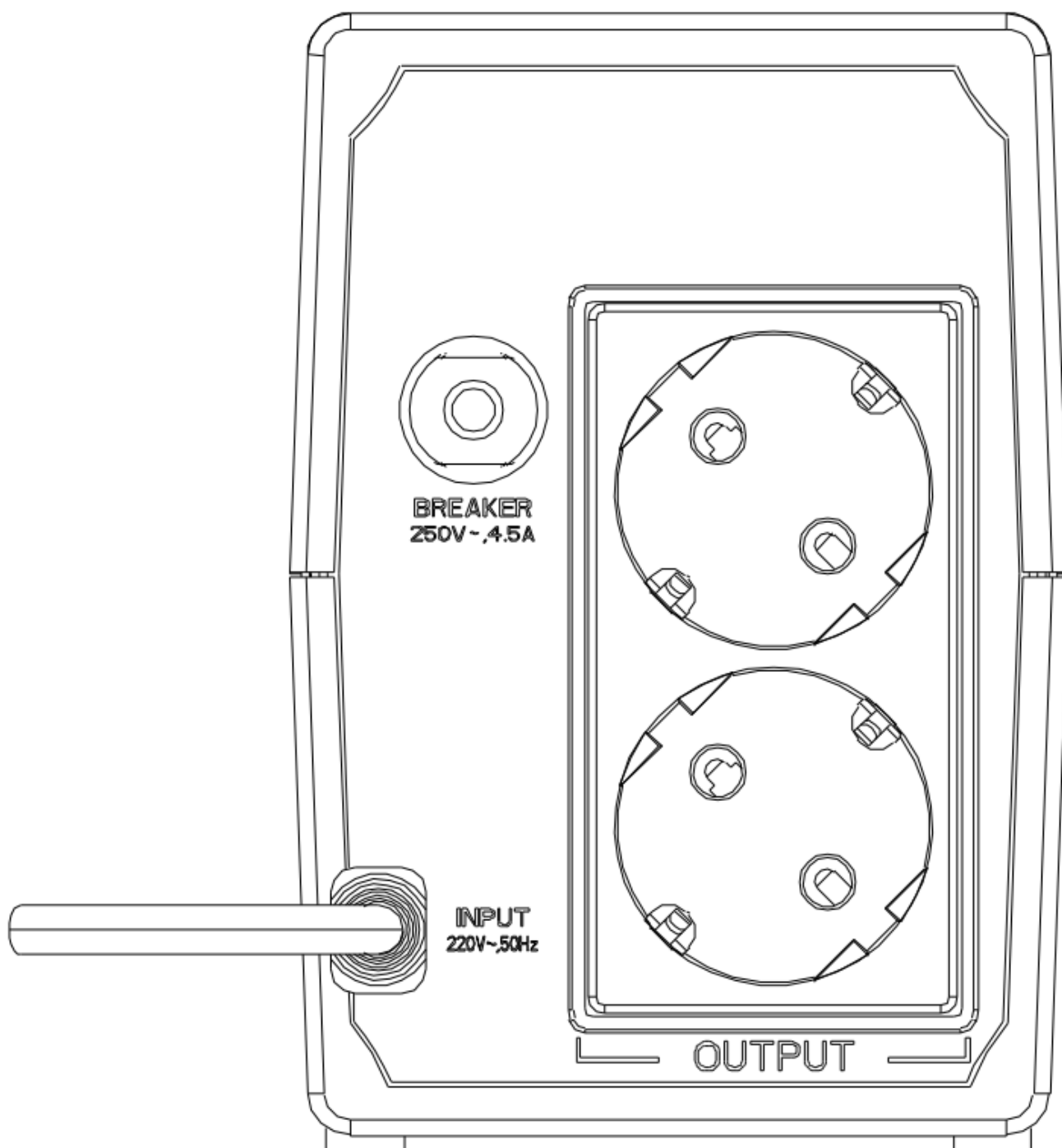
- Wide input voltage range
- Built-in AVR
- Super fast charging
- Overload and short circuit protection
- Compact design

▪ Specification

Model		DS-UPS1000
Power	UPS Capacity	1000 VA / 600 W
Input	Input Voltage Range	140 VAC to 290 VAC
	Input Frequency	50/60 Hz
Output	Output Voltage Range	210 VAC to 235 VAC
	Output Frequency	50 Hz ± 0.5 Hz
	Transfer Time	≤ 10 ms
	Waveform	PWM
Battery	Battery Type	12 V/9 Ah
	Recharge Time	4-6 hours recover to 90% capacity
Indicator	Display	LED indicator Working Mode (AC Mode): Solid green Charging Mode (DC Mode): Solid red Overloading Mode: Flashing yellow
	Alarm	Charging Mode (DC mode): Sounding every 8 seconds Low Battery: Sounding every second Overloading Mode: Sounding every 0.5 seconds Fault: Continuously sounding
Interface	Communicate Ports	No
Protection	Full Protection	Surge protection, Overload protection, Short circuit protection
General	Operating Temperature	0 °C to 40 °C (32 °F to 104 °F)
	Operating Humidity	30% to 90% (non-condensing)
	Dimension	274 mm × 95 mm × 139 mm (10.79" × 3.74" × 5.47")
	Weight	Approx. 5.4 kg (11.9 lb)

▪ Available Model

DS-UPS1000



Headquarters

No.555 Qianmo Road, Binjiang District,
Hangzhou 310051, China
T +86-571-8807-5998
www.hikvision.com



Follow us on social media to get the latest product and solution information.



Hikvision



HikvisionHQ



HikvisionHQ



Hikvision_Global



Hikvision
Corporate Channel



hikvisionhq