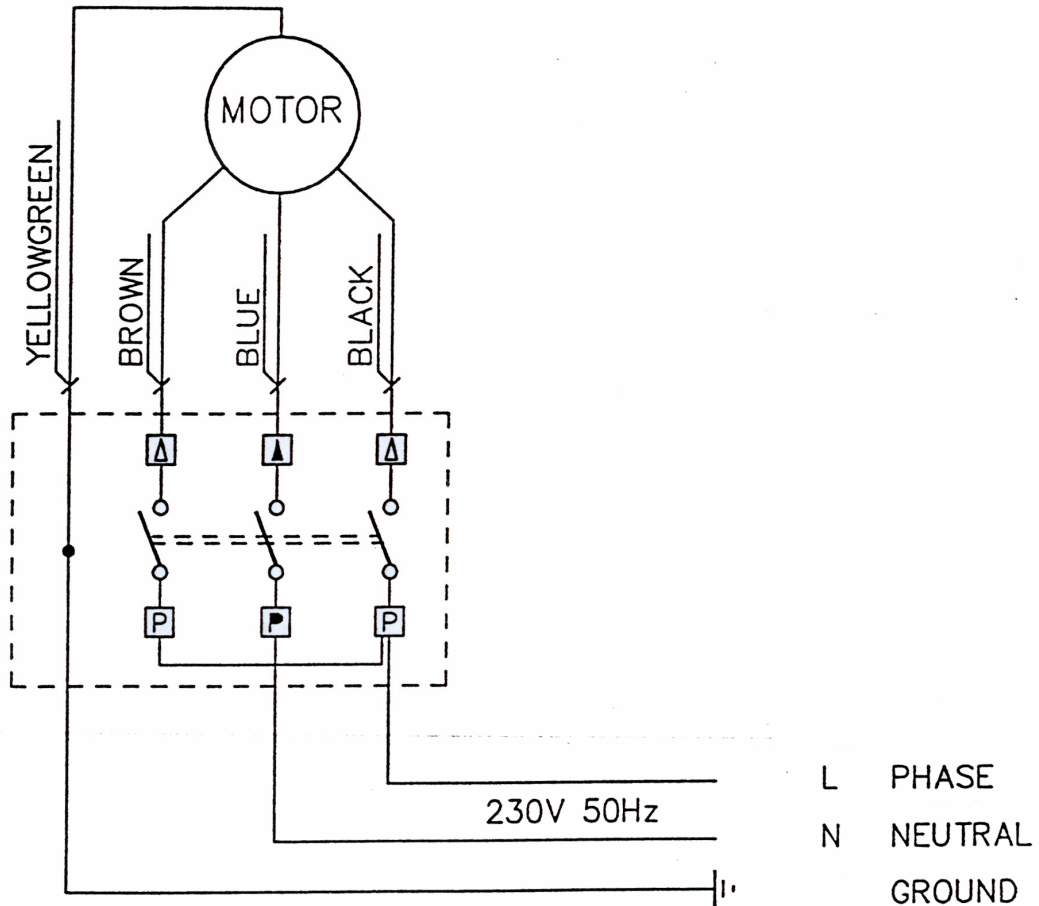


EXAMPLE OF CONNECTION OF ONE MOTOR VIA A SWITCH E301 OR E303.



OBS! The wiring diagram above is valid for one motor. When connecting several motors these may not be connected in parallel to the above mentioned switch, but have to be connected to a relaybox. Please require special diagram.

- Position ↓ Left- and the middlecontact is closing. The motor rotates in the down-direction.
- Position ↑ Right- and the middlecontact is closing. The motor rotates in the up-direction.

Note! The direction of the rotation depends on whether the fixed end of the motor is placed to the right or to the left. If a reversed rotation is desired, change places on the brown and black wires.

We advise you not to use other types of switches with fixed positions, as these are not included in the guarantee.