

**DS-MCW409  
Body Camera**

- 2688 × 1512 recording.
- Max. 40 M (8832 × 4960) resolution of the captured picture.
- IR function to recognize the facial features in the captured picture even in dim environment.
- Waterproof, dustproof, and anti-fall with 2 m fall protection height, applicable to all-day field work.
- 4G/Wi-Fi network connection with flexible wireless transmission.
- Replacing the battery without powering off

## ▪ Specification

CPU	
CPU	8 cores, 64 bit, Main frequency: 1.8 GHz
Camera	
Image Sensor	1/3" progressive scan CMOS
Max. Recording Resolution	2688 × 1512
Min. Illumination	Color: 0.11 Lux @ (F2.2, AGC ON), 0 Lux with supplement light
White Light	Supported
Day & Night	Switch IR cut filter automatically
Lens	
FOV	Horizontal FOV: 132°, Vertical FOV: 72°, Diagonal FOV: 148°
Focal Length	2.4 mm fixed lens
Aperture	F2.2
Video	
Video Compression	H.264, H.265
Sub-Stream	30 fps (1280 × 720, 720 × 576)
Video Format	MP4, PS
Main Stream	60 Hz: 30 fps/15 fps/5 fps (2688 × 1512, 1920 × 1080, 1280 × 720, 720 × 576)
Pre-record & Post-record	Pre-record: 60/10/5/3 s, Post-record: 60/10/5/3 s
Audio	
Audio Compression for Video Recording	AAC, G722
Audio Compression for Audio Recording	PCM
Audio Compression for Group Intercom	G711.A, G711.U, G722
Audio Bit Rate	G722 (16 kbps), AAC (dynamic), PCM (256 kbps), G711.A (64 kbps), G711.U (64 kbps)
Image	
Resolution	40 M (8832 × 4960), 30 M (7296 × 4104), 16 M (5312 × 2988), 5 M (3072 × 1728)
Image Format	JPEG
Image Stabilization Algorithm	
Image Stabilization Algorithm	GIS: Optional
Screen	
Screen Size	2.4"
Touchscreen	Supported
Display Resolution	320 × 240
Screen Brightness	Typical value: 540 cd/m <sup>2</sup>
Storage	
ROM	32 GB by default, 64/128/256 GB optional
RAM	2 GB
IR	
IR Wavelength	850 nm
IR Range	Up to 10 m, Illumination range greater than 90%

<b>Wireless Network</b>	
Wi-Fi Protocol	802.11 a/b/g/n/ac
Positioning Mode	GPS
Wi-Fi Frequency Band	2.412 to 2.472 GHz, 5.15 to 5.25 GHz, 5.725 to 5.875 GHz
Bluetooth	BT4.0
Cellular Network	GSM: 850/900/1800/1900, WCDMA: B1/B2/B4/B5/B8, FDD-LTE: B1/B2/B3/B4/B5/B7/B8/B20/B28, TDD-LTE: B38/B39/B40/B41
NFC	Optional
<b>Network</b>	
Protocol	HTTPS, RTSP, NTP, FTP
API	ISAPI, SDK, ISUP
<b>Security</b>	
Encryption	AES128, AES256
Watermark	Supported
<b>Interface</b>	
Audio Type	2 built-in mic(s), 1 speaker(s)
Indicator	2 indicator(s) for charging/working/recording/exception
USB	1 USB 2.0 port(s)
SIM Card	1 Nano-SIM card(s)
Laser Positioning	Supported
Charging Interface	Type-C, Pogo Pin
Button	Power, Video recording, PTT, SOS, Picture capture, Audio recording
<b>Smart Functions</b>	
Face Picture Capture	Supported
Face Picture Recognition	Optional
License Plate Recognition	Optional
<b>Event</b>	
Basic Event	SOS alarm
<b>Group Intercom</b>	
Group Intercom	Supported for firmware version V2.6.0 or above
<b>General</b>	
Power	5 V DC, 2.0 A, max. 10 W
Weight	194.5 g (without mounting) (0.4 lb.)
Dimensions	92.8 mm × 59.7 mm × 28.5 mm (3.7" × 2.4" × 1")
Speaker	1 built-in speaker(s), max. power consumption: 1 W, max. sound pressure level: 95 dB (10 cm)
Client	HikCentral Pro, HikCentral Master
Operating System	Android 9.0
Operating Condition	- 20 °C to 55 °C (- 4 °F to 131 °F). Humidity 95% or less (non-condensing)
Vibration Motor	Not supported
Gyroscope	Optional
<b>Battery</b>	
Battery Life	Up to 12 h in 720p resolution <sup>1</sup>
Embedded Sub-Battery	50 mAh, Models with SE are not supported.
Capacity	3300 mAh
Battery Type	Lithium-ion battery, dismountable

Charging Time	≤ 4 h
<b>Approval</b>	
RF	EN 300 328 V2.1.1 (BT or 2.4G), EN 62311: 2008 (BT or 2.4G), EN 55032: 2015, EN 61000-3-2: 2014, EN 61000-3-3: 2013, EN 50130-4: 2011 + A1: 2014), CE-RED: EN 300 330 V2.1.1
Environment	CE-RoHS: 2011/65/EU, WEEE: 2012/19/EU, Reach: Regulation (EC) No 1907/2006, CE-RoHS: EN IEC63000: 2018
Protection	IP68: IEC 60529-2013
Safety	CB: IEC 62368-1: 2014 + A11, IEC 62368-1: 2018, CE-LVD: EN 62368-1: 2014/A11: 2017, EN IEC 62368-1: 2020 + A11: 2020, CE-LVD: EN 62368-1: 2014/A11: 2017
EMC	CE-EMC: EN 55032: 2015, EN 61000-3-2: 2019, EN 61000-3-3: 2013, EN 50130-4: 2011 + A1: 2014
<b>Drop Test</b>	
Drop Test	MIL-STD-810G, 2 m drop test
<b>Warranty</b>	
Warranty	2 years for the device without battery, 1 year for the battery

1: This is a basic estimation of battery working life only when recording is on. Additional power consumption should be considered when IR, GPS, and/or network connection is on.

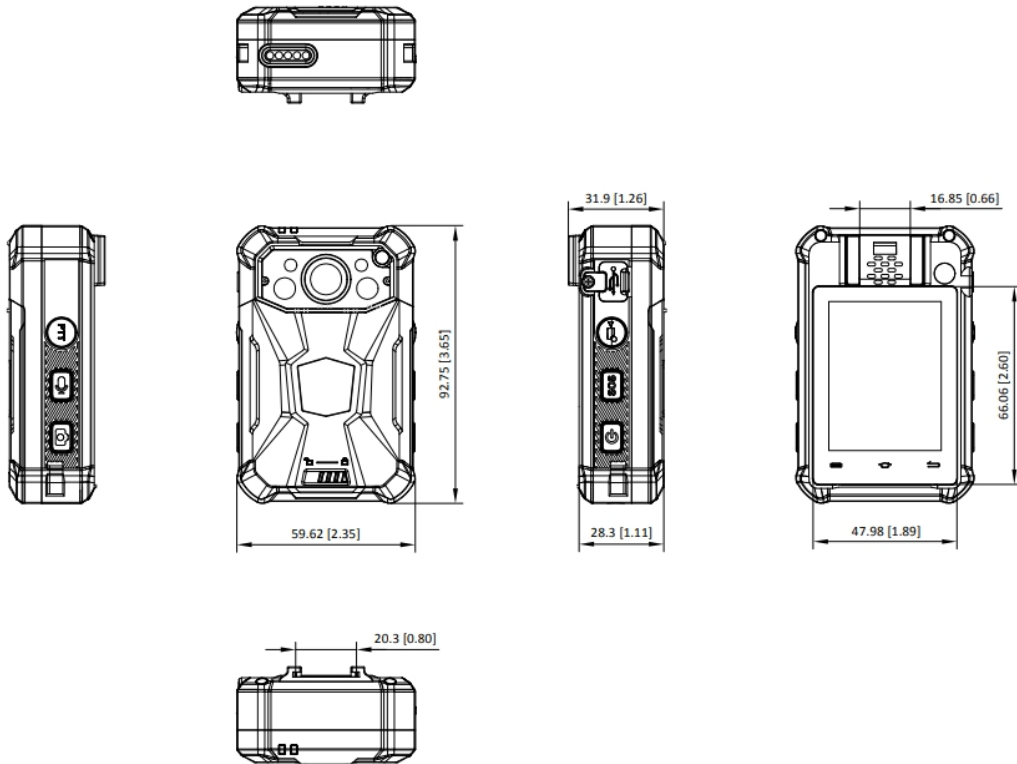
#### ▪ Available Model

DS-MCW409/32G/GLE

DS-MCW409/32G/GLE(C)

DS-MCW409/SE/32G/GLE(C)

▪ Dimension



▪ **Accessory**

▪ **Included**



▪ **Optional**

<p><b>DS-MH1310-N1(B)</b> <b>Body Camera Battery</b></p>	<p><b>DS-MH1711</b> <b>Body Camera Chest</b> <b>Harness</b></p>	<p><b>DS-MH1721</b> <b>Oblique Shoulder</b> <b>Harness</b></p>	<p><b>DS-MH1717</b> <b>Body Camera -</b> <b>Magnetic Clip</b></p>	<p><b>DS-MH1716</b> <b>Body Camera -</b> <b>Alligator Clip</b></p>
<p><b>DS-MH1715</b> <b>Body Camera -</b> <b>Wearable Clip</b></p>				

# See Far, Go Further



[www.hikvision.com](http://www.hikvision.com)  
[support@hikvision.com](mailto:support@hikvision.com)

