



Body Camera

Quick Start Guide

Symbol Conventions

The symbols that may be found in this document are defined as follows.




Symbol	Description
 Note	Provides additional information to emphasize or supplement important points of the main text.
 Caution	Indicates a potentially hazardous situation, which if not avoided, could result in equipment damage, data loss, performance degradation, or unexpected results.
 Danger	Indicates a hazard with a high level of risk, which if not avoided, will result in death or serious injury.

TABLE OF CONTENTS

Chapter 1 Product Introduction	1
1.1 Packing List.....	1
1.2 Appearance.....	1
1.3 Default Information	4
Chapter 2 Installation	5
2.1 Install Shoulder Clip	5
2.2 Install SIM Card	5
2.3 Charge Device	6
2.4 Change Battery	6
Chapter 3 Basic Operation	9
3.1 Storage.....	9
3.1.1 Record.....	9
3.1.2 Tape	9
3.1.3 Capture	10
3.2 Playback.....	10
Chapter 4 Detailed Configuration	11

Chapter 1 Product Introduction

1.1 Packing List

Following objects are included in package. If something loses, contact us or our supplier.

Table 1-1 Packing List

No.	Name	Quantity
1	Body camera	1
2	Shoulder clip	1
3	USB data cable	1
4	Power adapter	1
5	USB adapter	1
6	Regulatory Compliance and Safety Information	1
7	Battery	1

1.2 Appearance

The appearance of the body camera is shown as below.

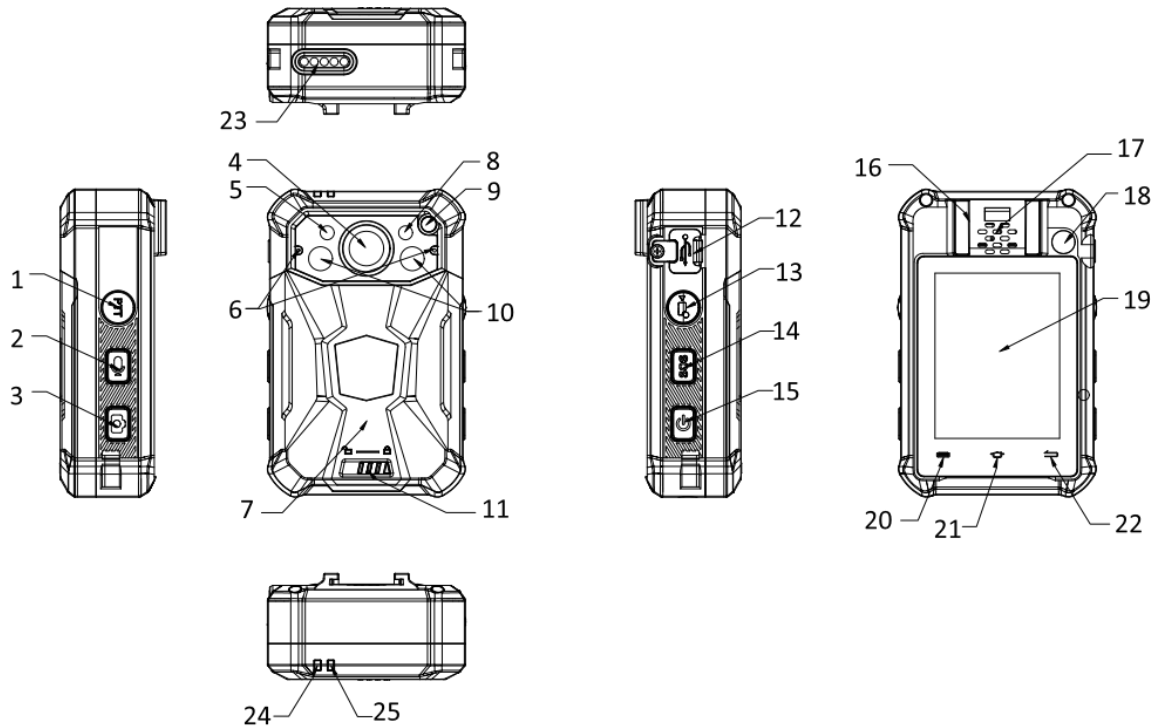


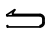


Figure 1-1 Appearance

Table 1-2 Appearance Description

No.	Name	Description
1	PTT	After the device starts up, hold it to set the device as a MIC or loudspeaker to start two-way audio.
2	Tape	<ul style="list-style-type: none"> ● After the device starts up, press it to start/stop taping. ● During recording or taping, hold it to tag the video or audio file. Hold it again to cancel tag.
3	Capture	After the device starts up, press it once to capture a picture.
4	Rear camera	Rear camera.
5	White light	It supplies light at dark environment.
6	Dual MIC	For voice collection.
7	Back cover	The back cover of the battery.
8	Photosensitive sensor	It can detect the surrounding light, and is used for IR switch of camera.
9	Laster light	Hold the record button to turn the laser light on or off.
10	IR light	<ul style="list-style-type: none"> ● If you set IR as ON, the IR lights will be enabled during recording.

		<ul style="list-style-type: none"> ● If you set IR as AUTO, the IR lights will be enabled automatically during recording when the illumination is insufficient.
11	Back cover fastener	To install/uninstall the back cover.
12	USB interface plug	Open the plug to connect to USB data cable.
13	Record	<ul style="list-style-type: none"> ● When the device is shut down, hold it to start it up and start recording. ● After the device starts up, press it to start/stop recording.
14	SOS	In emergency, hold it for more than 1 second to alarm manually and send the alarm to the platform.
15	On/Off	<ul style="list-style-type: none"> ● When the device is off, hold it to start it up. ● When the device is on, hold it to shut it down. ● After the device starts up, press it to sleep/activate the screen display.
16	Shoulder clip slot	To install the shoulder clip.
17	Loudspeaker	For sound play.
18	Front camera	Reserved.
19	LCD	For local menu display and operation.
20		On the Group Intercom page, tap it to enter the shortcut menu.
21		Tap it to switch to the Camera page.
22		On the Camera page, tap it to enter the main menu. On other pages, tap it to return to the upper menu.
23	Expansion interface	Reserved.
24	LED 1	<ul style="list-style-type: none"> ● Solid green: The device is running. ● Flashing yellow (low frequency): The device is taping.
25	LED 2	<ul style="list-style-type: none"> ● Solid red: The device is being charged. ● Solid green: The device is fully charged. ● Flashing red (low frequency): The device is recording. ● Flashing red (high frequency): The device is in low battery.

1.3 Default Information

The default information of the device is shown as below.

- Default user name (administrator): admin
- Default password: 123456



Caution

For your data safety, change the device password in time.

Chapter 2 Installation

2.1 Install Shoulder Clip

Install the shoulder clip if you want to wear the device on your shoulder.

Step 1 Insert the shoulder clip down into the slot on the front panel of the device.

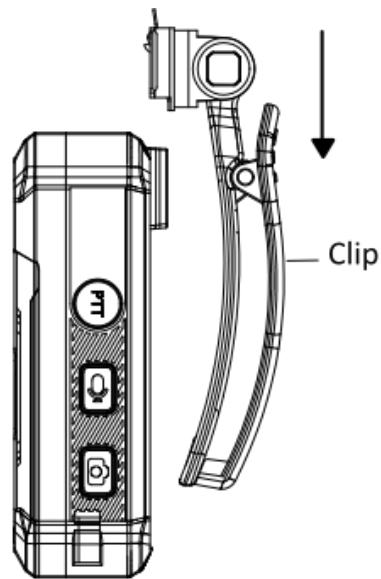


Figure 2-1 Install Shoulder Clip

Step 2 Check if the clip is inserted into the slot firmly.

Step 3 Optional: To uninstall the shoulder clip, press the buckles on both sides of the clip inwards with your fingers, and slide the clip upwards to uninstall it.

2.2 Install SIM Card

If you want to connect to the network via SIM card, install a SIM card on the device.

Before You Start

Please prepare a SIM card by yourself.



Be sure to use a standard Nano-SIM card. Otherwise, the SIM card or the device may be damaged.

Step 1 Shut down the device.

Step 2 Slide the fastener on the rear panel of the device to the left.

Step 3 Open the back cover by pulling the protruding handles.

Step 4 Take the battery out by pulling the battery handle.

Step 5 Insert the SIM card into the card slot with the metal side facing downward until it is installed firmly.

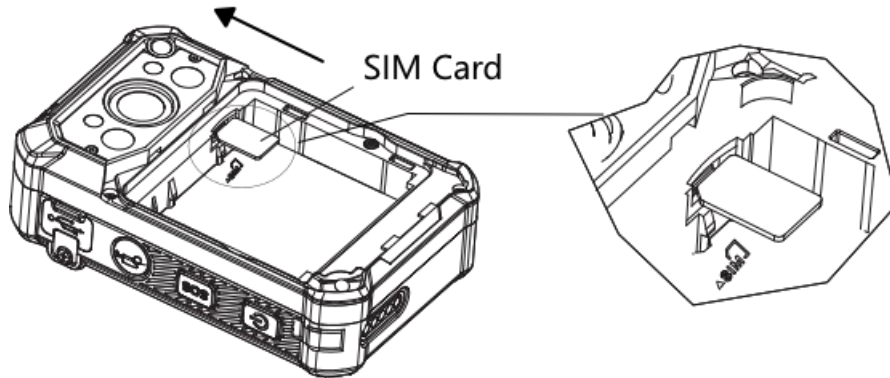


Figure 2-2 Install SIM Card

Step 6 Install the battery and back cover.

Step 7 Slide the fastener to the right to lock the back cover.

2.3 Charge Device

When the device power is low, charge it in time.

Step 1 Open the USB interface plug on the side of the device.

Step 2 Connect the device to the power adapter with the supplied USB data cable.

2.4 Change Battery

Change the device battery if the battery is damaged, which needs to be performed by professional personnel.

Before You Start

Please prepare a dedicated battery (optional).

Note

Blue labels are attached to the surface of the dedicated batteries.

Step 1 Slide the fastener on the rear panel of the device to the left.

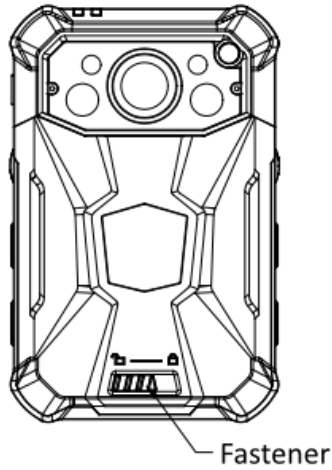


Figure 2-3 Slide Fastener

Step 2 Open the back cover by pulling the protruding handles.

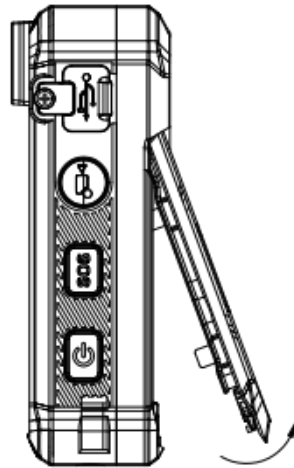


Figure 2-4 Open Back Cover

Step 3 Take the battery out by pulling the battery handle.

Step 4 Change a battery.

Step 5 Insert the tabs on the top of the back cover into the grooves of the back case, and then press the cover downward until it snaps.

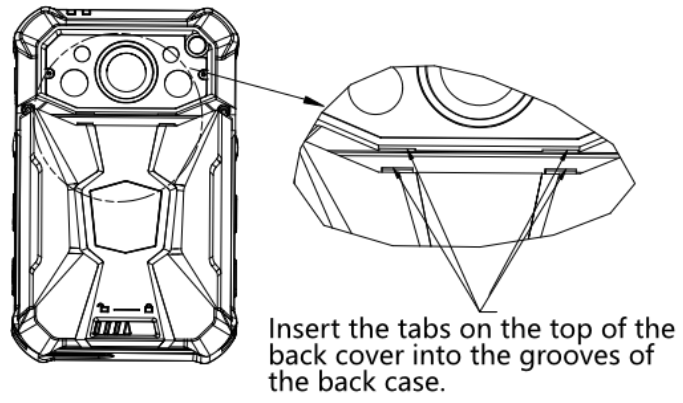


Figure 2-5 Install Back Cover

Step 6 Slide the fastener to the right to lock the back cover.

Chapter 3 Basic Operation

3.1 Storage

The recorded videos, taped audios, and captured pictures will be stored in the device.

3.1.1 Record

You can record videos via the device.

Step 1 After the device starts up, press the recording button.

After the recording starts, the recording icon and recorded time will appear on the upper left corner of the live view page.



Note

The recording button varies with different devices. The actual device prevails.

Step 2 Press the recording button again to stop recording.

Step 3 Optional: Select **File MGT** on the main menu to view the recorded videos.



Note

- If you want to record a period of time before recording starts, select **Settings** → **Media** → **Video** → **Pre-record** to set pre-record.
 - If you want to record a period of time after recording ends, select **Settings** → **Media** → **Video** → **Pre-record** to set post-record.
-

3.1.2 Tape

You can tape audios via the device.

Step 1 After the device starts up, press the taping button.

After the taping starts, the white taping icon will appear on the upper left corner of the live view page.

 **Note**

The taping button varies with different devices. The actual device prevails.

Step 2 Press the taping button again to stop taping.

Step 3 Optional: Select **File MGT** on the main menu to view the taped audios.

3.1.3 Capture

You can capture pictures via the device.

Step 1 After the device starts up, press the capture button.

The device captures a picture.

 **Note**

The capture button varies with different devices. The actual device prevails.

Step 2 Optional: Select **File MGT** on the main menu to view the captured pictures.

3.2 Playback

You can play back videos, audios, and pictures via the device.

Step 1 Select **File MGT** on the main menu.

Step 2 Select **Video, Picture, or Audio**.

Step 3 Select the file to play or view from the file list.

Chapter 4 Detailed Configuration

Scan the QR code below to get the user manual for detailed configuration.



Figure 4-1 User Manual QR Code



See Far, Go Further