

ÖFK-105-M & ÖFK-105-L

Hold up device

VANDERBILT



Key Features include:

- Optional indication of operation
- Latching or momentary versions
- Dual push buttons
- Gold plated contacts for long term, reliable operation
- Tamper for cover removal
- Simple reset for latched version- no keys required
- Robust construction
- Flexible configuration options
- Silent electronic relays
- LED Indication confirmed from alarm panel

ÖFK-105-M & ÖFK-105-L

Hold up device

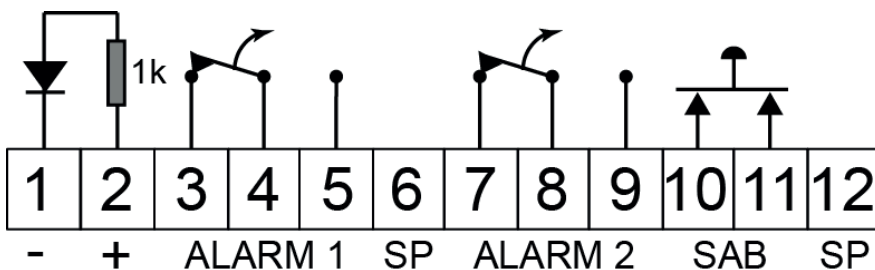
VANDERBILT

Description

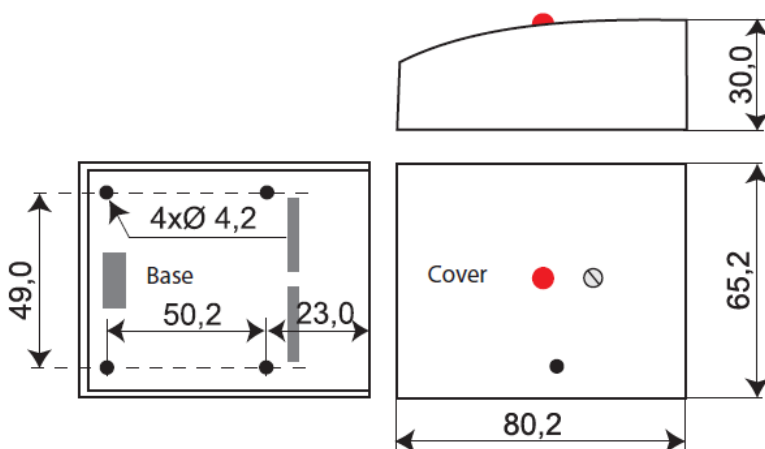
Both the ÖFK-105-L and ÖFK-105-M have multiple configuration options;

- Button 1 = relay 1 – independent circuit = alarm
- Button 2 = relay 2 - independent circuit = alarm
- Button 1 & 2 simultaneous operation = alarm, when relays are wired in parallel. Refer example below
- Button 1 or 2 operation = alarm, when relays are wired in series. Refer example below.

There is an option to illuminate the red, confirmation LED; that the alarm signal has been received by the local panel.



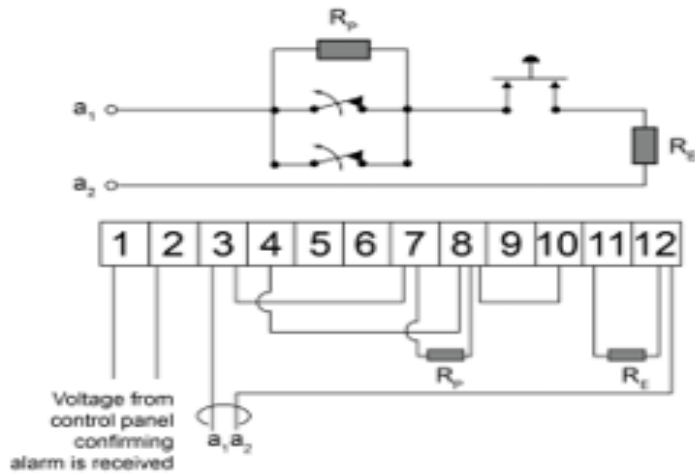
Terminal	Description	Terminal	Description
1	Supply voltage to activate red LED, from control; panel	7	Alarm relay 2, changeover contacts
2		8	
3	Alarm relay 1, changeover contacts	9	
4		10	Tamper contacts, normally closed
5		11	
6	Spare	12	Spare



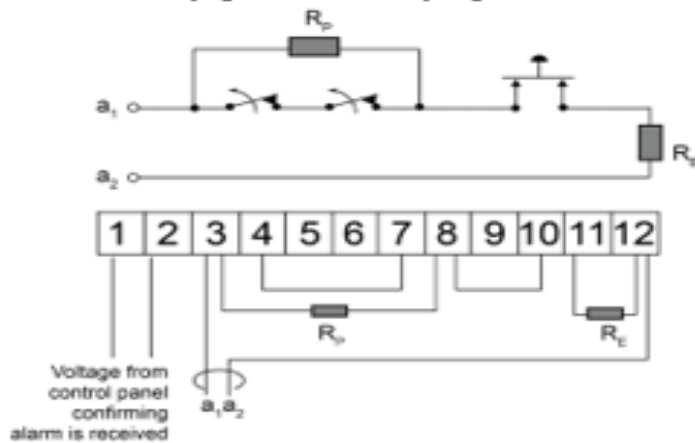
VANDERBILT

Examples of two connection options

Example of connection for dual operation on a balanced loop [EOL example]:



Example of connection for single operation on a balanced loop [2EOL example]:



ÖFK-105-M & ÖFK-105-L

Hold up device

VANDERBILT

■ Technical Specifications

Supply voltage for LED	9...30V DC
Tamper contact	1 x N/C via electronic relay
Alarm Contacts	
- ÖFK-105-M	2 x changeover contacts via electronic relays
- ÖFK-105-L	2 x changeover contacts via electronic relays
Housing	
- Colour	White
- Material	ABS
Switching voltage	
- Alarm contacts	30V DC/100mA
- Tamper contacts	30V DC/50mA
Cable connection	Screw terminals
Alarm confirmation indication	Red LED with 1K Ω resistor
Environmental	
- Operating temperature	-10 ... +55 °C
- Environmental class	I
- Housing protection	IP31
- Humidity	85%
Dimensions (Lx W x H)	65 x 80 x 30mm

■ Ordering information

Type	Art.-No.	Description	Weight
ÖFK-105-L	N54539-Z279-A100	Hold up button, latching	0.080 Kg
ÖFK-105-M	N54539-Z278-A100	Hold up button, momentary	0.080 Kg

Issued by
Vanderbilt
Clonshaugh Business and
Technology Park
Clonshaugh
Dublin 17
Ireland
www.vanderbiltindustries.com

Data and design subject to change without notice.
Supply subject to availability.

VANDERBILT