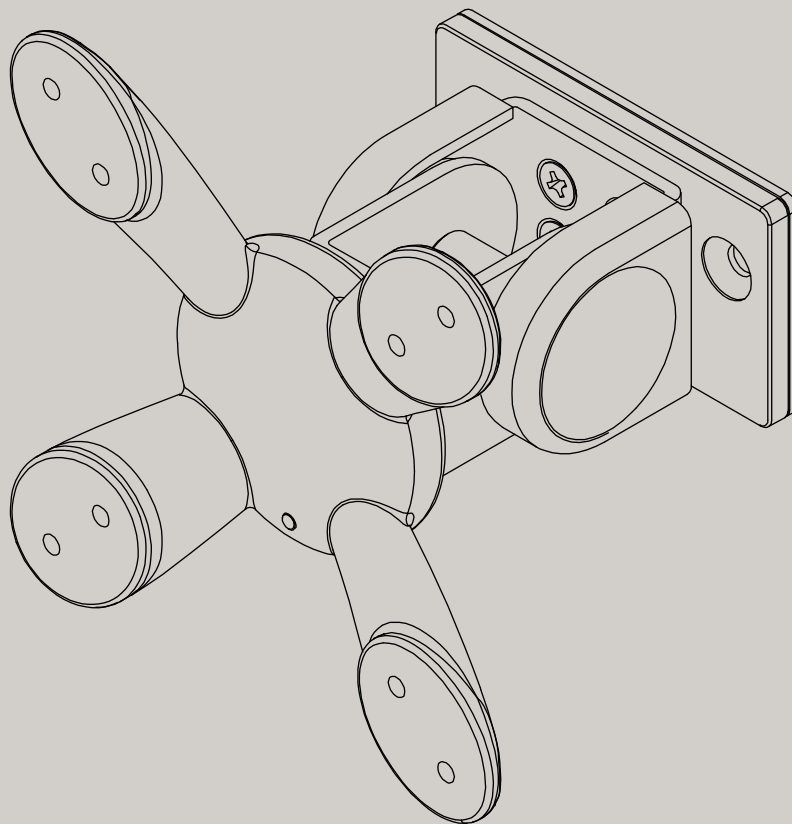
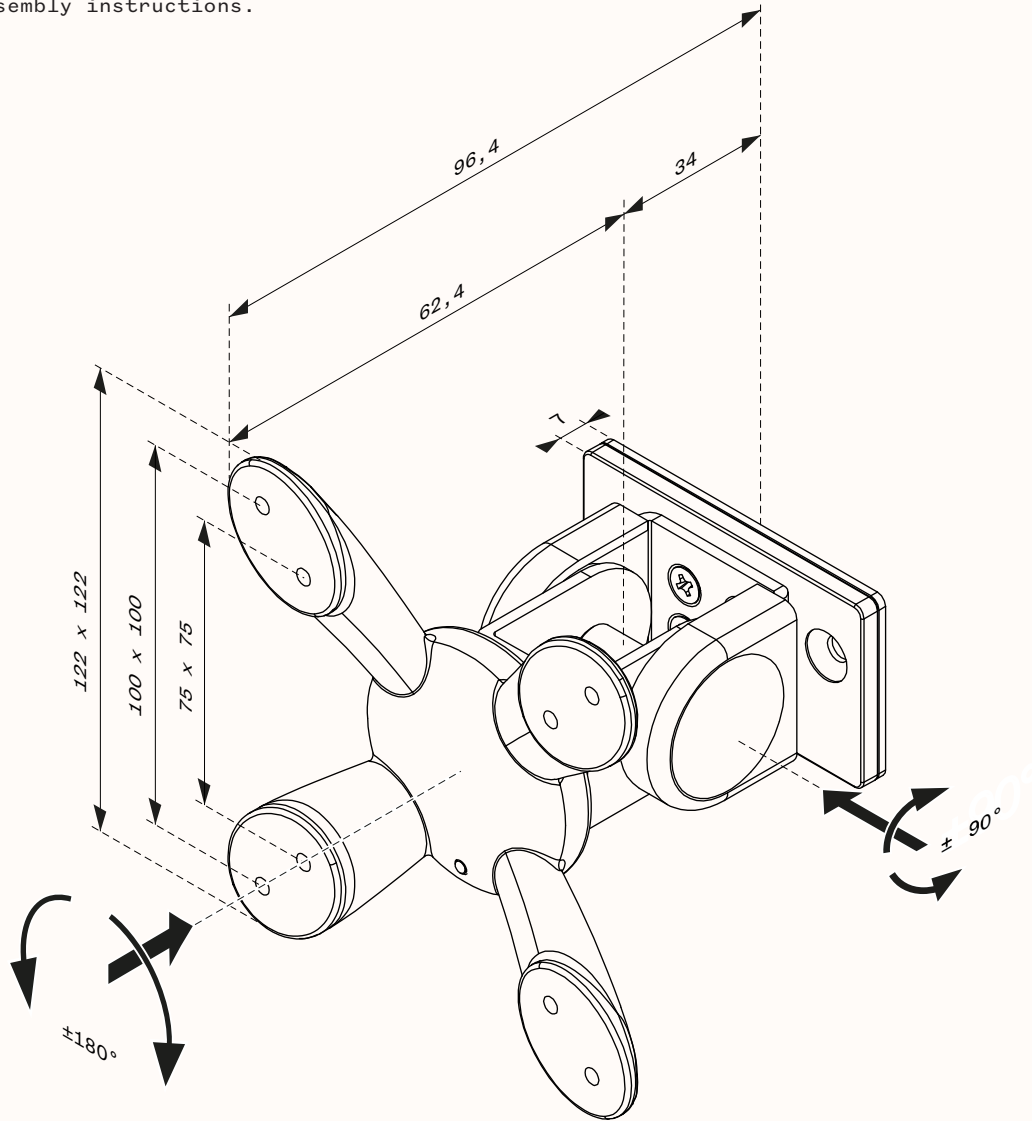


HOLD MONITOR ARM¹⁶

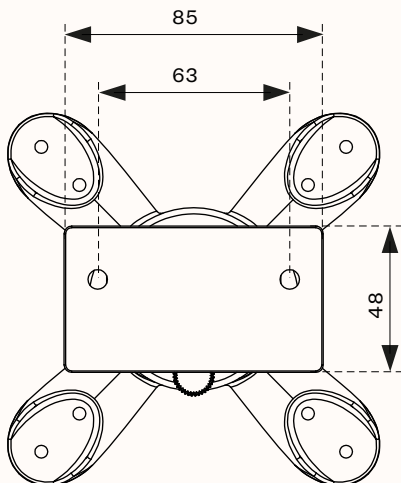


Dimensions

See user manual for assembly instructions.



REAR VIEW



HOLD MONITOR ARM¹⁶

SINGLE JOINTED MONITOR MOUNT, VESA 75/100, RAIL MOUNTED, SILVER

ART. NO

4481001602 SILVER

Technical data

MATERIAL	STEEL
COLOUR	SILVER
FINISH	METALLIC
MAXIMUM ARM LENGTH	96mm
MAX LOAD	8kg*
VESA	75/100

* Weight span is calculated based on monitor with Centre of Mass shorter than 30mm from VESA interface. For curved or bigger screens, the weight span might differ.