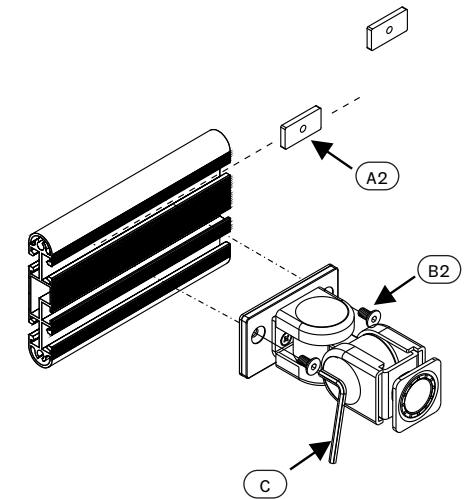
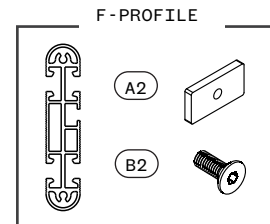
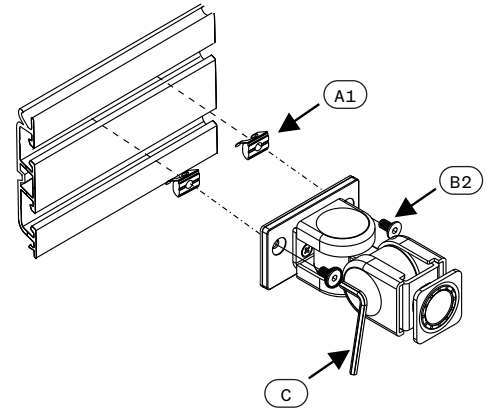
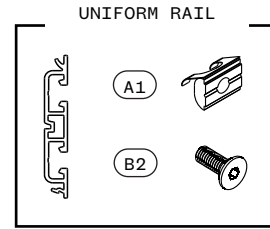


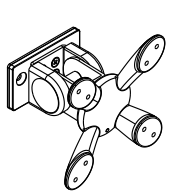
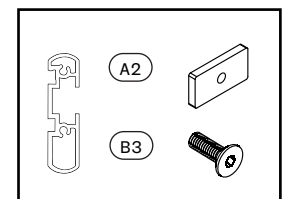
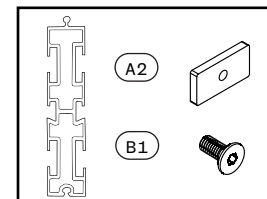
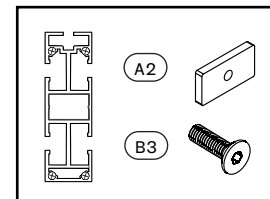
Hold Monitor Arm^{16/17/18}

PARTS AND TOOLS

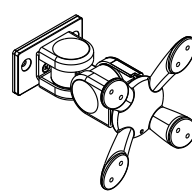
A1	x2 PCS		
A2	x2 PCS		
B1	x2 PCS	M6x12	
B2	x2 PCS	M6x14	
B3	x2 PCS	M6x18	
C	x1 PCE	4mm	
D	x1 PCE		
E	x4 PCS	M4x10	
F	x4 PCS	M4x15	
G	x4 PCS		



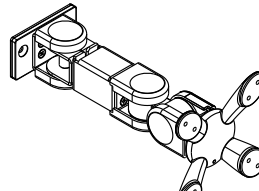
OTHER POSSIBLE ASSEMBLIES



4481001602



4481001702

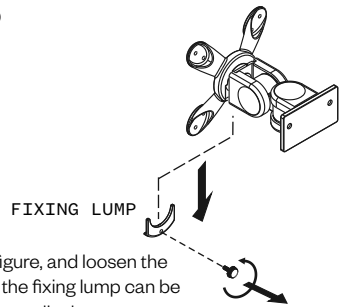


4481001802
4481001801

CAUTION

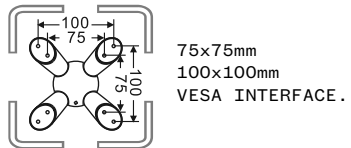
- Standard product fit VESA interface 75*75mm and 100*100mm.
- Before assembling, please check assembly guide thoroughly to avoid any mistake.
- 4481001602:Weight capacity for 1-6kg LCD monitors.
- 4481001702: 4481001802: 4481001801 Weight capacity for 1 -8kg LCD monitors.
- Standard products include several small parts, keep out of children when assembling this product and prevent children from swallowing them.
- Do not put your fingers on the joint while moving the arm to prevent clipping.

STEP 1

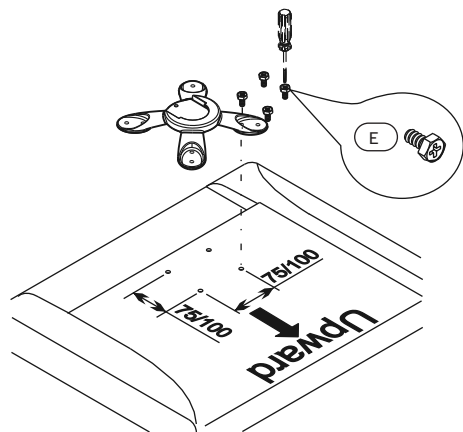


Study the figure, and loosen the screw until the fixing lump can be removed accordingly.

STEP 3

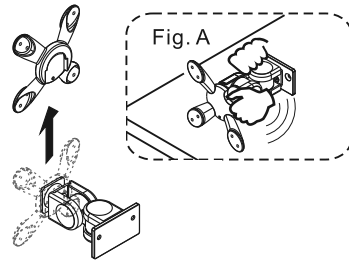


75x75mm
100x100mm
VESA INTERFACE.

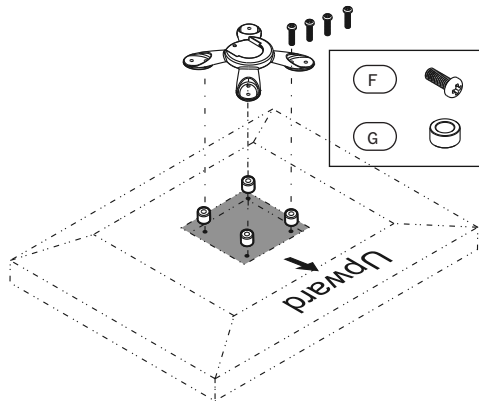


Place the monitor facing downwards on a flat surface. Locate the VESA slot on its back and mount the VESA. Align the screws to the corresponding holes and secure them together. Once secured, tighten them up with a screwdriver (not provided)

STEP 2



Then, lift the VESA mount up. If it won't come off, one may remove it by swaying it back and forth lightly (as seen in Fig. A)

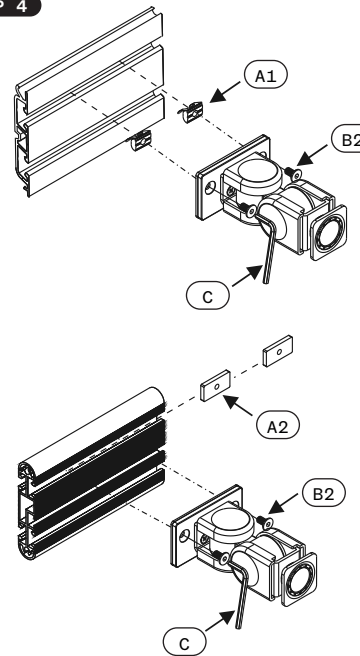


These screws M4x15 are mainly for special monitors whereas the original screws are too short or the VESA mount won't fit the monitors VESA slot.

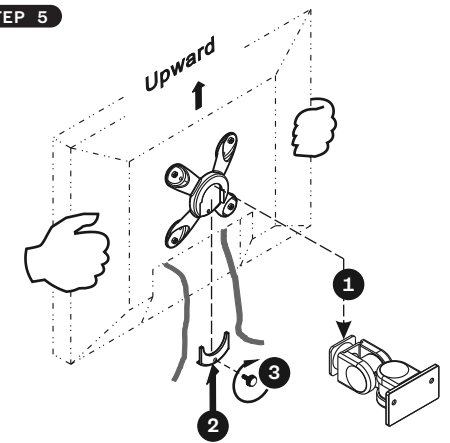


Before assembling, inspect the monitor to make sure whether there are grooves on the inside of the pitch. If yes, then place the monitor facing downwards on a flat surface. Locate the VESA slot on its back and mount the VESA. Align the screws to the corresponding holes and secure them together. Once secured, tighten them up with a screwdriver (not provided)

STEP 4



STEP 5



Insert the VESA (with the mounted monitor in place) into the arm and slide it down all the way. Then, secure the fixing lump back to its position using its corresponding screw as seen in (1, 2 and 3).

When assembling the arm with monitors of differing weights, you may find that the tension of the universal joint needs to be adjusted to ease movement or to maintain the desired monitor position. If so, adjust as follows:

- Remove the plastic universal joint covers.
- Find the nylon nut (not the screw head) and use the included wrench to adjust the tension.
- Use one hand to support the monitor and adjust the tension of the universal joint.
 - Turning clockwise adds more tension
 - Turning counterclockwise lessens the tension. When the desired tension is achieved, cover the nuts with the plastic covers.

Caution:

- Support the monitor during the adjustment procedure.
- Only adjust the nylon nut (not the screw head).
- Do not disassemble the universal joint.

