

Unite Cockpit Case (CC) Charger

CONFERENCE



Description

The new Unite Cockpit Case is more than just a charging solution for Televic Unite devices. With 36 charging slots for pocket devices (of which 18 slots can be also used for handheld transmitters), it ensures that your devices are fully charged without the risk of overcharging the batteries.

The integrated network connections allow you to connect the charging case to the Unite Manager software, enabling you to configure all devices in advance. This configuration is stored not only in the connected devices but also within the charging case itself. Pairing additional devices to an existing setup is as simple as plugging them into the configured charging case and waiting a few seconds for automatic configuration.

The Unite Manager software additionally provides enhanced control, allowing for monitoring, maintenance, advanced configuration, and pairing options with Unite AP4 access points.

Designed for durability and flexibility, the case features recessed handles, butterfly locks, a reduced weight and with its fan-less design, it ensures quiet operation.

This product can be paired with an optional trolley which improves the ease of use during transport.

Features

Intelligent transport, charging and storage case including pairing and network functions.

- » 36 charging slots for pocket devices (including 18 charging slots for handheld transmitters)
- » Controls:
 - Buttons for the pairing process
 - Status indicator for the pairing process
 - Separate power indicator
 - Reset button
- » Ethernet port for network integration
- » USB connector:
 - Pairing
 - Charging
- » Additional options via Unite Manager PC software:
 - Advanced configuration
 - Pairing via several chargers
 - Customisable AES-256 encryption
 - Storing of pairing information
 - Monitoring
 - Maintenance
 - Device software updates
- » Detachable lid
- » Detachable accessory bag in the lid
- » Spring loaded and partially recessed carrying handle
- » Lightweight honeycomb twin-wall construction
- » Reinforced aluminium frame
- » Sideward rubber feet
- » Integrated multi-region power supply with fused IEC C14 socket mains connection
- » Passive cooling
- » Two brackets at the bottom side to support the optional trolley

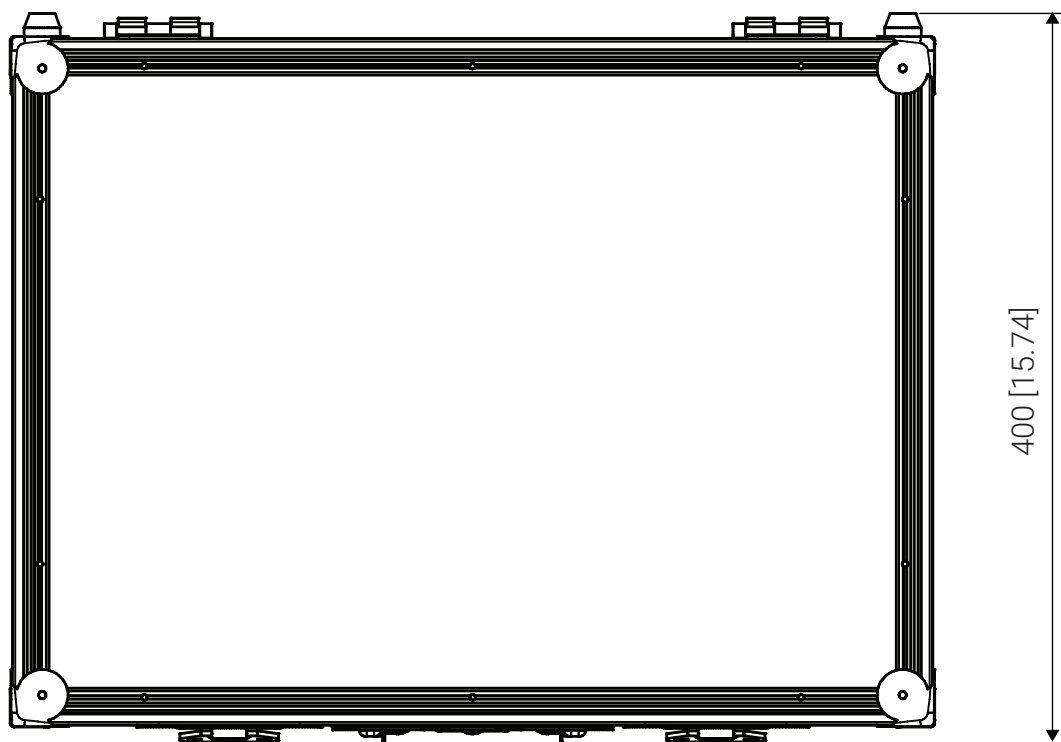
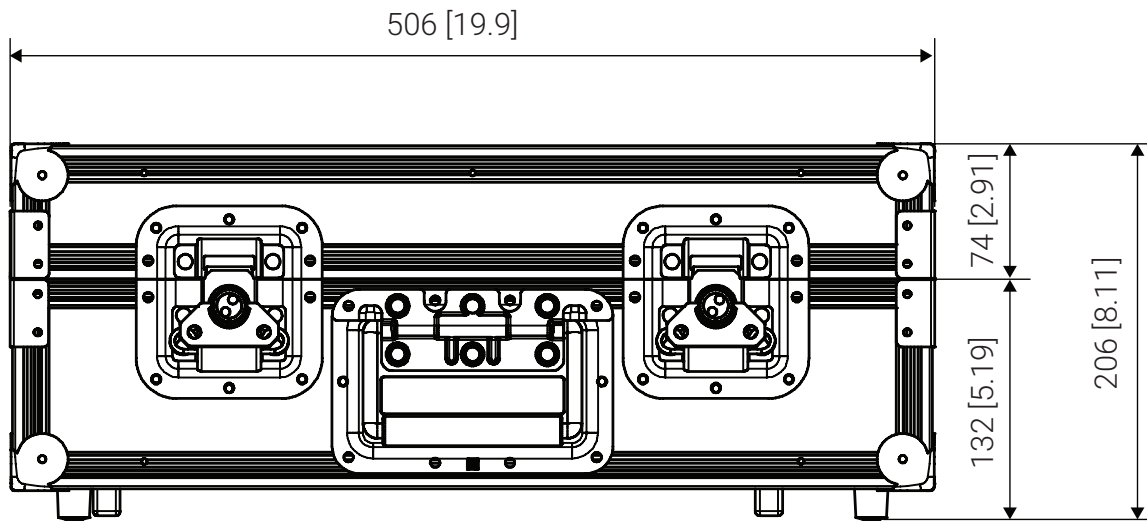
Specifications

AC input	100-240 V AC, 50-60 Hz
Fuse	<ul style="list-style-type: none"> • 1 x 1.25 A (slow-blow) @ 230 V -> factory installed • 1 x 2.5 A (slow-blow) @ 115 V -> spare fuse
Nominal current	2.2 A @ 115 V AC 1.1 A @ 230 V AC
Power consumption	157 W for 36 charging slots Additional 5 W for USB-C port charging
Connections	Ethernet USB, type C IEC 14 power socket
Operating temperature	0°C to +40°C / 32°F to 104°F
Storage temperature	-20°C to +50°C / -4°F to 122°F
Relative humidity	0 - 90%
Dimensions inc. handle and feet (L x W x H)	Approximately 40.0 x 50.6 x 20.6 cm / 15.74 x 19.9 x 8.11 inch
Weight	<ul style="list-style-type: none"> • 8.7 kg (empty) • ± 12.5 kg (full)

Accessories

» Unite CC Trolley 71.98.4047

Dimensions in mm and [inches]



HQ Belgium

+32 51 30 30 45

conference@televic.com

<https://www.televic.com/en/conference>

Asia

+86 21 61 48 01 23

conference@televic.com

www.televic-conference.com.cn

France

+33 3 74 09 52 76

conference-france@televic.com

www.televic-conference.fr

United States

+1 916 920 0901

conference-us@televic.com

All information copyright Televic Conference, 2025.

Televic reserves the right to change this document without notice.

Version 1.1