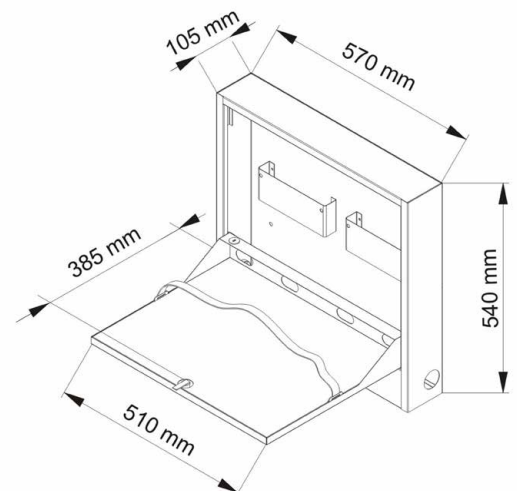




M Public Computer Security Cabinet Basic

Cabinet is intended for storage of laptops in classrooms. It is designed in a way that enables mounting on the wall and easy cable management. That is why it represents a unique solution when used with interactive boards. You don't need to plug in all the cables at the beginning of a presentation. Simply unlock the box, open it and start using your laptop, projector and interactive board. Cabinet also has two drawers where, pens, remote control and stationary can be placed. Of course you can use Public Computer Security Cabinet as single unit just for storage of laptop thus eliminating daily carrying of your laptop when leaving the classroom.



Specifications:

Suitable for laptops up to 19"

Dimensions: 570 x 540 x 105 mm (WxHxD)

Door dimensions: 510 x 385 mm

Two drawers

Easy cable management