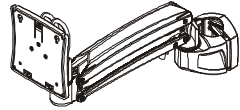
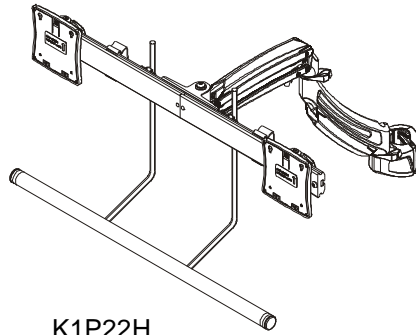


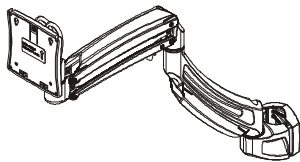
# INSTALLATION INSTRUCTIONS



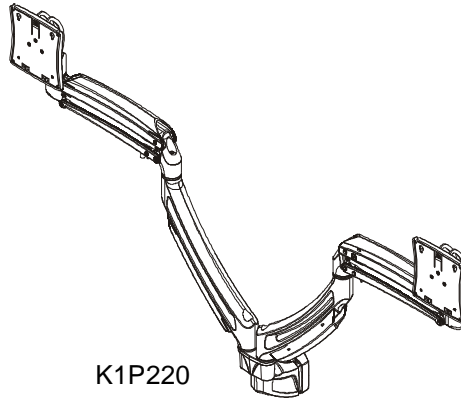
K1P110



K1P22H



K1P120



K1P220

---

## K1P Pole Mounts

---

## DISCLAIMER

Milestone AV Technologies and its affiliated corporations and subsidiaries (collectively "Milestone"), intend to make this manual accurate and complete. However, Milestone makes no claim that the information contained herein covers all details, conditions or variations, nor does it provide for every possible contingency in connection with the installation or use of this product. The information contained in this document is subject to change without notice or obligation of any kind. Milestone makes no representation of warranty, expressed or implied, regarding the information contained herein. Milestone assumes no responsibility for accuracy, completeness or sufficiency of the information contained in this document.

Chief® is a registered trademark of Milestone AV Technologies. All rights reserved.

## DEFINITIONS

**MOUNTING SYSTEM:** A MOUNTING SYSTEM is the primary Chief product to which an accessory and/or component is attached.

**ACCESSORY:** AN ACCESSORY is the secondary Chief product which is attached to a primary Chief product, and may have a component attached or setting on it.

**COMPONENT:** A COMPONENT is an audiovisual item designed to be attached or resting on an accessory or mounting system such as a video camera, CPU, screen, display, projector, etc.



**WARNING:** A WARNING alerts you to the possibility of serious injury or death if you do not follow the instructions.



**CAUTION:** A CAUTION alerts you to the possibility of damage or destruction of equipment if you do not follow the corresponding instructions.



## IMPORTANT SAFETY INSTRUCTIONS!



**WARNING:** Failure to read, thoroughly understand, and follow all instructions can result in serious personal injury, damage to equipment, or voiding of factory warranty! It is the installer's responsibility to make sure all mounting systems/accessories are properly assembled and installed using the instructions provided.



**WARNING:** Failure to provide adequate structural strength for this mounting system can result in serious personal injury or damage to equipment! It is the installer's responsibility to make sure the structure to which this mounting system is attached can support five times the combined weight of all equipment. Reinforce the structure as required before installing the mounting system.



**WARNING:** Use this mounting system only for its intended use as described in these instructions. Do not use attachments not recommended by the manufacturer.



**WARNING:** Never operate this mounting system if it is damaged. Return the mounting system to a service center for examination and repair.



**WARNING:** Do not use this product outdoors.



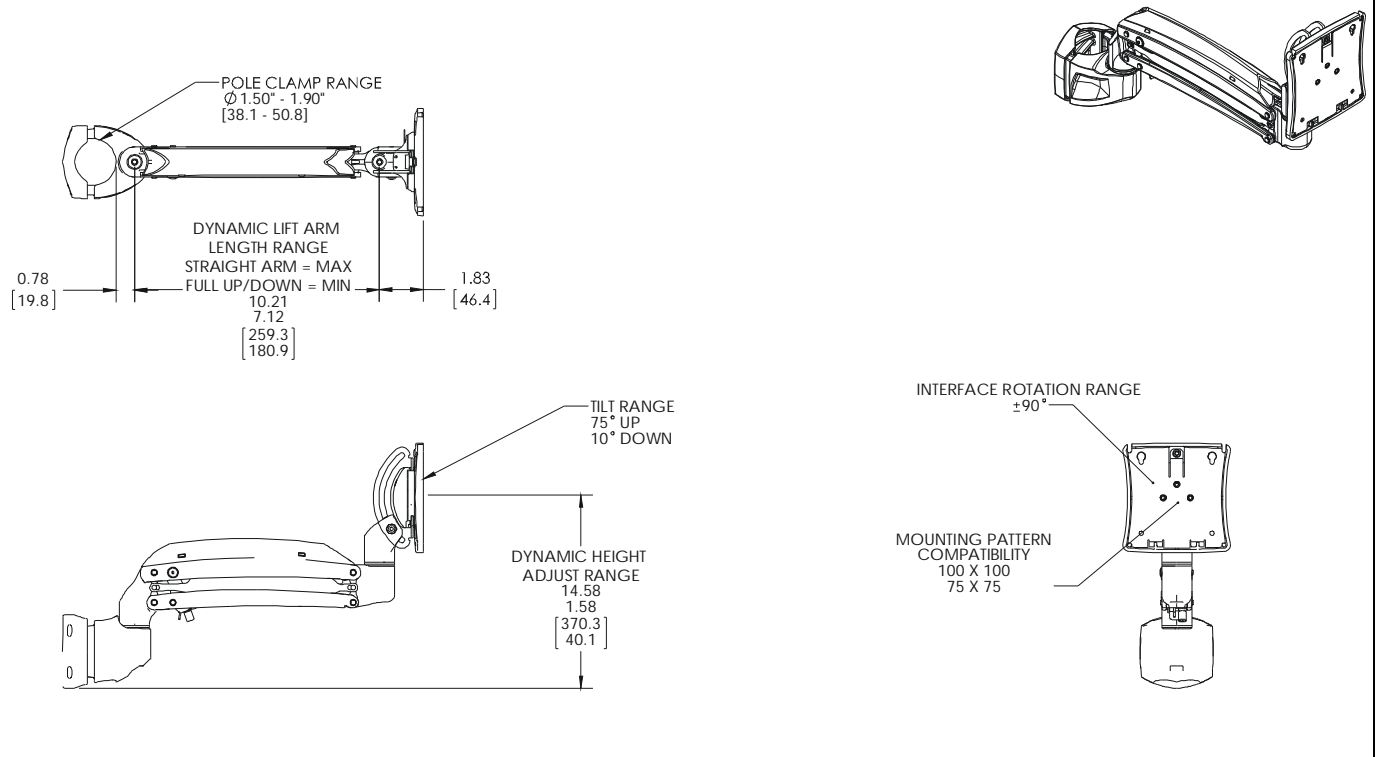
**WARNING:** Exceeding the weight capacity can result in serious personal injury or damage to equipment! It is the installer's responsibility to make sure the combined weight of all components located attached to the K1P Series Monitor Arm up to (and including) the display does not exceed the weight limits listed below. Use with products heavier than the maximum weight indicated may result in collapse of the mount and its accessories causing possible injury.

MODEL	Max Weight Allowed for EACH Display	Max Weight Capacity of Mounting System
K1P110	25 lbs (11.34 kg)	25 lbs (11.34 kg)
K1P120	25 lbs (11.34 kg)	25 lbs (11.34 kg)
K1P22H	9 lbs (4.08 kg)	18 lbs (8.16 kg)
K1P220	25 lbs (11.34 kg)	50 lbs (22.68 kg)

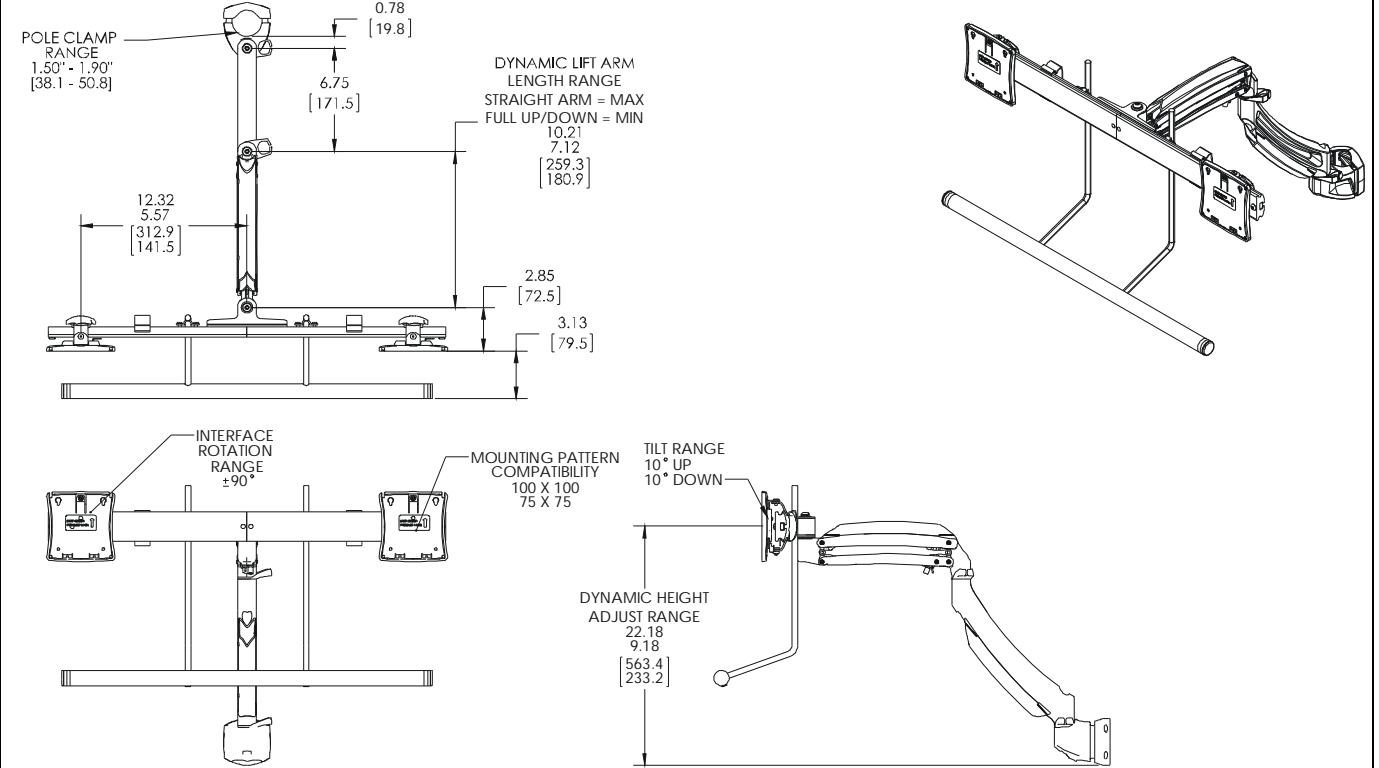
**--SAVE THESE INSTRUCTIONS!--**

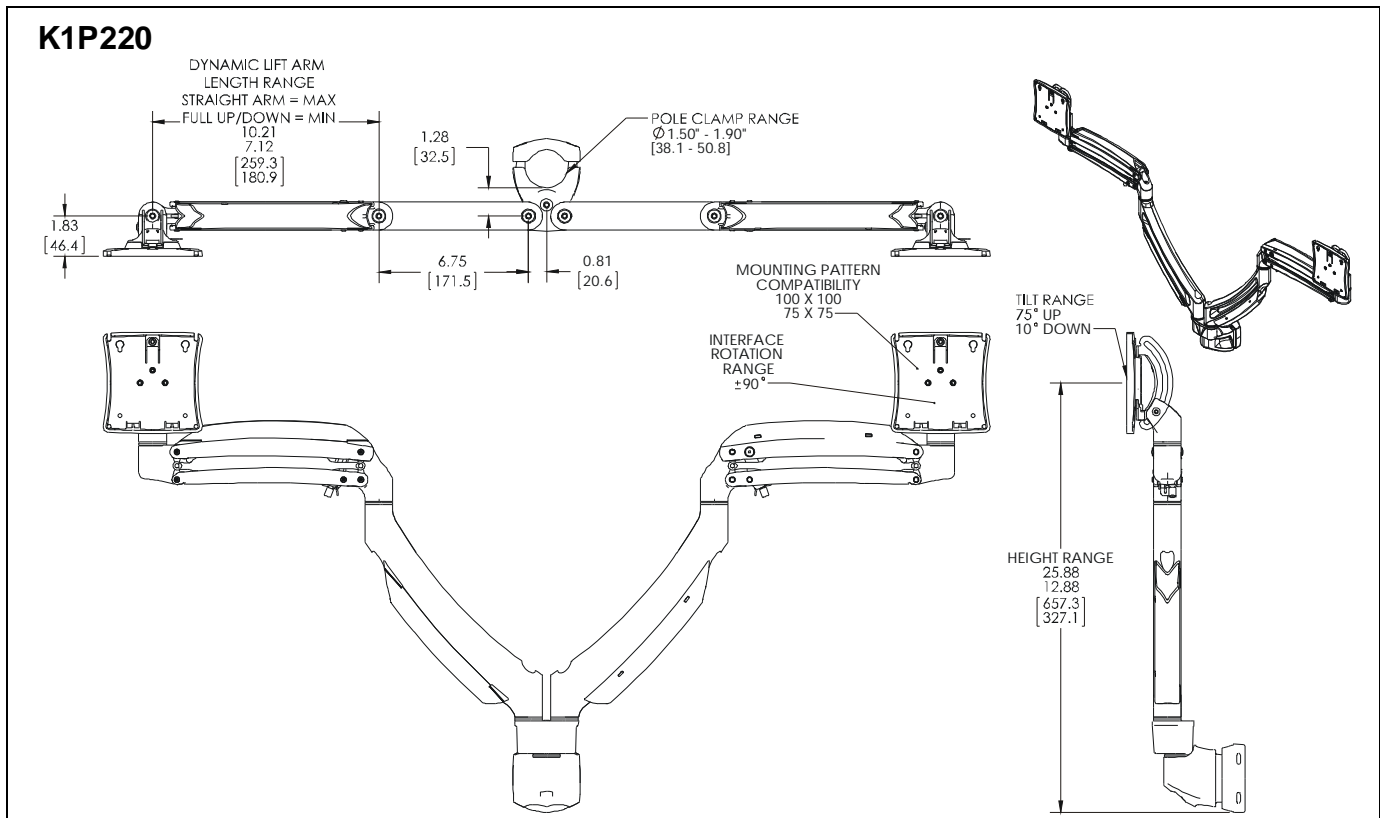
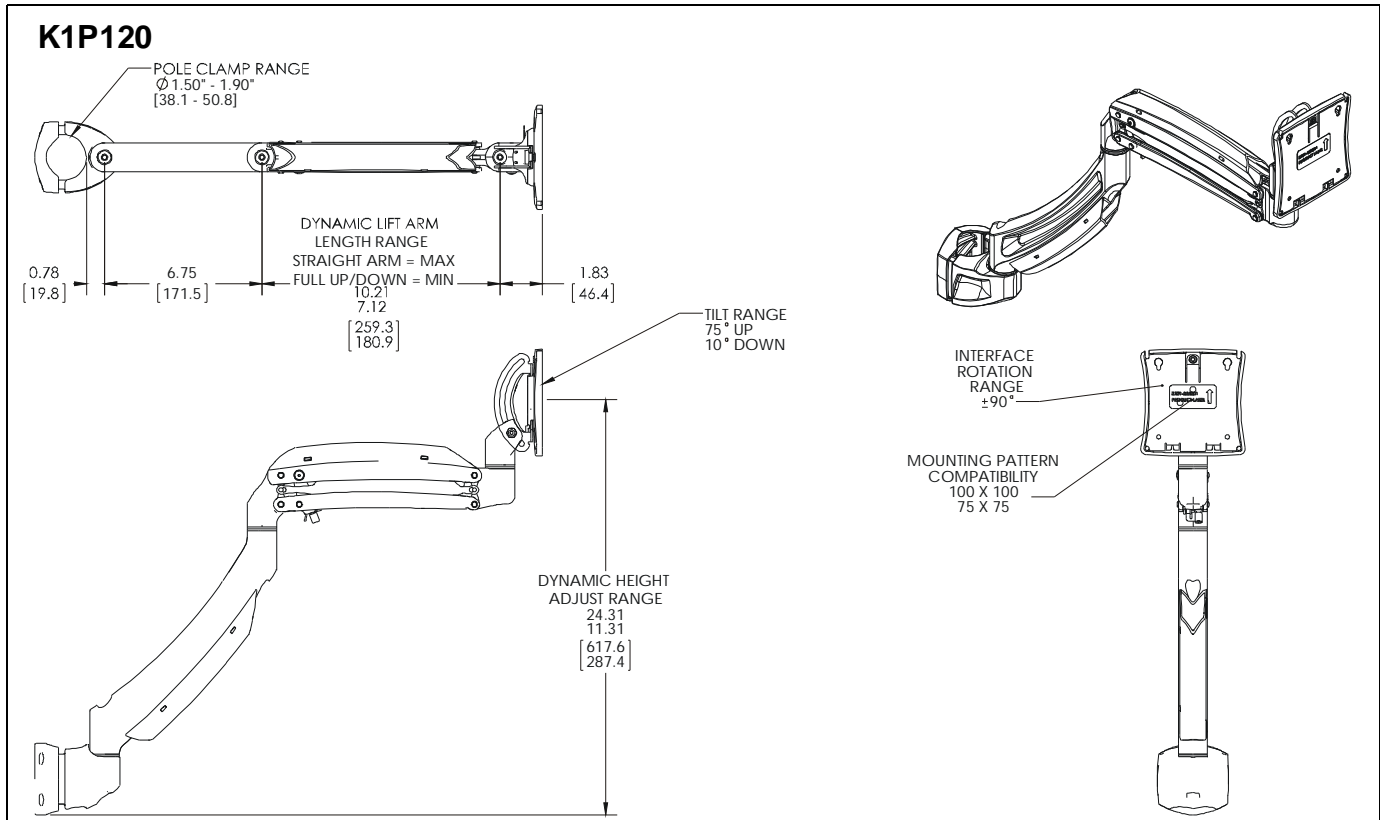
**DIMENSIONS**

**K1P110**

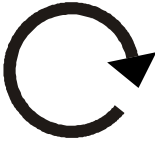

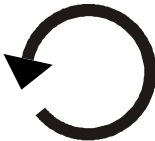











**K1P22H**

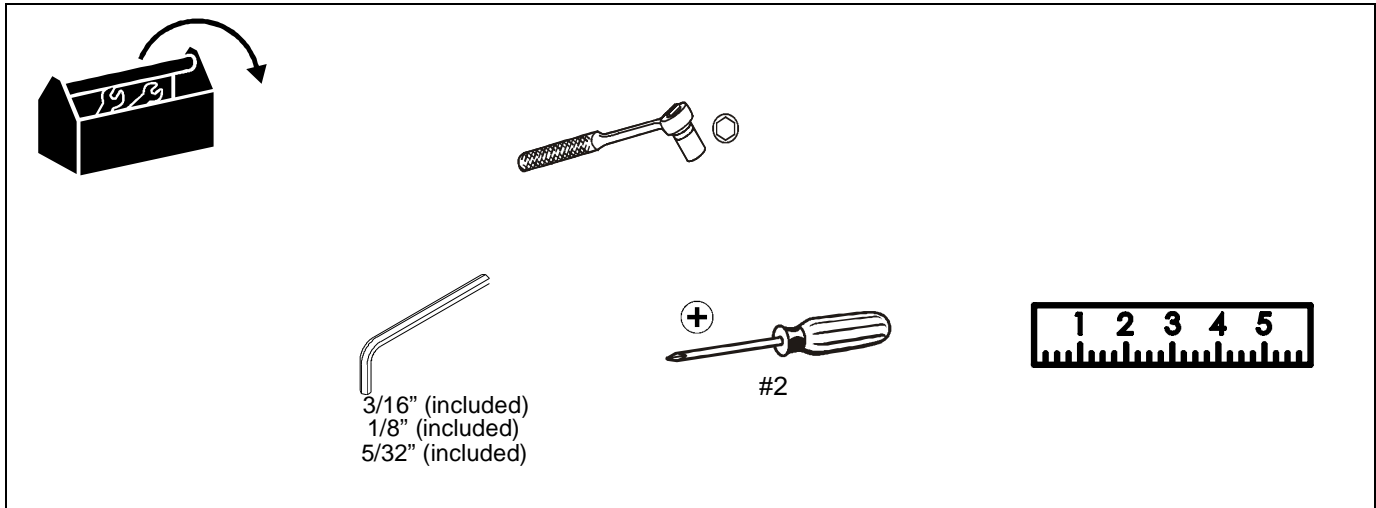




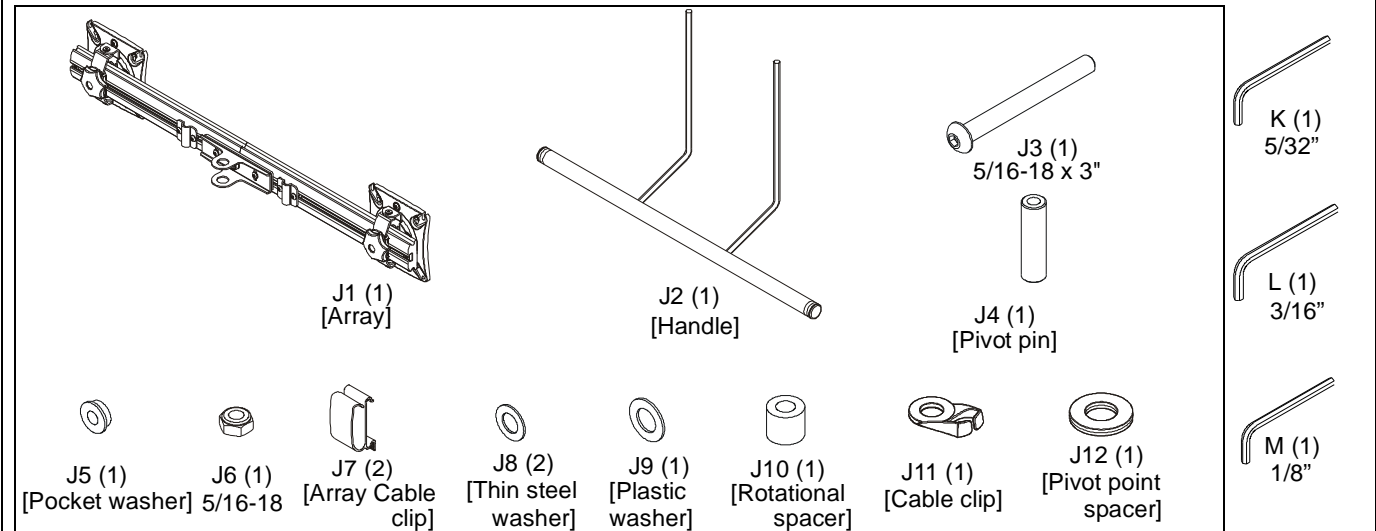
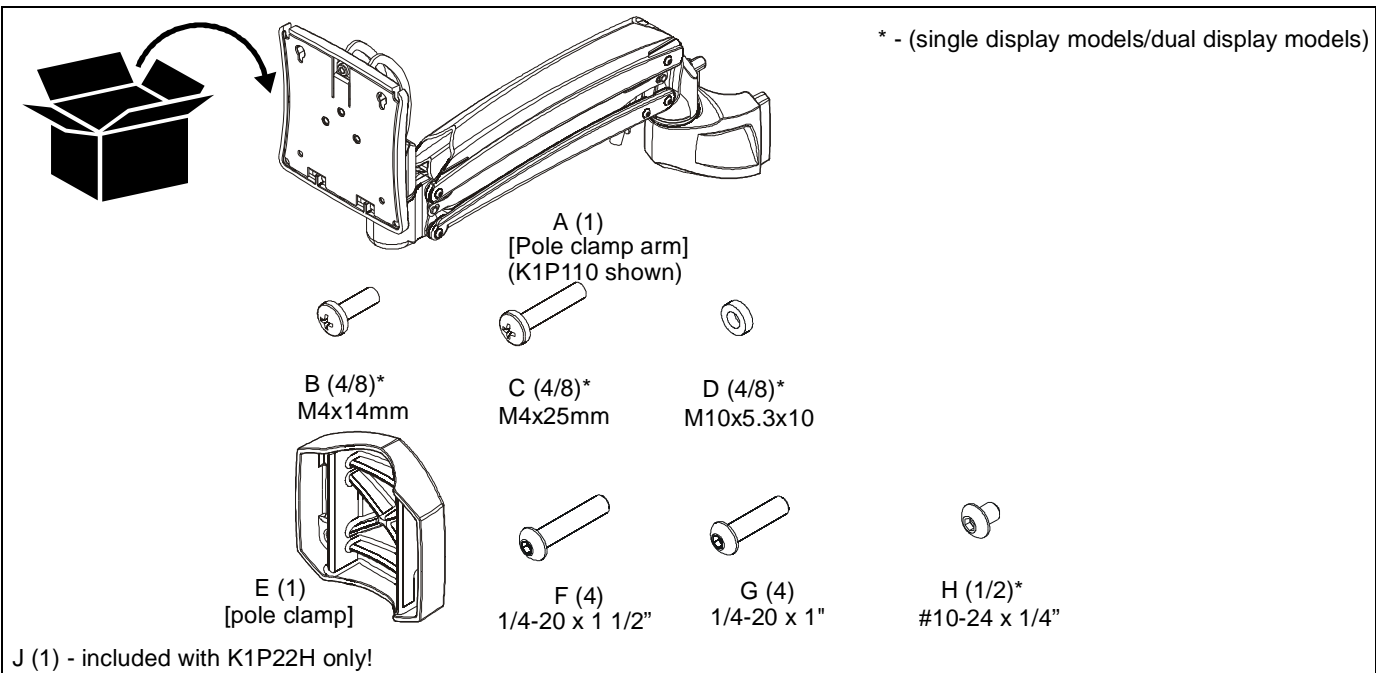
**LEGEND**

	<p><b>Tighten Fastener</b></p> <p>Apretar elemento de fijación</p> <p>Befestigungsteil festziehen</p> <p>Apertar fixador</p> <p>Serrare il fissaggio</p> <p>Bevestiging vastdraaien</p> <p>Serrez les fixations</p>		<p><b>Pencil Mark</b></p> <p>Marcar con lápiz</p> <p>Stiftmarkierung</p> <p>Marcar com lápis</p> <p>Segno a matita</p> <p>Potloodmerkteken</p> <p>Marquage au crayon</p>
	<p><b>Loosen Fastener</b></p> <p>Aflojar elemento de fijación</p> <p>Befestigungsteil lösen</p> <p>Desapertar fixador</p> <p>Allentare il fissaggio</p> <p>Bevestiging losdraaien</p> <p>Desserrez les fixations</p>		<p><b>Drill Hole</b></p> <p>Perforar</p> <p>Bohrloch</p> <p>Fazer furo</p> <p>Praticare un foro</p> <p>Gat boren</p> <p>Percez un trou</p>
	<p><b>Phillips Screwdriver</b></p> <p>Destornillador Phillips</p> <p>Kreuzschlitzschraubendreher</p> <p>Chave de fendas Phillips</p> <p>Cacciavite a stella</p> <p>Kruiskopschroevendraaier</p> <p>Tournevis à pointe cruciforme</p>		<p><b>Adjust</b></p> <p>Ajustar</p> <p>Einstellen</p> <p>Ajustar</p> <p>Regolare</p> <p>Afstellen</p> <p>Ajuster</p>
	<p><b>Open-Ended Wrench</b></p> <p>Llave de boca</p> <p>Gabelschlüssel</p> <p>Chave de bocas</p> <p>Chiave a punte aperte</p> <p>Steeksleutel</p> <p>Clé à fourche</p>		<p><b>Remove</b></p> <p>Quitar</p> <p>Entfernen</p> <p>Remover</p> <p>Rimuovere</p> <p>Verwijderen</p> <p>Retirez</p>
	<p><b>By Hand</b></p> <p>A mano</p> <p>Von Hand</p> <p>Com a mão</p> <p>A mano</p> <p>Met de hand</p> <p>À la main</p>		<p><b>Optional</b></p> <p>Opcional</p> <p>Optional</p> <p>Opcional</p> <p>Opzionale</p> <p>Optie</p> <p>En option</p>
	<p><b>Hex-Head Wrench</b></p> <p>Llave de cabeza hexagonal</p> <p>Sechskantschlüssel</p> <p>Chave de cabeça sextavada</p> <p>Chiave esagonale</p> <p>Zeskantsleutel</p> <p>Clé à tête hexagonale</p>		<p><b>Security Wrench</b></p> <p>Llave de seguridad</p> <p>Sicherheitsschlüssel</p> <p>Chave de segurança</p> <p>Chiave di sicurezza</p> <p>Veiligheidssleutel</p> <p>Clé de sécurité</p>

**TOOLS REQUIRED FOR INSTALLATION**



**PARTS**



## Assembly And Installation

### Connecting to Pole

1. Determine approximate location for mount keeping in mind display size, extension, height adjustment requirements.
2. Place mount (A) against pole with clamp (E) on opposite side of pole. (See Figure 1)

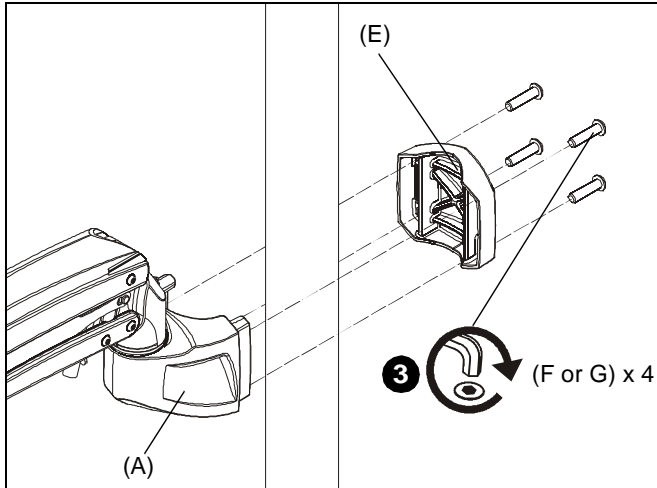


Figure 1

3. Using 5/32" hex key (L) and appropriate length screws, loosely attach assembly to pole clamp (E). If installing to 1 1/2" NPT pipe, use 1/4-20 x 1 1/2" button head cap screws (F). If installing to 1 1/2" diameter pipe, use 1/4-20 x 1" button head cap screws (G). (See Figure 1)
4. Position mount at desired height and orientation.
5. Equally tighten screws against mount and the pole clamp.

### Array Installation (K1P22H ONLY)

1. Slide rotational spacer (J10) into opening on array attachment bracket. (See Figure 2)
2. Use 5/16-18 x 3" button head cap screw (J3), two thin steel washers (J8), plastic spacer (J9), pocket washer (J5), pivot pin (J4), pivot point spacer (J12) and 5/16-18 lock nut (J6) to secure array (J1) to K1 arm (A). (See Figure 2)

**NOTE:** Cable clip (J11) can be used in place of pivot point spacer (J12) if additional cable management is desired. (See Figure 2)

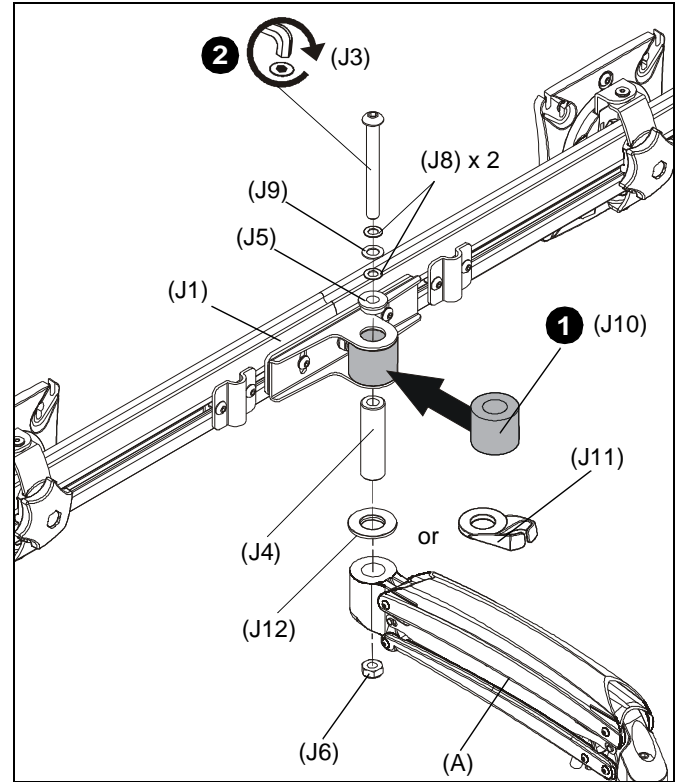


Figure 2

### Display Installation

1. Remove quick release faceplate from mount by pulling quick release lever and sliding faceplate off mount. (See Figure 3)

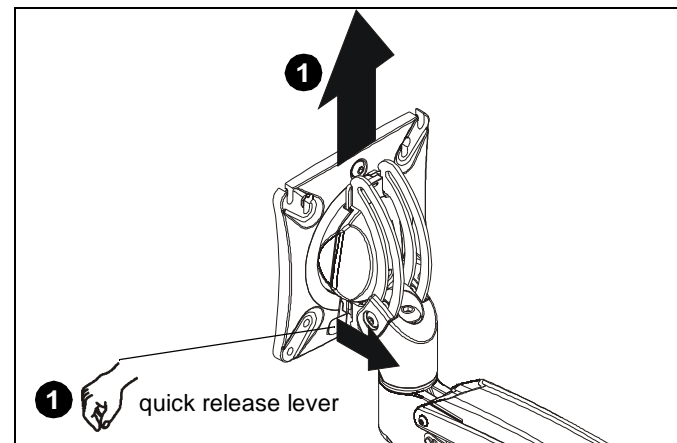


Figure 3



**WARNING:** Only remove display from mount when the display can be lifted up from the mount! DO NOT remove display unless the display is in the upright position! See Display Removal section for details.



**WARNING:** Exceeding the weight capacity can result in serious personal injury or damage to equipment! It is the installer's responsibility to make sure the combined weight of all components attached to the K1P Series Monitor Arm up to (and including) the display does not exceed the weight limits listed below. Use with products heavier than the maximum weight indicated may result in collapse of the mount and its accessories causing possible injury.

MODEL	Max Weight Allowed for <u>EACH</u> Display	Max Weight Capacity of Mounting System
K1P110	25 lbs (11.34 kg)	25 lbs (11.34 kg)
K1P120	25 lbs (11.34 kg)	25 lbs (11.34 kg)
K1P22H	9 lbs (4.08 kg)	18 lbs (8.16 kg)
K1P220	25 lbs (11.34 kg)	50 lbs (22.68 kg)

- Carefully place display face down on protective surface.
- Connect faceplate to display

For flush mounting hole installation:

- Using Phillips screwdriver, carefully install four M4x14mm screws (B) through corresponding holes on faceplate and into the mounting holes on the display. (See Figure 4)

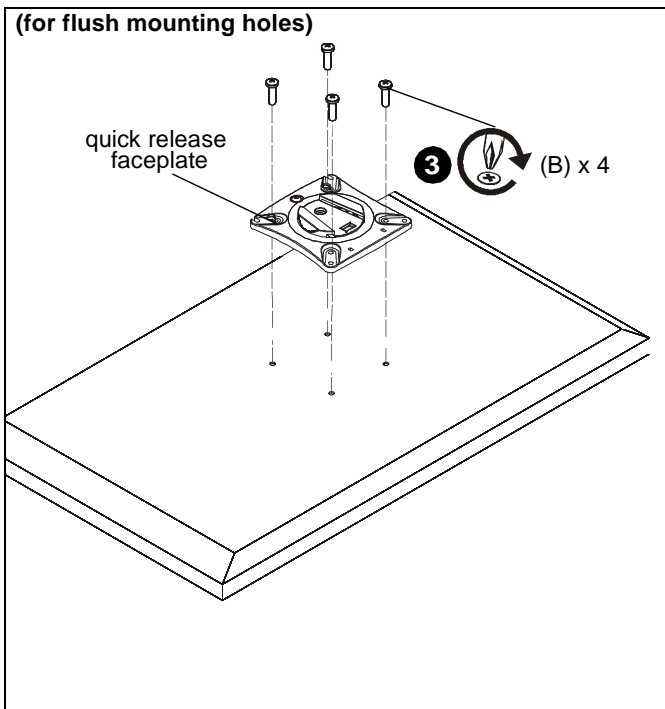


Figure 4

For recessed mounting hole installation:

- Place four spacers (D) on top of mounting holes on back of display. (See Figure 5)
- Using Phillips screwdriver, carefully install four M4x25mm screws (C) through corresponding holes on faceplate, spacers (D) and into the mounting holes on the display. (See Figure 5)

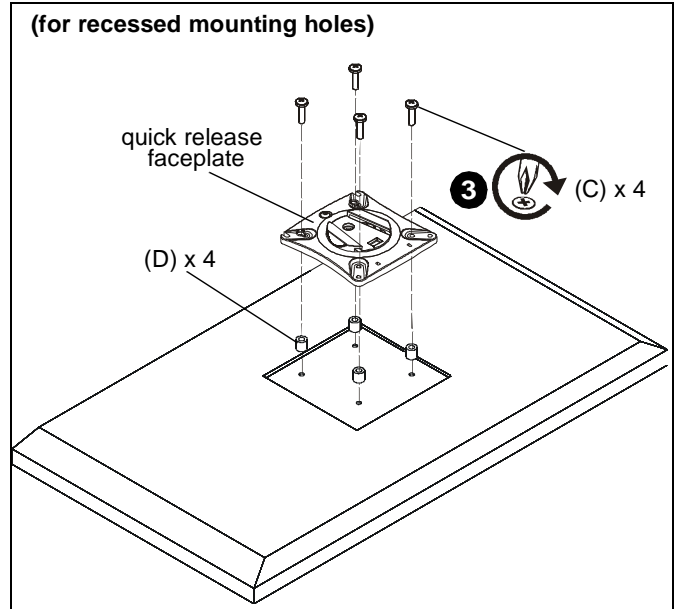


Figure 5

- Position display with faceplate attached above mount. (See Figure 6)
- Slide faceplate onto mounting head until quick release tab clicks into place. (See Figure 6)

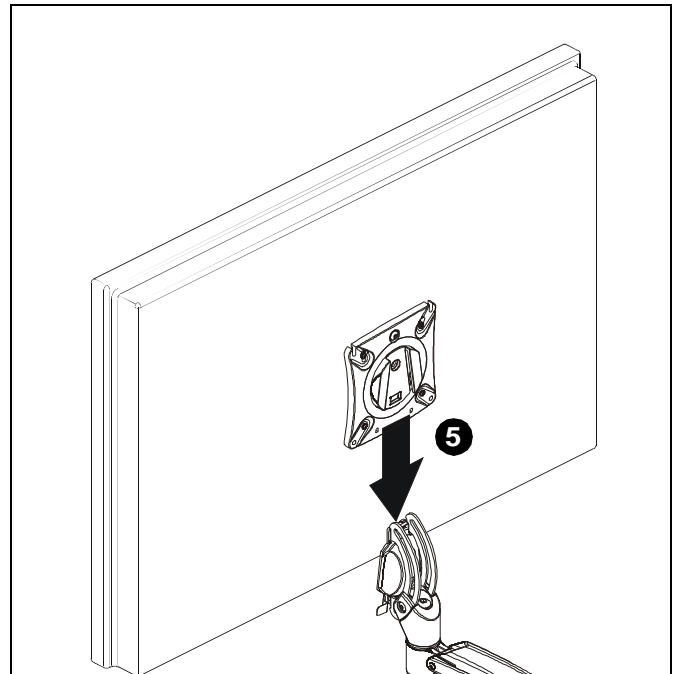
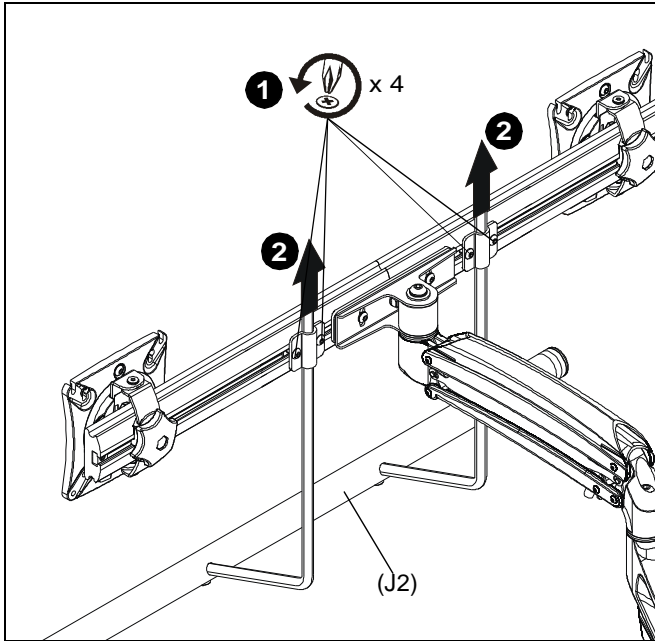


Figure 6



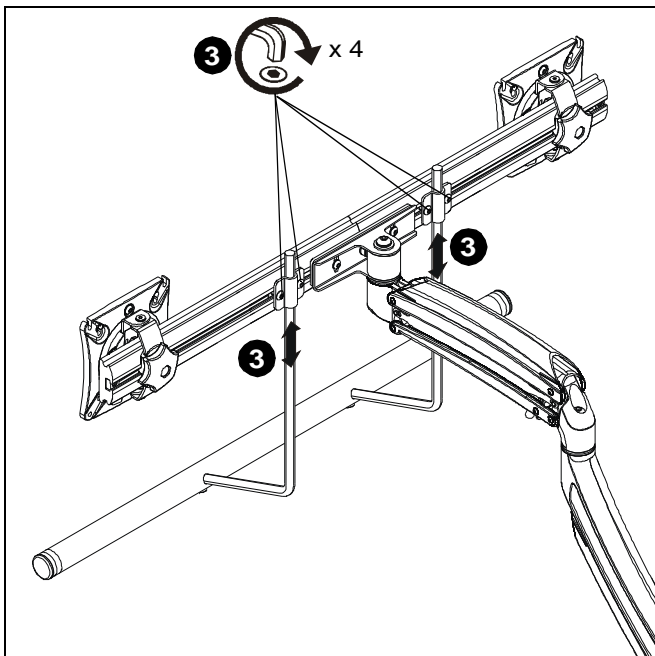
**Handle Installation (K1P22 model only)**

1. Loosen four screws securing handle brackets to K1P22 array. (See Figure 7)
2. Install uprights of handle (J2) into handle brackets located on the back of array. (See Figure 7)



**Figure 7**

3. Position handle (J2) at desired height and secure by tightening button head cap screws attaching handle brackets to array. (See Figure 8)



**Figure 8**

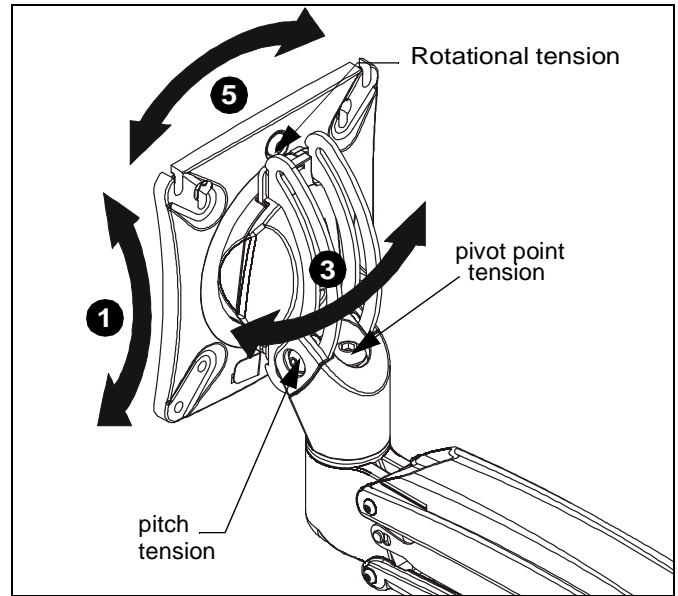
**Adjustments**

**Pitch Adjustment (non-array models)**

1. Adjust pitch to desired tilt position. (See Figure 9)
2. Adjust pitch tension screw to change the adjustment tension. (See Figure 9)

**Pivot Adjustment (non-array models)**

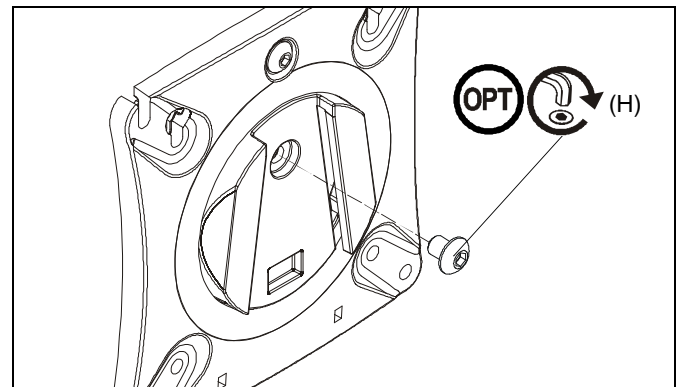
3. Adjust pivot position as desired. (See Figure 9)
4. Use 3/16" hex key (L) to adjust pivot point tension screws to change pivot adjustment tension. (See Figure 9)



**Figure 9**

**Rotational Adjustment**

**NOTE:** (Optional) Rotational adjustment may be locked by installing rotational locking screw (H) into back of faceplate. (See Figure 10)



**Figure 10**

5. The monitor may be adjusted 90 degrees in either direction in order to provide a portrait view of the monitor. (See Figure 9)
6. Use 3/16" hex key (L) to adjust rotational adjustment screw to adjust rotational tension. (See Figure 9)

### Lift Arm Tension Adjustment

1. Tension may be adjusted with tension adjustment screw inside cable management cover and 1/8" hex key (M). Turn clockwise to reduce tension or counter-clockwise to increase tension. (See Figure 11)

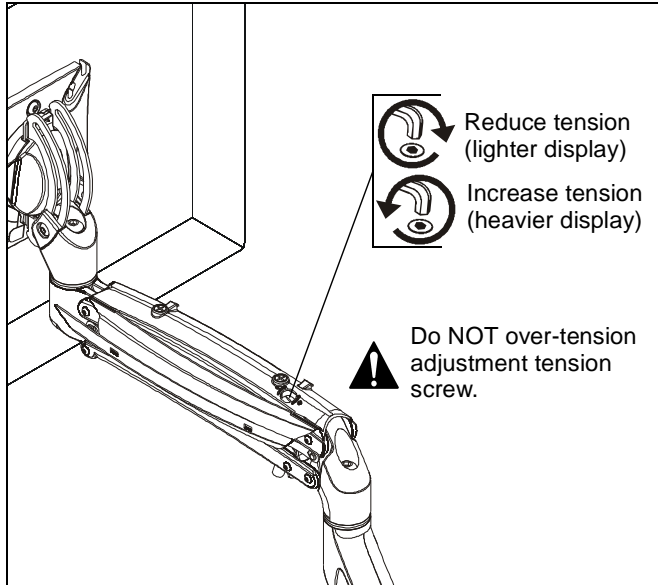


Figure 11

### Adjustments - K1P22H models only

1. Loosen knobs securing faceplates to array. (See Figure 12)
2. Slide displays laterally on array to adjust lateral shift. (See Figure 12)
3. Adjust pitch and pivot position as desired. (See Figure 12)
4. Tighten knobs to secure faceplates in position. (See Figure 12)

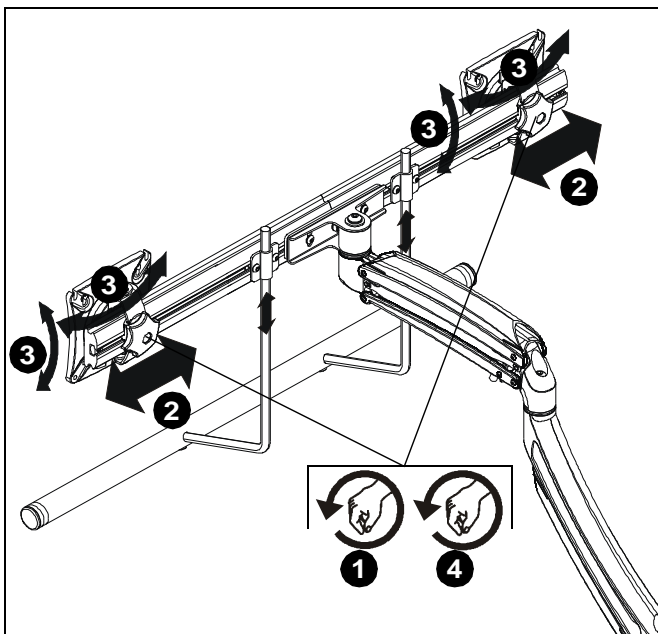


Figure 12

### Array Bar Roll Adjustment

1. Loosen roll adjustment screws on back of array bracket. (See Figure 13)
2. Adjust roll of array bar as desired. (See Figure 13)
3. Tighten roll adjustment screws on back of array bracket. (See Figure 13)

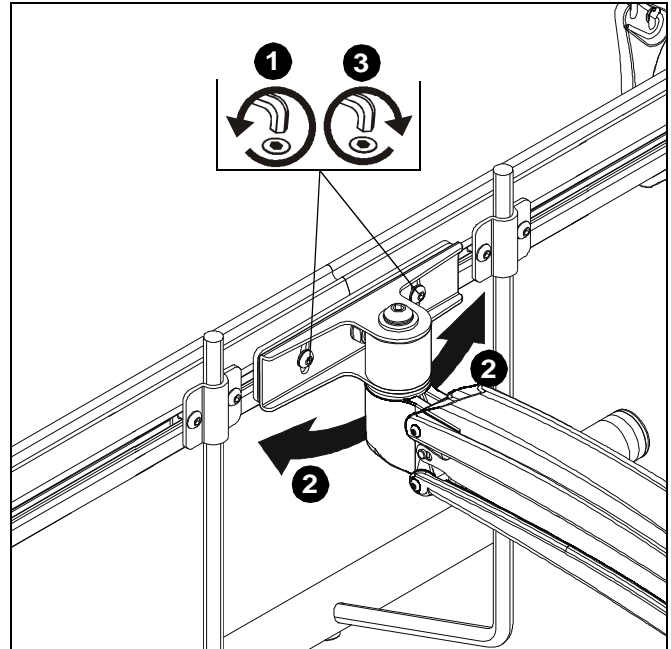


Figure 13

### Display Removal



**WARNING:** Only remove display from mount when the display can be lifted up from the mount! DO NOT remove display unless the display is in the upright position! (See Figure 14)

1. Make sure display is in the upright position.
2. Remove quick release faceplate from mount by pulling quick release lever and sliding faceplate off mount. (See Figure 14)

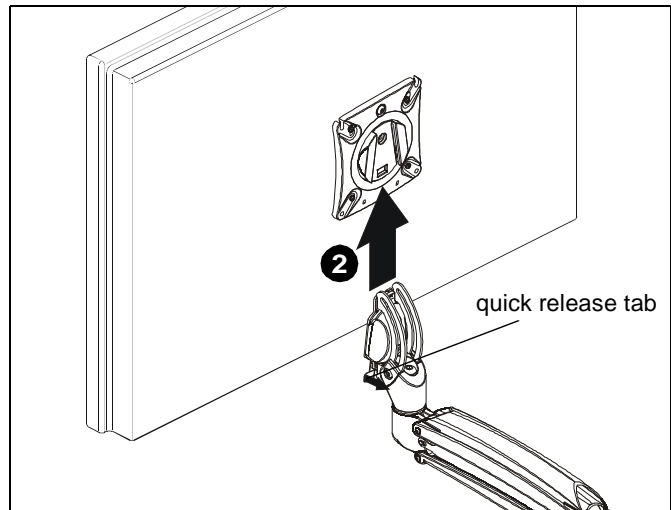


Figure 14

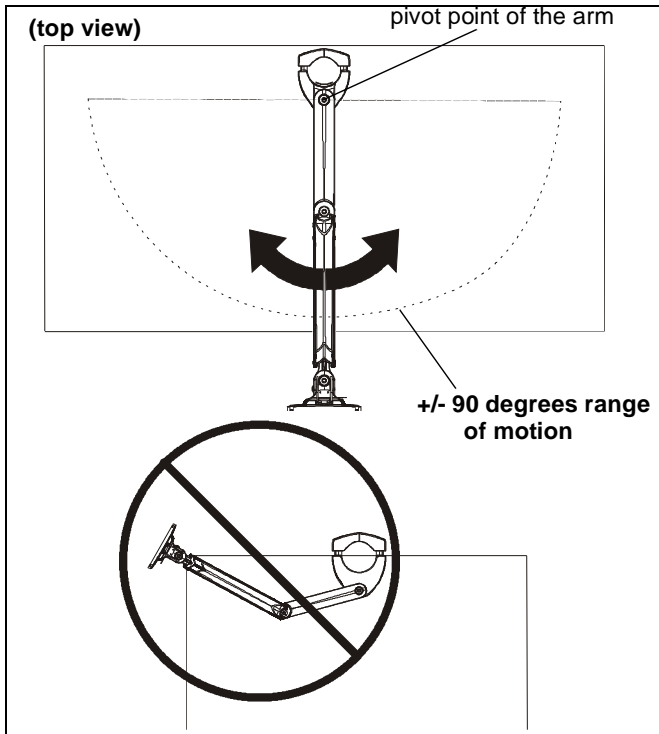
**Pivot Adjustment Range**

**Single Arm Models**

1. Adjust arm angle as desired up to 90 degrees in either direction. (See Figure 15)



**WARNING:** Swinging the arm beyond 90 degrees may result in the mount slipping off the desk causing serious injury!



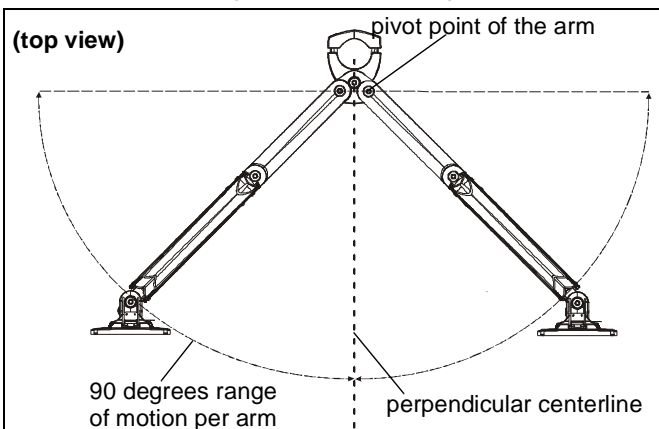
**Figure 15**

**Dual Arm Models**

1. Adjust arm angles as desired within a 90 degree range from the pivot point of the arm and a perpendicular centerline of mount. (See Figure 16)



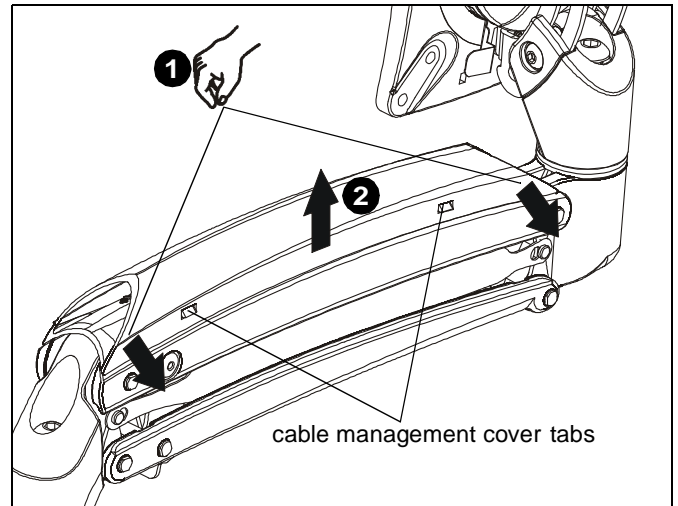
**WARNING:** Swinging the arm beyond this range may result in the mount slipping of the desk causing serious injury!



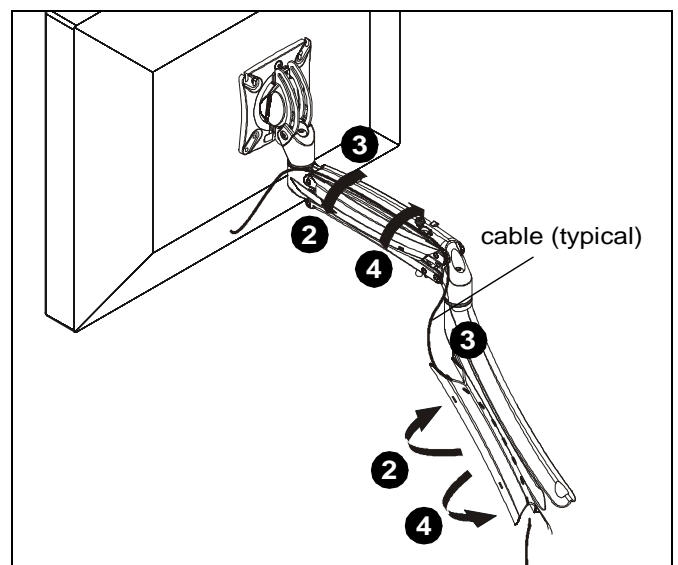
**Figure 16**

**Cable Management**

1. Press insides of cable management covers at both ends to unhinge tabs on either end of cable management cover on upper arm. (See Figure 17)
2. Lift cable management cover up until tabs are unhinged and cover is in the "open" position. (See Figure 17)



**Figure 17**



**Figure 18**

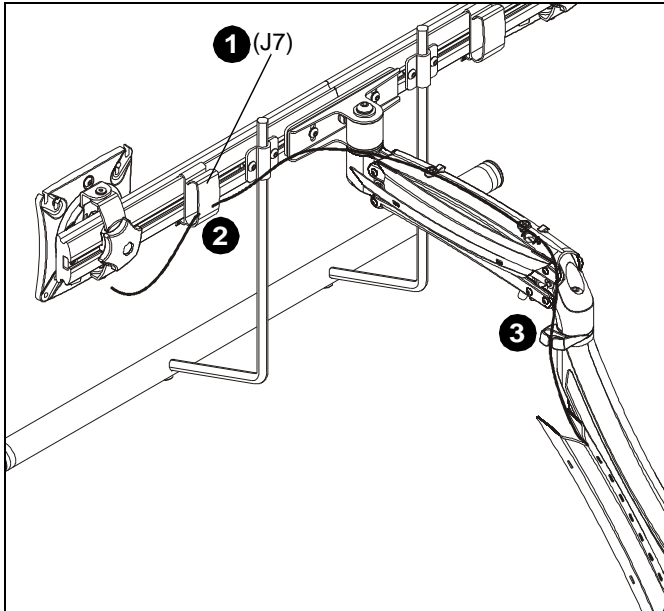
3. Route cables through cable management channels. (See Figure 18)

**IMPORTANT ! :** Be sure to leave enough slack in the cables near display and arm joint to allow for full arm articulation!

4. Close cable management covers on monitor arm. (See Figure 18)
5. Repeat Steps 1-4 for lower arm.

**Array Models**

1. Install array cable clips (J7) to back of array. (See Figure 19)
2. Route cables through array cable clips (J7) as desired. (See Figure 19)
3. Route cables through arm cable clips as desired. (See Figure 19)

**Figure 19**









Our Mounts. **Your Vision.**

Chief, a products division of  
Milestone AV Technologies

8800-002479 Rev02  
©2016 Milestone AV Technologies  
[www.milestone.com](http://www.milestone.com)  
06/16

**USA/International**    **A** 6436 City West Parkway, Eden Prairie, MN 55344  
                                  **P** 800.582.6480 / 952.225.6000  
                                  **F** 877.894.6918 / 952.894.6918

**Europe**                 **A** Franklinstraat 14, 6003 DK Weert, Netherlands  
                                  **P** +31 (0) 495 580 852  
                                  **F** +31 (0) 495 580 845

**Asia Pacific**         **A** Office No. 918 on 9/F, Shatin Galleria  
                                  18-24 Shan Mei Street  
                                  Fotan, Shatin, Hong Kong  
                                  **P** 852 2145 4099  
                                  **F** 852 2145 4477

