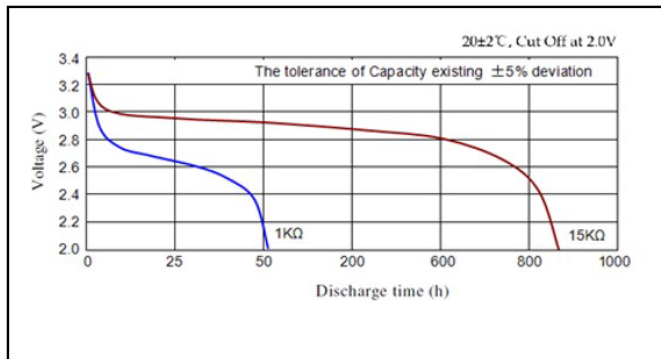


**Description** : Flat Lithium Battery  
**Chemical system** : Lithium Manganese  
**Nominal voltage** : 3 Volts  
**Nominal capacity** : 165mAh  
**Dimensions** : Ø20mm x 2.5mm  
**Shelf life** : 10 years at room temperature  
**Average weight** : 2.5 grams  
**Temperature range** : -20°C ~60°C

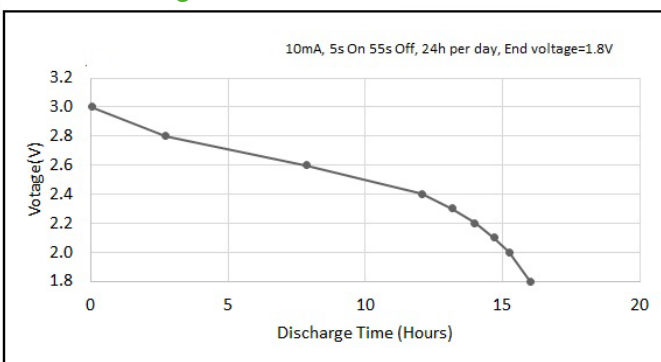
### Cross References:

IEC	JIS	Panasonic	Varta
CR2025	CR2025	CR2025	CR2025

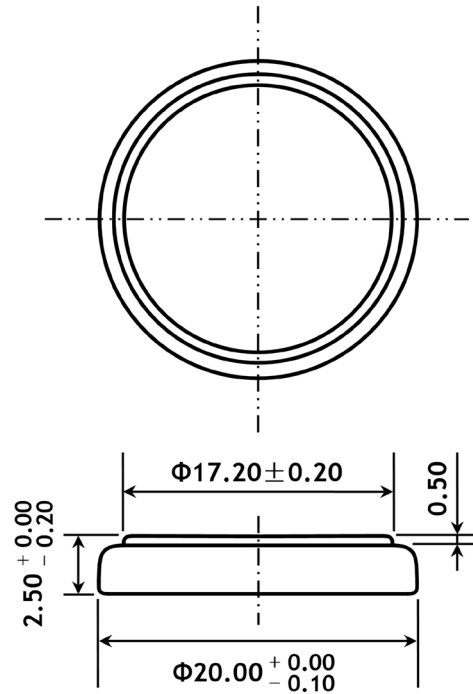
### Discharge Characteristics



### Pulse discharge characteristics



Model No.: **CR2025**



Dimension Drawing

The information (subject to change without prior notice) contained in this document is for reference only and should not be used as a basis for product guarantee or warranty. For applications other than those described here, please consult your nearest GP Sales and Marketing Office or Distributors.