

# FORUM™ COLLABORATION SUITE

**This is how Hybrid works.** Forum™ has a Free Standing or Floor-to-Wall mounted Display Stand with an included Chief Fusion display mount that can be paired with Forum Angle or Arc shaped tables to define your space for hybrid collaboration.

## FEATURES

### Forum™ Display Stand Features & Benefits

- Free standing or floor-to-wall mounted with an included Chief Fusion Fixed display mount
- 4RU of vertical equipment mounting with access via doors on the front and panels on the back (rear panels on free standing only)
- Included Lever Lock™ plate with optional Lever Lock kit for more small device mounting
- Includes display shroud (3 sizes available for displays ranging from 42" to 75")
- Stand and included display shroud wrapped in acoustic felt material to limit audio reverberation for the highest quality audio experience for local and remote participants
- The slim base on the free standing and floor-to-wall takes up minimal floor space and can accept Wiremold OFR and Connectrac raceways underneath with the 1" leveling foot

### Forum™ Angle Table Features & Benefits

- Angle shaped table allows for everyone's face to be seen by the remote participants and still easily interact in-person
- Two table size options. 3 person table for smaller meeting spaces or 5 person table for medium meeting space
- Worksurface manufactured in compact laminate for a ultra thin durable worksurface that can withstand day-to-day meetings the worksurface for clean lines and no cord clutter
- Included modesty panel covers internal cable management
- Add optional Wiremold ModPower modular power system for device charging hubs at the users seat

### Forum™ Arc Table Features & Benefits

- The Arc shaped table allows for all in-person participants to directly face the remote participants
- Supports up to 3 people
- Connect two Arc tables together for larger groups
- Worksurface manufactured in compact laminate for a ultra thin, durable worksurface that can withstand day-to-day meetings
- Built-in cable management within the table legs and underneath the worksurface for clean lines and no cord clutter.
- Included modesty panel covers internal cable management
- Add optional Wiremold ModPower modular power system for device charging hubs at the users seat



Forum™ Floor-to-Wall  
Display Stand



Forum™ Free-Standing  
Display Stand



Forum™ 3-Person  
Arc Table



Forum™ 5-Person  
Angle Table

LEGRAND | AV COMMERCIAL BRANDS

C2G | Chief | Da-Lite | Luxul | Middle Atlantic | Vaddio | Wiremold

# FORUM™ COLLABORATION SUITE

---

## SPECIFICATIONS

The Forum Display Stand shall be Middle Atlantic Products model # \_\_\_\_\_ (refer to chart). The Forum Display Stand shall be offered in free standing or floor-to-wall mounted versions. Overall dimensions of the Forum Display Stand shall be \_\_\_" H x \_\_\_" W x \_\_\_" D (see drawing). The Forum Display Stand display height shall be from \_\_\_ to \_\_\_ (refer to chart). The Forum Display Stand shall include a Chief Fusion Display Mount supporting up to a 75" display and supports 150lbs. The Forum Display Stand shall have pre-installed leveling glides. The Forum Display Stand shall have a \_\_\_\_\_ (refer to chart) finish. The Forum Display Stand shall include a display shroud. The Forum Display Stand shall have a steel subframe. The Forum Display Stand shall have a acoustic felt made from polyethylene terephthalate (PET) covering (Upper 2/3) and compact laminate (lower 1/3). The Forum Display Stand shall provide 2x 2 rackspace verticala mounting (4RU total) with a maximum of \_\_\_" usable depth (refer to drawing) and 100lbs weight capacity (50lbs per bay). The Forum Display Stand shall include a Lever Lock system: (LL-VP2110). To add more Leverlock in the same area, see the option Lever Lock kit (DSA-DW-LLKIT1).

The Forum Display Stand shall have knockouts for six AVIP panels and two Single Gang Box knockouts. The Forum Display Stand shall accommodate one display and have horizontal VESA mounting patterns of 300, 400, 500, 600 and 800, and a vertical VESA pattern of 100, 200, 300 and 400. The Forum Display Stand shall have an overall weight capacity of 190 lb., with no more than 175 lb. for the monitor and 50 lb. mounted inside. The Forum Display Stand shall be warrantied to be free from defects in material or workmanship under normal use and conditions for 10 years, sheet metal components shall be warrantied to be free from defects in material or workmanship under normal use and conditions for the lifetime of the product. The Forum Display Stand shall be manufactured by an ISO 9001 and ISO 14001 registered company.

The Forum Table shall be Middle Atlantic Products model # \_\_\_\_\_ (refer to chart). The Forum Table shall include a worksurface constructed of .5" thick compact laminate. The Forum Angle Table shall be \_\_\_" wide and \_\_\_" long (refer to drawing) and 30" or 38" from the floor. Worksurface to have a compact laminate finish with a black edge. The Forum Arc Table shall be 87.34" wide and 33" deep and 30" or 38" from the floor. Worksurface to have a compact laminate finish with a black edge. The Forum Table shall include integrated cable management on the underside of the worksurface to route cables. Steel components shall be warrantied to be free from defects in material or workmanship under normal use and conditions for the lifetime of the product. Compact Laminate components shall be warrantied to be free from defects in material or workmanship under normal use and conditions for a period of 10 years, sheet metal components shall be warrantied to be free from defects in material or workmanship under normal use and conditions for the lifetime of the product.. The Forum Angle and Arc Tables shall be manufactured by an ISO 9001 and ISO 14001 registered company.

For specifications on the acoustic felt made from polyethylene terephthalate (PET) please visit <https://www.focalpointlights.com/reference>

**EIA/TIA COMPLIANT**

**ISO 9001 and ISO 14001**

LEGRAND | AV COMMERCIAL BRANDS

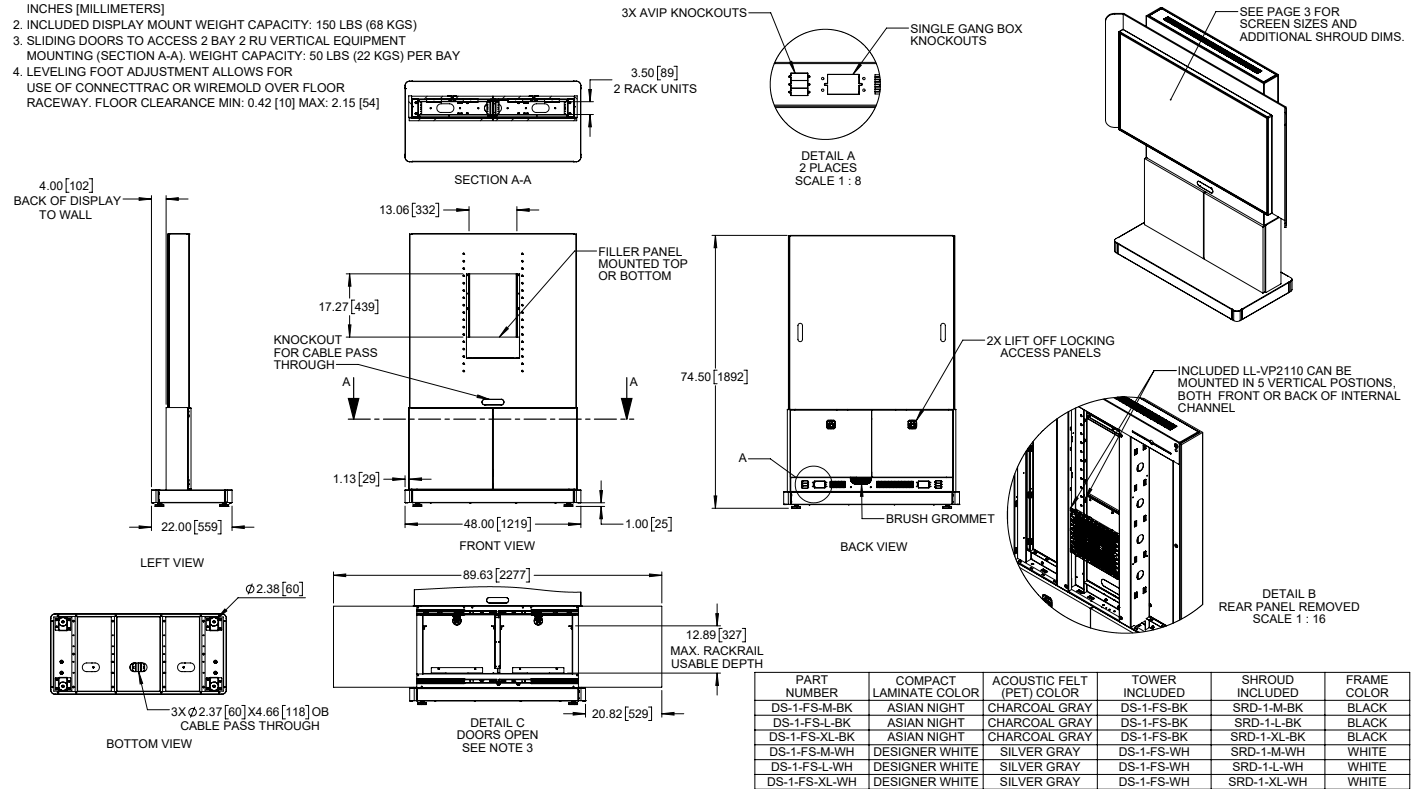
C2G | Chief | Da-Lite | Luxul | Middle Atlantic | Vaddio | Wiremold

# FORUM™ COLLABORATION SUITE

## SPECIFICATIONS

**NOTE(S):**

1. ALL DIMENSIONS SHOWN IN FORMAT:  
INCHES [MILLIMETERS]
2. INCLUDED DISPLAY MOUNT WEIGHT CAPACITY: 150 LBS (68 KGS)
3. SLIDING DOORS TO ACCESS 2 BAY 2 RU VERTICAL EQUIPMENT MOUNTING (SECTION A-A). WEIGHT CAPACITY: 50 LBS (22 KGS) PER BAY
4. LEVELING FOOT ADJUSTMENT ALLOWS FOR USE OF CONNECTRAC OR WIREMOLD OVER FLOOR RACEWAY. FLOOR CLEARANCE MIN: 0.42 [10] MAX: 2.15 [54]



REV	DESCRIPTION	REV BY	REV DATE	APP'D BY	DATE APP
A	PRODUCTION RELEASE	W	08/11	JP	08/24/21

LEGRAND | AV COMMERCIAL BRANDS

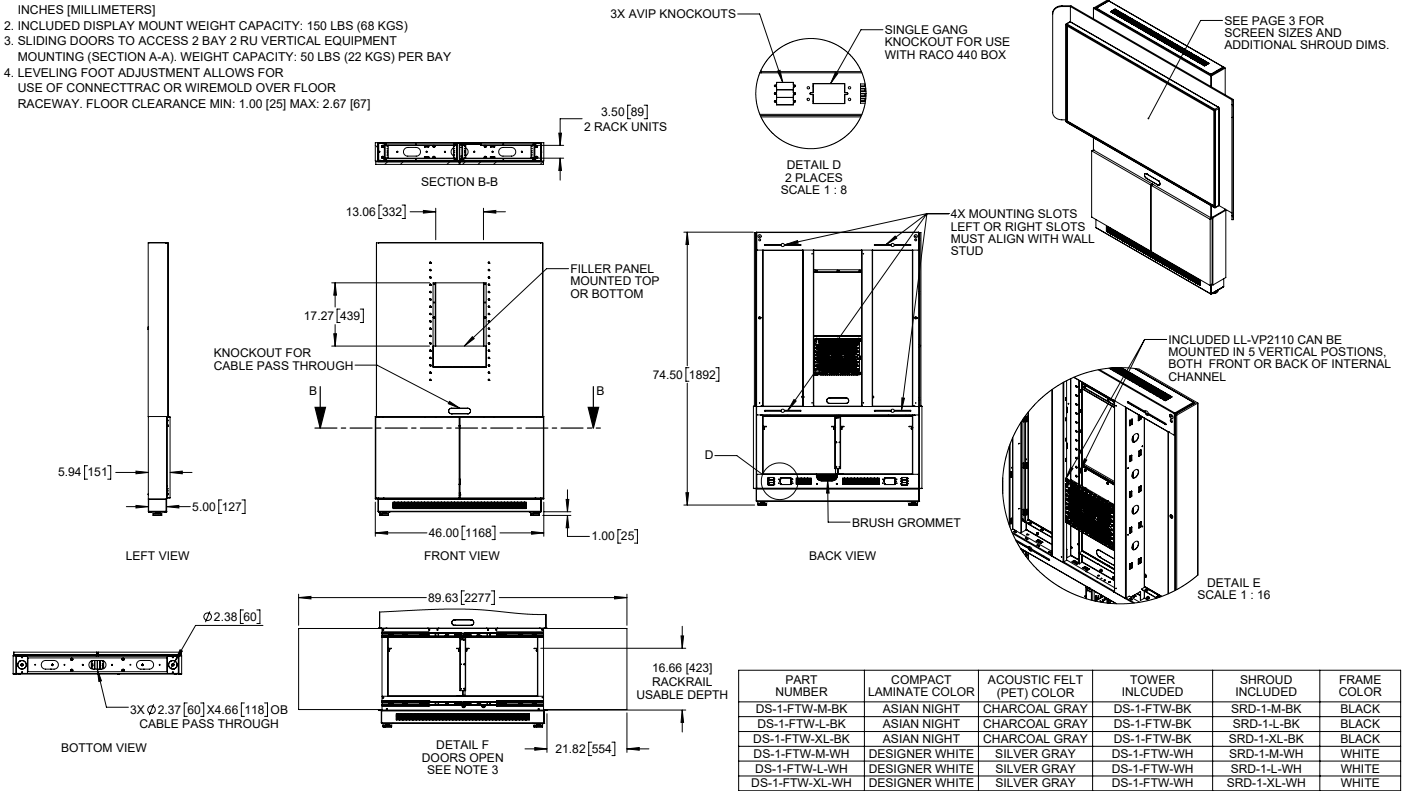
C2G | Chief | Da-Lite | Luxul | Middle Atlantic | Vaddio | Wiremold

# FORUM™ COLLABORATION SUITE

## SPECIFICATIONS

**NOTE(S):**

1. ALL DIMENSIONS SHOWN IN FORMAT:  
INCHES [MILLIMETERS]
2. INCLUDED DISPLAY MOUNT WEIGHT CAPACITY: 150 LBS (68 KGS)
3. SLIDING DOORS TO ACCESS 2 BAY 2 RU VERTICAL EQUIPMENT MOUNTING (SECTION A-A). WEIGHT CAPACITY: 50 LBS (22 KGS) PER BAY
4. LEVELING FOOT ADJUSTMENT ALLOWS FOR USE OF CONNECTRAC OR WIREMOLD OVER FLOOR RACEWAY. FLOOR CLEARANCE MIN: 1.00 [25] MAX: 2.67 [67]



LEGRAND | AV COMMERCIAL BRANDS

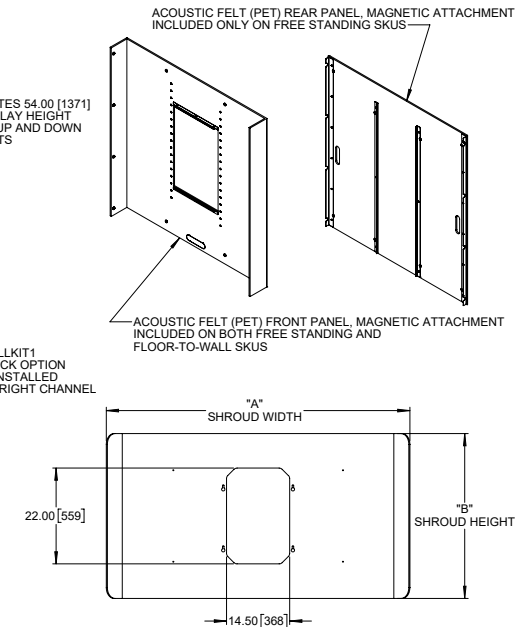
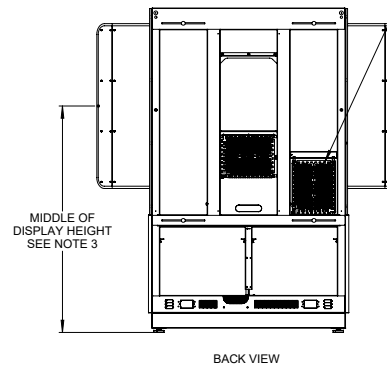
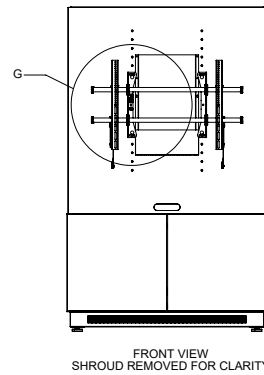
C2G | Chief | Da-Lite | Luxul | Middle Atlantic | Vaddio | Wiremold

# FORUM™ COLLABORATION SUITE

## SPECIFICATIONS

**NOTE(S):**

1. ALL DIMENSIONS SHOWN IN FORMAT:  
INCHES [MILLIMETERS]
2. CHIEF FIXED FUSION DISPLAY MOUNT  
WEIGHT CAPACITY: 150LBS (68 KGS)  
COMPATIBLE VESA MOUNTING PATTERNS: 100mm X 100mm - 870mm X 500mm  
WORKS WITH CHIEF FUSION ACCESSORIES, SEE LEGRANDAV.COM FOR COMPLETE LIST OF SKUS
3. MIDDLE OF DISPLAY HEIGHT(2" INCREMENTS):  
MINIMUM HEIGHT: 44.00 [1117]  
MAXIMUM HEIGHT: 62.00 [1574]
4. DSA-DW-LLKIT1 INCLUDES 1X LL-VP2110



PART NUMBER	"A" SHORUD WIDTH	"B" SHROUD HEIGHT	RECOMMENDED DISPLAY SIZE	COLOR
SRD-1-M-BK	61.01 [1550]	32.96 [837]	42"-55"	CHARCOAL GRAY
SRD-1-L-BK	69.72 [1771]	37.87 [962]	55"-65"	CHARCOAL GRAY
SRD-1-XL-BK	78.44 [1992]	42.77 [1086]	65"-75"	CHARCOAL GRAY
SRD-1-M-WH	61.01 [1550]	32.96 [837]	42"-55"	SILVER GRAY
SRD-1-L-WH	69.72 [1771]	37.87 [962]	55"-65"	SILVER GRAY
SRD-1-XL-WH	78.44 [1992]	42.77 [1086]	65"-75"	SILVER GRAY

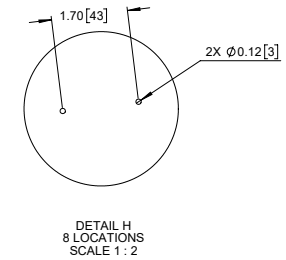
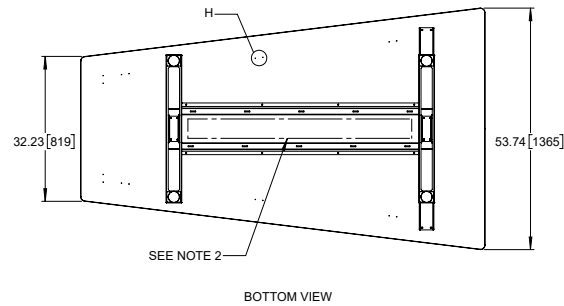
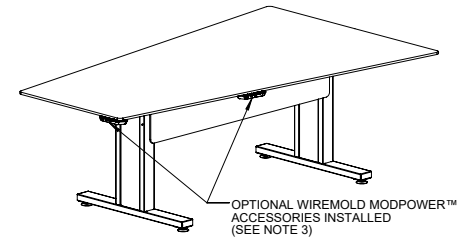
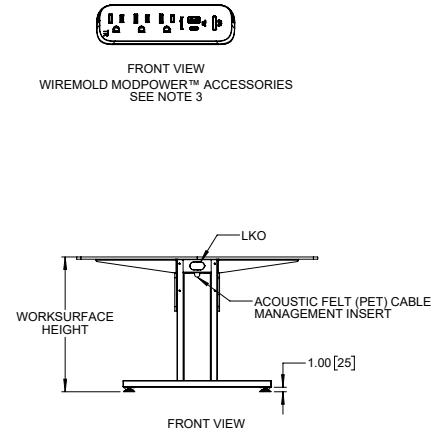
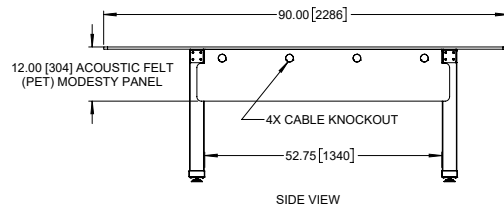
LEGRAND | AV COMMERCIAL BRANDS

C2G | Chief | Da-Lite | Luxul | Middle Atlantic | Vaddio | Wiremold

# FORUM™ COLLABORATION SUITE

## SPECIFICATIONS

- NOTE(S):  
 1. ALL DIMENSIONS SHOWN IN FORMAT:  
 INCHES [MILLIMETERS]  
 2. THIS AREA AVAILABLE FOR CUSTOM TABLEBOX CUTOUT;  
 CONTACT CUSTOMER CARE, TABLETOP NOT FIELD MODIFIABLE  
 3. OPTIONAL WIREMOLD MODPOWER™ ACCESSORIES;  
 START: MDSA10-WH CENTER: MDCA3-WH END: MDEA3-WH  
 SEE DETAIL H FOR PRE-DRILLED MOUNTING PATTERN/LOCATIONS  
 MAXIMUM DISTANCE BETWEEN UNITS: 72.00 [1828]



PART NUMBER	WORKSURFACE HEIGHT	ACROUSTIC FELT (PET) COLOR	FRAME COLOR	RECOMMENDED NUMBER OF SEATS
TBL-ANG-SP-SH-WW	30.00 [762]	SILVER GRAY	WHITE	5
TBL-ANG-SP-CH-WW	38.00 [965]	SILVER GRAY	WHITE	5
TBL-ANG-SP-SH-WB	30.00 [762]	CHARCOAL GRAY	BLACK	5
TBL-ANG-SP-CH-WB	38.00 [965]	CHARCOAL GRAY	BLACK	5

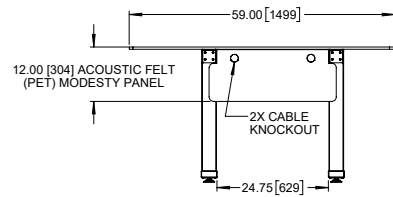
LEGRAND | AV COMMERCIAL BRANDS  
 C2G | Chief | Da-Lite | Luxul | Middle Atlantic | Vaddio | Wiremold

# FORUM™ COLLABORATION SUITE

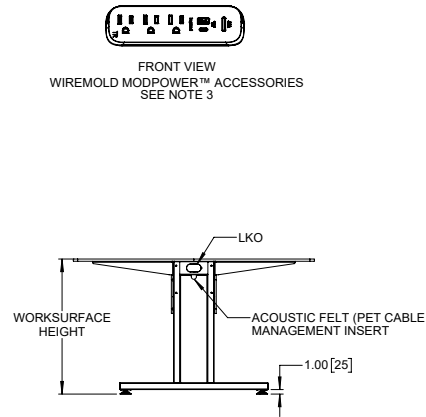
## SPECIFICATIONS

**NOTE(S):**

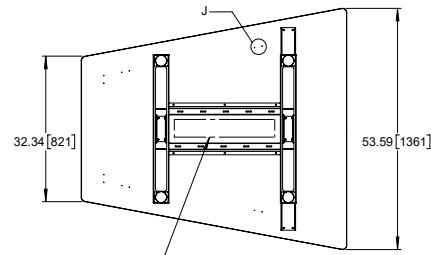
1. ALL DIMENSIONS SHOWN IN FORMAT: INCHES [MILLIMETERS]
2. THIS AREA AVAILABLE FOR CUSTOM TABLEBOX CUTOUT; CONTACT CUSTOMER CARE, TABLETOP NOT FIELD MODIFIABLE
3. OPTIONAL WIREMOLD MODPOWER™ ACCESSORIES; START: MDSA10-WH CENTER: MDCA3-WH END: MDEA3-WH SEE DETAIL J FOR PRE-DRILLED MOUNTING PATTERN/LOCATIONS MAXIMUM DISTANCE BETWEEN UNITS: 72.00 [1828]



SIDE VIEW



FRONT VIEW

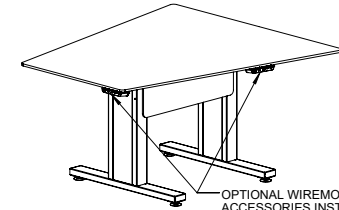


BOTTOM VIEW

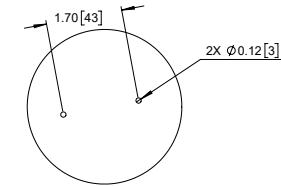
SEE NOTE 2



FRONT VIEW  
WIREMOLD MODPOWER™ ACCESSORIES  
SEE NOTE 3



OPTIONAL WIREMOLD MODPOWER™  
ACCESSORIES INSTALLED  
(SEE NOTE 3)



DETAIL J  
6 LOCATIONS  
SCALE 1 : 2

PART NUMBER	WORKSURFACE HEIGHT	ACOUSTIC FELT (PET) COLOR	FRAME COLOR	RECOMMENDED NUMBER OF SEATS
TBL-ANG-3P-SH-WW	30.00 [762]	SILVER GRAY	WHITE	3
TBL-ANG-3P-CH-WW	38.00 [965]	SILVER GRAY	WHITE	3
TBL-ANG-3P-SH-WB	30.00 [762]	CHARCOAL GRAY	BLACK	3
TBL-ANG-3P-CH-WB	38.00 [965]	CHARCOAL GRAY	BLACK	3

LEGRAND | AV COMMERCIAL BRANDS

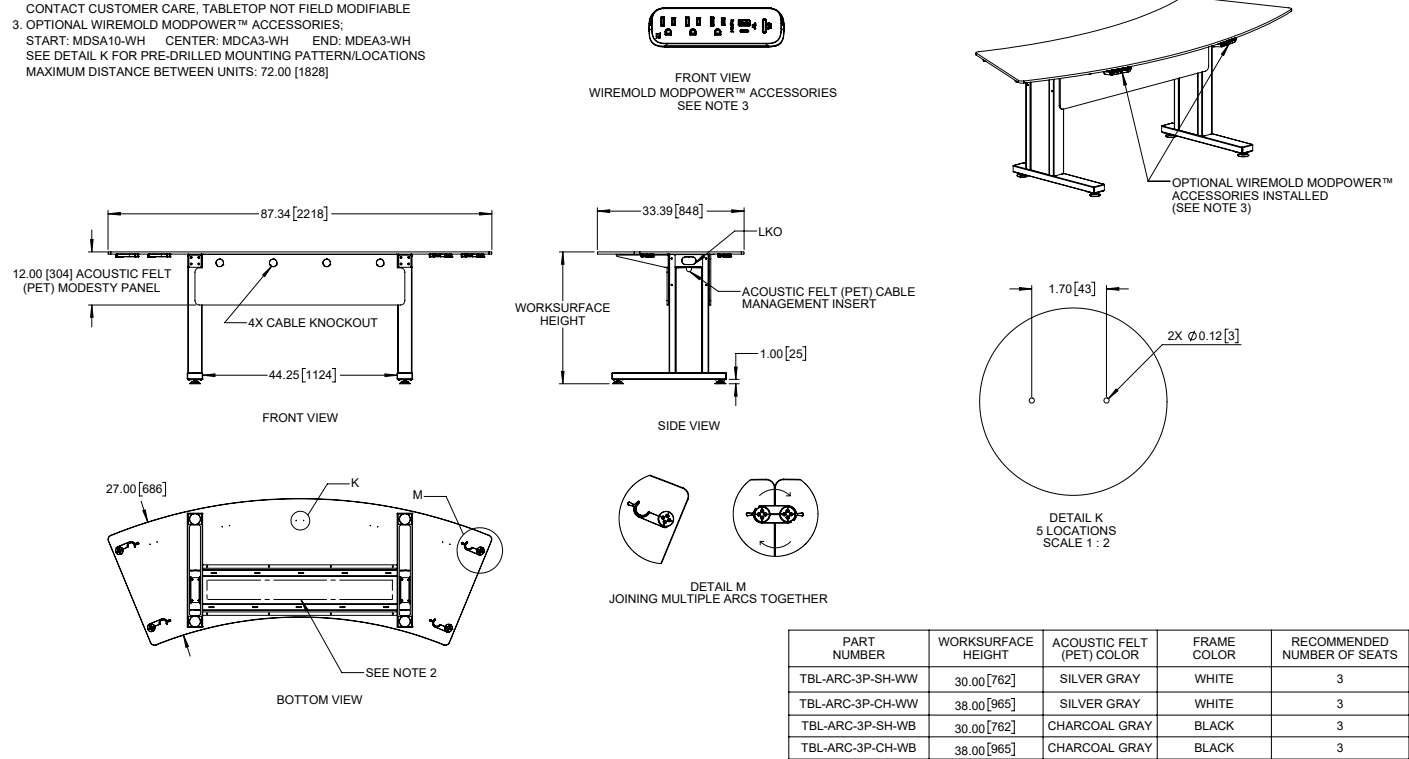
C2G | Chief | Da-Lite | Luxul | Middle Atlantic | Vaddio | Wiremold

# FORUM™ COLLABORATION SUITE

## SPECIFICATIONS

**NOTE(S):**

1. ALL DIMENSIONS SHOWN IN FORMAT:  
INCHES [MILLIMETERS]
2. THIS AREA AVAILABLE FOR CUSTOM TABLEBOX CUTOUT;  
CONTACT CUSTOMER CARE, TABLETOP NOT FIELD MODIFIABLE
3. OPTIONAL WIREMOLD MODPOWER™ ACCESSORIES:  
START: MDSA10-WH CENTER: MDCA3-WH END: MDEA3-WH  
SEE DETAIL K FOR PRE-DRILLED MOUNTING PATTERN/LOCATIONS  
MAXIMUM DISTANCE BETWEEN UNITS: 72.00 [1828]



LEGRAND | AV COMMERCIAL BRANDS

C2G | Chief | Da-Lite | Luxul | Middle Atlantic | Vaddio | Wiremold

WHAT GREAT SYSTEMS ARE BUILT ON™ | [legrandav.com](http://legrandav.com)

USA 800.266.7225 [av.middleatlantic.support@legrand.com](mailto:av.middleatlantic.support@legrand.com) CANADA 888.766.9770 [av.middleatlantic.support@legrand.com](mailto:av.middleatlantic.support@legrand.com)

©2021 Legrand AV Inc. 120-00027 Rev B 9/21 Middle Atlantic is a registered trademark of Legrand AV Inc. All other brand names or marks are used for identification purposes and are trademarks of their respective owners. All patents are protected under existing designations. Other patents pending.