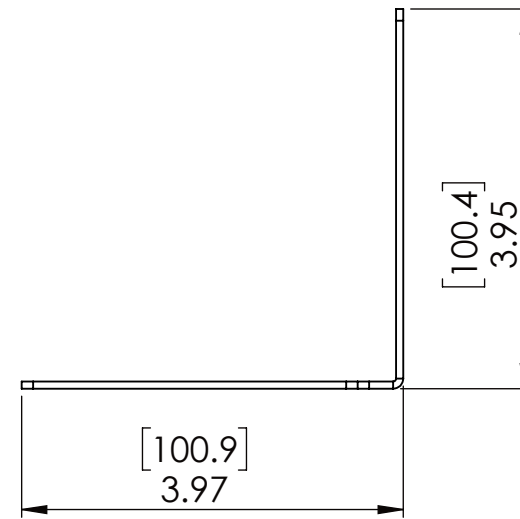
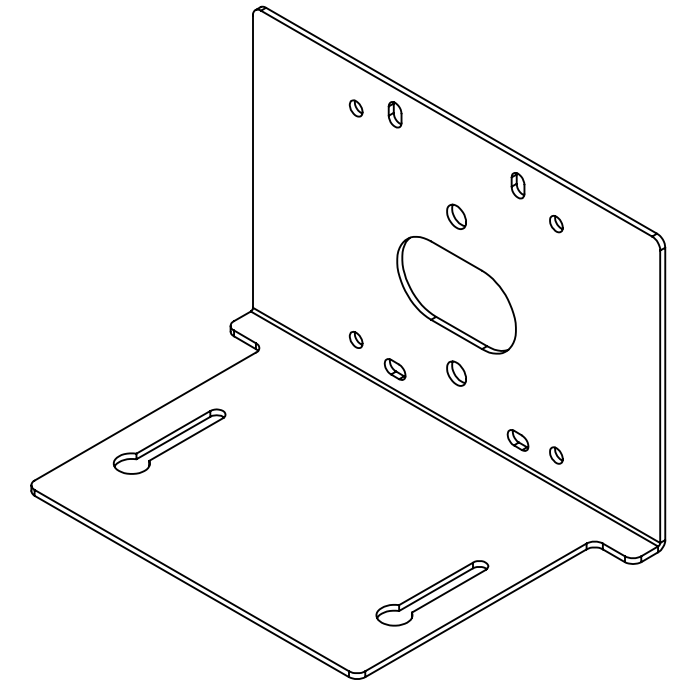


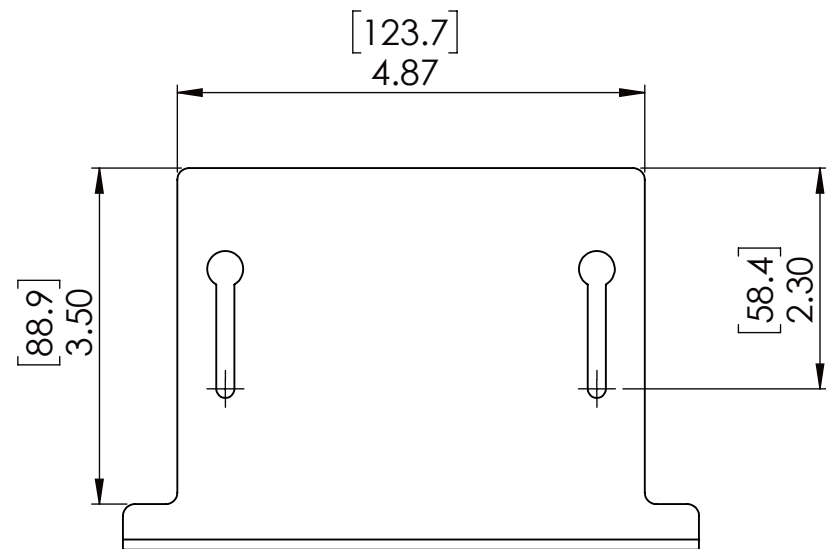
FRONT VIEW




SIDE VIEW



ISO VIEW



BOTTOM VIEW

UNLESS OTHERWISE NOTED: DIMENSIONS ARE IN (mm) / INCHES DIMENSIONAL LIMITS APPLY AFTER FINISH MACHINED SURFACES 125 EDGES & FILLETS R .005/.015 FRACTIONS ± 1/32 ANGLES ± 1° DEC. .XX = ± .015 .XXX = ± .005 .XXXX = ± .0002		THIS DRAWING, INCLUDING ALL SUBJECT MATTERS INDICATED THEREON OR DERIVED THEREFROM, COMPRISES PROPRIETARY INFORMATION AND IS THE EXPRESS PROPERTY OF VADDIO LLC. EMPLOYMENT, REPRODUCTION OF OR DISSEMINATION OF THIS DRAWING, IN WHOLE OR IN PART, WITHOUT WRITTEN PERMISSION OF VADDIO LLC IS STRICTLY FORBIDDEN.	
		DRAWN CMM	CHECKED
		APPROVED	DATE 7/15/19
MATERIAL 14 GA (.074 THK) STEEL		SCALE B	
FINISH PAINTED		SCALE 1:2	
TITLE BRACKET, HUDDLESHOT MOUNT	SHEET 1 OF 1	DRAWING NO. 342-1540	REV. A