

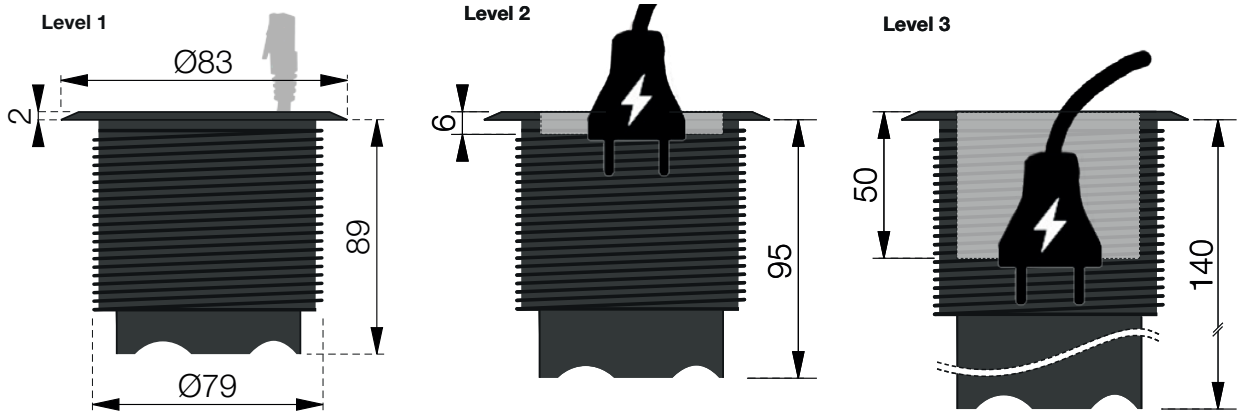


□ 935-PD13W

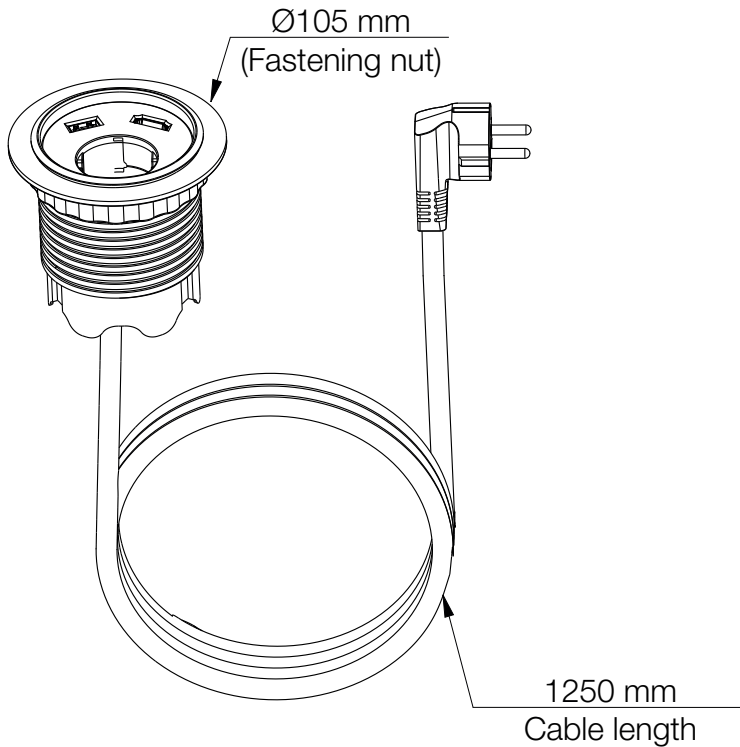
■ 935-PD13

Powerdot 1 Power, 1 HDMI, 1 USB port

Front view (Grommet)



Oriented view (Grommet, nut & cable)



Maximum table thickness:
Recommended hole cut:

55 mm
Ø79 mm