

AudioCodes Kramer KAC-SCD-10 Meeting Room Scheduler

Quick Guide

1. Product Introduction

Thank you for purchasing AudioCodes Kramer **KAC-SCD-10 Meeting Room Scheduler!**

The AudioCodes Kramer KAC-SCD-10 Meeting Room Scheduler is a purpose-built Microsoft Teams Panel with an intuitive touchscreen display.

Neatly installed right at the entrance to the meeting room, the KAC-SCD-10's brightly colored status LED enables you to quickly see the meeting room's availability from a distance. You can also view the meeting details on its sleek and clear LCD screen and reserve a meeting room on the spot.

For more information on the KAC-SCD-10, click [here](#).



2. Shipped Items

Make sure you received the following items in the shipped box:

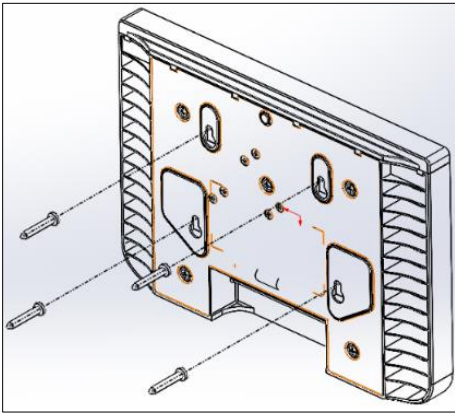
- ✓ KAC-SCD-10
- ✓ Ethernet cable – approximately 9 feet (~3m)
- ✓ 1 screw placement template (for wall mount)
- ✓ 4 screws and 4 wall anchors
- ✓ Mounting bracket and adhesive tape (for glass partition mount)
- ✓ 12V Power Adapter (AC 100-240V)

3. Mounting the KAC-SCD-10

Position the KAC-SCD-10 at the entrance to a conference room. The KAC-SCD-10 can be mounted on wall using screws, or it can be mounted on partition glass using a mounting bracket and adhesive tape.

Mounting KAC-SCD-10 to Wall

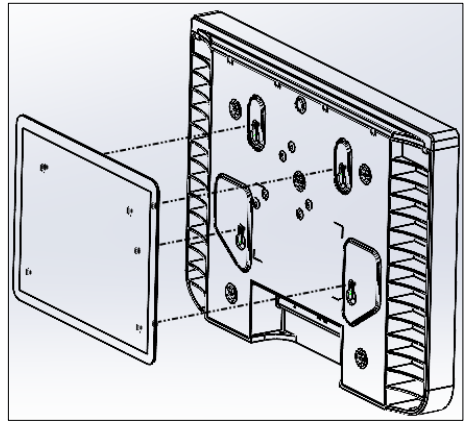
Use the supplied template to mark locations for the 4 wall anchors. Insert the 4 screws into the anchors and mount the KAC-SCD-10.



Mounting KAC-SCD-10 to Glass

Make sure the surface is clean and dry.

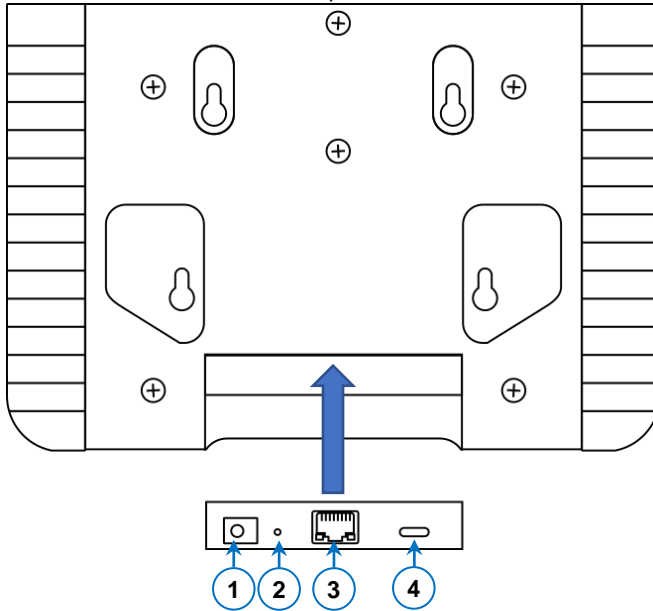
Remove the bracket's adhesive strip liner, press the bracket firmly on the glass and hang KAC-SCD-10 on it.



The device is suitable for mounting at a height no more than 6½ feet (~2m).

4. Cabling the KAC-SCD-10

The figure below shows the KAC-SCD-10's connector ports.



Port	Description
1	DC jack for 12V power adapter.
2	Reset (insert pin, unplug PoE, keep pin inserted, plug in PoE, keep pressing for 10 seconds).
3	Ethernet LAN/PoE GbE, RJ-45.
4	USB Type C connector (for maintenance purposes) (see the <i>User's & Administrator's Manual</i>).

5. Powering up

The KAC-SCD-10 can be powered by connecting the KAC-SCD-10 to the power adapter or connecting KAC-SCD-10 LAN/PoE to any PoE Ethernet switch.

6. Managing KAC-SCD-10

KAC-SCD-10 is managed by AudioCodes Kramers One Voice Operations Center | Device Manager. It can also be managed by Microsoft Teams Admin Center (TAC). Management includes (but not limited to):

- ✓ Firmware management / upgrade
- ✓ Alarm management
- ✓ APK upgrade

7. Using the KAC-SCD-10

Use the table below as reference to the following figure:

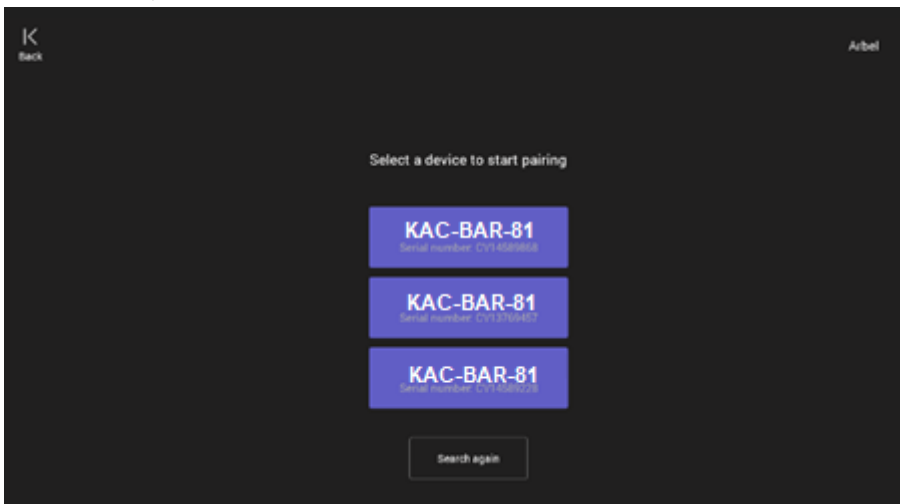


Item	Description
1	Space availability status LED, viewable from a distance: <ul style="list-style-type: none"> ■ Green indicates meeting space is available; optionally, reserve it right now. ■ Red or purple indicates meeting space unavailable. ■ Flashing red indicates a system status alert indicating, for example, recovery mode. ■ Flashing green and blue indicates restore to defaults.
2	Meeting details (meeting time, date, and organizer).
3	Meeting space availability status.
4	Press ('Back' button) to return to the previously accessed screen.
5	All meeting spaces and availability statuses.
6	Touch to reserve an available meeting space for an ad hoc meeting.
7	Touch to return to the home screen from any screen.

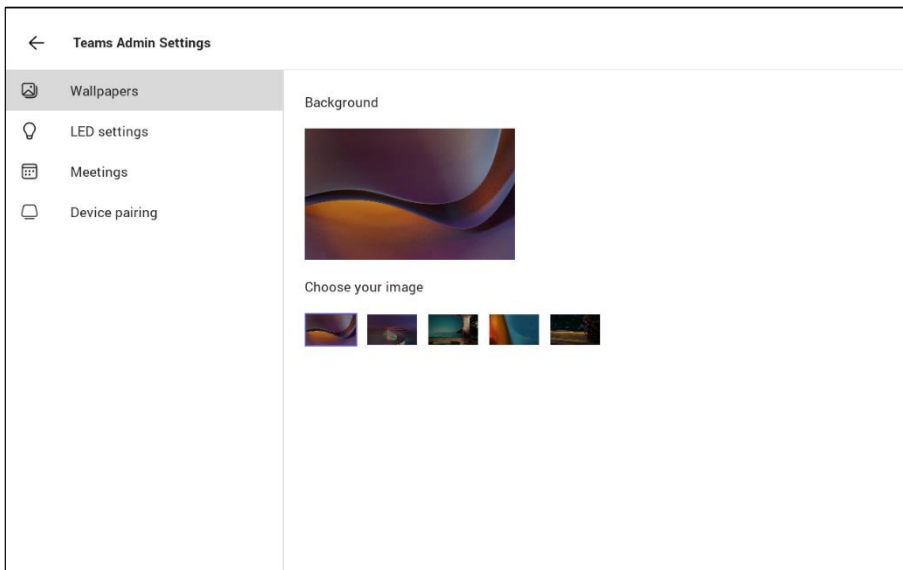
Note: The Admin can change the background wallpaper, color of status indicator, text contrast, etc.

To enable advanced meeting functions:

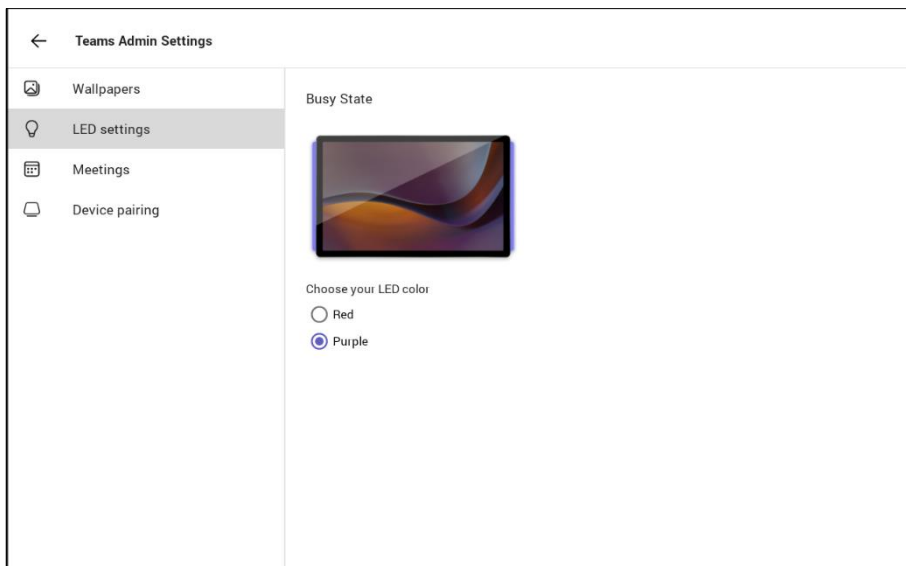
1. Click the **Device Pairing** option in 'Teams Admin Settings' menu, and then select your device (to pair it at the Teams level):



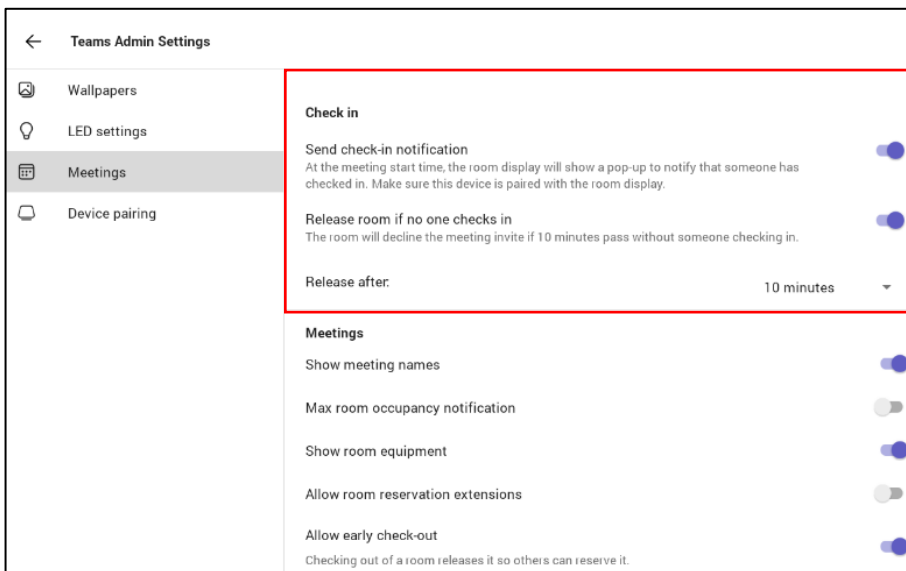
2. Select the **Wallpapers** option to choose a wallpaper.



3. Select the **LED settings** option to choose the LED color for indicating a busy state.



4. Select the **Meetings** option to define advanced meeting check-in functions.



8. Specifications

For KAC-SCD-10 technical specifications, refer to the [KAC-SCD-10 Datasheet](#).



FCC Caution

Any Changes or modifications not expressly approved by the party responsible for compliance could void the user's authority to operate the equipment. This device complies with part 15 of the FCC Rules. Operation is subject to the following two conditions: (1) This device may not cause harmful interference, and (2) this device must accept any interference received, including interference that may cause undesired operation.



FCC Radiation Exposure Statement

This equipment complies with FCC radiation exposure limits set forth for an uncontrolled environment. This equipment should be installed and operated with minimum distance 20cm between the radiator& your body. This transmitter and its antenna must not be co-located or operating in conjunction with any other antenna or transmitter.

Note: This equipment has been tested and found to comply with the limits for a Class B digital device, pursuant to part 15 of the FCC Rules. These limits are designed to provide reasonable protection against harmful interference in a residential installation. This equipment generates, uses and can radiate radio frequency energy and, if not installed and used in accordance with the instructions, may cause harmful interference to radio communications. However, there is no guarantee that interference will not occur in a particular installation. If this equipment does cause harmful interference to radio or television reception, which can be determined by turning the equipment off and on, the user is encouraged to try to correct the interference by one or more of the following measures:

- Reorient or relocate the receiving antenna.
- Increase the separation between the equipment and receiver.
- Connect the equipment into an outlet on a circuit different from that to which the receiver is connected.
- Consult the dealer or an experienced radio/TV technician for help.



FCC Warning

Prior to operating this device, refer to the device's [Regulatory Information and FCC warnings](#).

International Headquarters

2 Negev Street,
Airport City
Lod 7019900, Israel
Tel: +972 073 2650200
Mail: Info@kramerav.com

Contact us: <https://www.kramerav.com/contact-us/>

Website: <https://www.kramerav.com/>

©2023 AudioCodes Ltd. All rights reserved. AudioCodes, AC, HD VoIP, HD VoIP Sounds Better, IPmedia, Mediant, MediaPack, What's Inside Matters, OSN, SmartTAP, User Management Pack, VMAS, VoIPerfect, VoIPerfectHD, Your Gateway To VoIP, 3GX, VocaNom, AudioCodes One Voice, AudioCodes Meeting Insights and AudioCodes Room Experience are trademarks or registered trademarks of AudioCodes Limited. All other products or trademarks are property of their respective owners. Product specifications are subject to change without notice.

Notice Information

Information contained in this document is believed to be accurate and reliable at the time of printing. However, due to ongoing product improvements and revisions, AudioCodes Kramer cannot guarantee accuracy of printed material after the Date Published nor can it accept responsibility for errors or omissions.

Updates to this document can be downloaded from <https://www.kramerav.com/>

This document is subject to change without notice.

Date Published: January-25-2024

