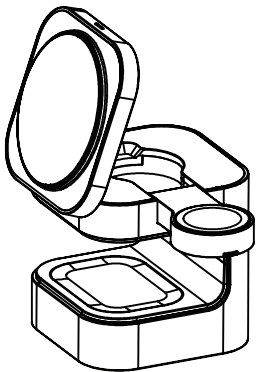




**HYPERJUICE®**

# **Qi2 3-in-1 Magnetic Charging Stand**



## **USER GUIDE**

# Table of Contents

|                                 |           |
|---------------------------------|-----------|
| <b>Copyright</b>                | <b>1</b>  |
| <b>Trademarks</b>               | <b>1</b>  |
| <b>Regulatory Compliance</b>    | <b>2</b>  |
| FCC Conditions                  | 2         |
| CE                              | 2         |
| WEEE Information                | 3         |
| <b>Introduction</b>             | <b>4</b>  |
| <b>Package Contents</b>         | <b>4</b>  |
| <b>Product Compatibility</b>    | <b>4</b>  |
| <b>Product Overview</b>         | <b>5</b>  |
| <b>Operational Instructions</b> | <b>6</b>  |
| <b>Specifications</b>           | <b>7</b>  |
| <b>Warranty</b>                 | <b>8</b>  |
| <b>Safety Instructions</b>      | <b>10</b> |
| <b>Technical Support</b>        | <b>11</b> |

Before attempting to connect, operate or adjust this product, please save and read the User Guide completely. The style of the product shown in this User Guide may be different from the actual unit due to various models.

## Copyright

This document contains proprietary information protected by copyright. All rights are reserved. No part of this guide may be reproduced by any mechanical, electronic or other means, in any form, without prior written permission of the manufacturer.

## Trademarks

Hyper, the ++Hyper logo, and HyperJuice, are trademarks or registered trademarks of Targus International LLC in the U.S. and in certain other countries. iPhone and Apple Watch is a trademark of Apple Inc., registered in the U.S. and other countries. All other logos and registered trademarks are the property of their respective owners.

# Regulatory Compliance

## FCC Conditions

This device complies with part 15 of the FCC Rules. Operation is subject to the following two conditions:

- (1) This device may not cause harmful interference, and
- (2) this device must accept any interference received, including interference that may cause undesired operation.

Note: This equipment has been tested and found to comply with the limits for a Class B digital device, pursuant to part 15 of the FCC Rules. These limits are designed to provide reasonable protection against harmful interference in a residential installation. This equipment generates, uses and can radiate radio frequency energy and, if not installed and used in accordance with the instructions, may cause harmful interference to radio communications. However, there is no guarantee that interference will not occur in a particular installation. If this equipment does cause harmful interference to radio or television reception, which can be determined by turning the equipment off and on, the user is encouraged to try to correct the interference by one or more of the following measures:

- Reorient or relocate the receiving antenna.
- Increase the separation between the equipment and receiver.
- Connect the equipment into an outlet on a circuit different from that to which the receiver is connected.
- Consult the dealer or an experienced radio/TV technician for help.

Caution: Changes or modifications not expressly approved by the party responsible for compliance could void the user's authority to operate the equipment.

This equipment complies with FCC radiation exposure limits set forth for an uncontrolled environment.

## CE

### The frequency bands and maximum transmitting power for each coil

Wireless charger for output 1:

360kHz at 15W output, 110.5kHz-205kHz below 15W output;

Wireless charger for output 2: 326.5kHz and 1.778MHz

Wireless charger for output 3: 110.5kHz – 205kHz;

Wireless charger for output 1:

110.5kHz-205kHz, H-field: -9.9dBuA/m@10m

360kHz, H-field: -36.54dBuA/m@10m

Wireless charger for output 2:

326.5kHz, H-field: -30.37dBuA/m@10m

1.778MHz, H-field: -31.29dBuA/m@10m

Wireless charger for output 3:

110.5kHz – 205kHz, H-field: -9.6dBuA/m@10m

User should maintain a minimum distance of 20cm from the device when using it.

## IC

This device complies with Industry Canada license-exempt RSS standard(s). Operation is subject to the following two conditions: (1) this device may not cause interference, and (2) this device must accept any interference, including interference that may cause undesired operation of the device.

Le présent appareil est conforme aux CNR d'Industrie Canada applicables aux appareils radio exempts de licence. L'exploitation est autorisée aux deux conditions suivantes : (1) l'appareil ne doit pas produire de brouillage, et (2) l'utilisateur de l'appareil doit accepter tout brouillage radioélectrique subi, même si le brouillage est susceptible d'en compromettre le fonctionnement.

This equipment complies with IC radiation exposure limits set forth for an uncontrolled environment.

Cet équipement est conforme aux limites d'exposition aux rayonnements IC établies pour un environnement non contrôlé.

This Class B digital apparatus complies with Canadian ICES-003.

Cet appareil numérique de la classe B est conforme à la norme NMB-003 du Canada.

CAN ICES (B) / NMB (B)

## WEEE Information

For EU (European Union) member users: According to the WEEE (Waste electrical and electronic equipment) Directive, do not dispose of this product as household waste or commercial waste. Waste electrical and electronic equipment should be appropriately collected and recycled as required by practices established for your country. For information on recycling of this product, waste disposal service or the shop where you purchased the product.

## Made for :

Apple Watch Ultra 2

Apple Watch Ultra

Apple Watch Series 9

Apple Watch Series 8

Apple Watch Series 7

Apple Watch Series 6

Apple Watch Series 5

Apple Watch Series 4

Apple Watch Series 3

Apple Watch Series 2

Apple Watch Series 1

Apple Watch SE

Apple Watch (1st generation)

**Supports fast charging for Apple Watch Ultra, Apple Watch Series 8, and Apple Watch Series 7. Supports standard charging speeds for Apple Watch Series 6 and earlier.**



# Introduction

The HyperJuice Qi2 3-in-1 Magnetic Charging Stand features the latest Qi2 technology, ensuring that you can wirelessly fast charge your iPhone (up to 15W with Qi2), your Apple Watch and your AirPods simultaneously.

The sleek, modern design not only enhances your space but also makes it incredibly portable, allowing you to take it wherever you go. With its strong magnetic alignment, you can effortlessly secure your devices in place, ensuring they charge efficiently and safely.

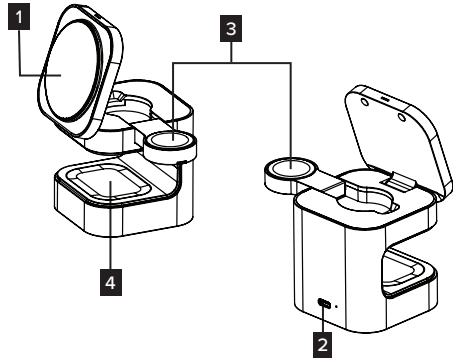
## Package Contents

- Qi2 3-in-1 Magnetic Charging Stand
- USB-C 3ft/1m Charging Cable
- User Guide

## Product Compatibility

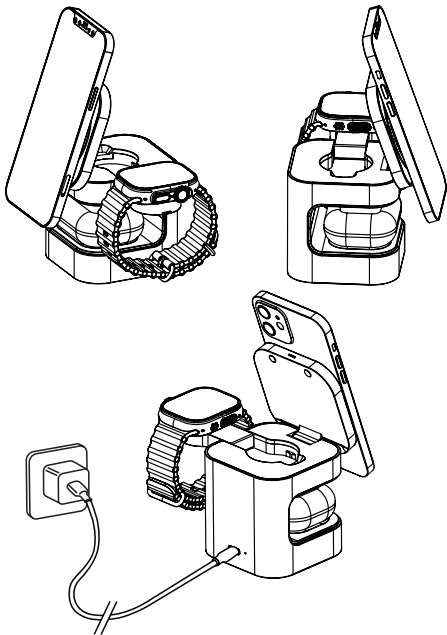
- iPhone® 12 and Later
- Apple Watch®
- Apple AirPods

# Product Overview



| Item  | Description  |
|---|--|
| 1. 15W Charging Module for Qi2 Compatible Devices | Charge Qi2 Compatible Devices                            |
| 2. USB-C Port Input                               | Connect to USB-C power adapter (Support PD27W and above) |
| 3. 5W Apple Watch Charging Module                 | Charge Apple Watch                                       |
| 4. 5W AirPods charger                             | Charge AirPods   |

# Operation Instructions



\* Plug the included USB-C charging cable into a USB-C power adaptor (Adaptor is Not Included).

A 27W and above power adaptor with QC or PD power support is recommended



# Specifications

|                                |  |                    |
|--------------------------------|--|--------------------|
| Manufacturer                   | HUIZHOU DNS TECHNOLOGY CO., LTD  |                    |
| Address                        | 5 Dongshun South Road, Dongjiang Hi-tech Industrial Park, Zhongkai Hi-tech Zone, Huizhou City, Guangdong, China. |                    |
| Commercial Registration Number | 91441300077897004X   |                    |
| Model / Reg                    | HJ3320   |                    |
| Interface: Input               | Input:<br>USB-C Port Input: 5V/9V@3A (27W)   |                    |
| Interface: Output              | Output 1: (iPhone)<br>Qi2 15W<br>Output 2: (Apple Watch)<br>5W<br>Output3: (AirPods)<br>5W                       |                    |
| Dimension & Weight             | Length:  | 70MM / 2.76inches  |
|                                | Width:   | 70MM / 2.76inches  |
|                                | Height:  | 78.8MM / 3.1inches |
|                                | Weight:  | 280g / 0.62lb      |

**2 YEAR LIMITED WARRANTY  
PORTUGAL AND SPAIN CUSTOMERS:  
3 YEARS LIMITED WARRANTY  
OR AS REQUIRED BY LOCAL LAWS.**

We pride ourselves on the quality of our products. For complete warranty details and a list of our Worldwide offices, please visit [www.HyperShop.com](http://www.HyperShop.com). Hyper product warranty does not cover any device or product that is not manufactured by Hyper (including, but not limited to, laptops, smartphones, devices, or any other product that may be used in connection with the Hyper product). Hyper Limited Warranty provided is subject to any rights and remedies the purchaser may have under local laws. Australian customers: For complete warranty details, see warranty statement enclosed.

**GARANTIE LIMITÉE DE 2 ANS  
CLIENTS DU PORTUGAL ET DE L'ESPAGNE :  
GARANTIE LIMITÉE DE 3 ANS  
OU SELON LES LOIS LOCALES.**

Nous sommes fiers de la qualité de nos produits. Pour obtenir les détails complets de la garantie et la liste de nos bureaux dans le monde, veuillez consulter le site [www.HyperShop.com](http://www.HyperShop.com). La garantie des produits Hyper ne couvre aucun appareil ou produit qui n'est pas fabriqué par Hyper (y compris, mais sans s'y limiter, les ordinateurs portables, les smartphones, les appareils ou tout autre produit pouvant être utilisé en relation avec le produit Hyper). La garantie limitée Hyper fournie est soumise à tous les droits et recours dont l'acheteur peut disposer en vertu des lois locales. Clients australiens : Pour les détails complets de la garantie, voir la déclaration de garantie jointe.

**2 AÑOS DE GARANTÍA LIMITADA  
CLIENTES DE PORTUGAL Y ESPAÑA:  
3 AÑOS DE GARANTÍA LIMITADA  
O LA ESTIPULADA POR LA LEGISLACIÓN LOCAL.**

Estamos orgullosos de la calidad de nuestros productos. Para obtener información acerca de la garantía completa y consultar nuestra lista de oficinas en todo el mundo, visite [www.HyperShop.com](http://www.HyperShop.com). La garantía del producto de Hyper no cubre ningún dispositivo o producto que no haya sido fabricado por Hyper (incluyendo, entre otros, ordenadores portátiles, smartphones, dispositivos o cualquier otro producto que pueda utilizarse con el producto de Hyper). La Garantía Limitada

de Hyper proporcionada está sujeta a cualquier derecho y recurso que el comprador pueda tener según la legislación local. Clientes australianos: Para obtener información acerca de la garantía completa, consulte la declaración de garantía adjunta.

## **AUSTRALIAN AND NEW ZEALAND CONSUMERS ONLY**

Thank you for your purchase. Hyper warrants to the original purchaser that its products are free from defects in materials and workmanship and, during the specified warranty period, and lasts as long as the original purchaser owns the product. The warranty period is stated on the packaging or in the documentation provided with this Hyper product. Hyper's Limited Product Warranty excludes damage caused by accident, neglect, abuse, misuse, improper care, normal wear and tear, ownership transfer, or alteration. The limited warranty also excludes any product that is not manufactured by Hyper (including, without limitation, laptops, smartphones, devices, tablets, or any other non-Hyper item) that is used in connection with the Hyper product. In the event that the Hyper product has a defect in materials or workmanship Hyper will, after receiving a warranty claim and inspecting the product, at its discretion, do one of the following: repair, replace, or refund with the same or a similar product (or part) of no lesser quality and ship it to the original purchaser at Hyper's expense. As part of this inspection, proof of purchase will be required. There is no charge for inspection. To make a warranty claim, please contact Hyper Australia or New Zealand (see details below), or return the product to the place of purchase. The original purchaser must bear the cost of the delivery to Hyper. Under Australian and/or New Zealand Consumer Laws, in addition to any warranty Hyper gives, our products come with guarantees that cannot be excluded. You are entitled to a replacement or refund for a major failure and compensation for any other reasonably foreseeable loss or damage. You are entitled to have the products repaired or replaced if they fail to be of acceptable quality and the failure does not amount to a major failure.

For any warranty question, contact Targus Australia Pty. Ltd. (i) by mail at Suite 2, Level 8, 5 Rider Boulevard, Rhodes NSW 2138, by phone AUS 1800 641 645 or NZ 0800 633 222 or by Email: [infoaust@targus.com](mailto:infoaust@targus.com). For additional information, check out our website at [targus.com/au/warranty](http://targus.com/au/warranty).

# Safety Instructions

- Do not expose to moisture or submerge in liquid.
- Store in a cool, dry place. Recommended storage temperature: 0°C/32°F to 60°C/140°F; Operating temperature: 0°C/32°F to 35°C/95°F.
- Do not disassemble or attempt to re-purpose or modify the product in any manner.
- Stop using and contact manufacturer if the product is excessively hot, emitting odor, deformed or if you witness any other abnormalities.
- Avoid strenuous vibration, impact, extrusion on transportation, and keep the product away from intense sunlight and rain.
- Please dispose of discarded products properly according to local regulations.
- Do not clean with harmful chemicals or detergents.
- Keep away from children for safety.
- Be cautious of drops, bumps, abrasions, or impact.

# TECHNICAL SUPPORT

**For technical questions, please visit:**

Hyper Customer Support Email: [support@hypershop.com](mailto:support@hypershop.com)

Hyper Customer Support Phone:

1-888-202-1888 (USA); +1-408-737-7878 (non-USA)

US Internet: <http://targus.com/us/support>

Canada Internet: <http://www.targus.com/ca/support>

Australia Internet: <http://www.targus.com/au/support>

Email: [infoaust@targus.com](mailto:infoaust@targus.com)

Telephone: 1-800-641-645

New Zealand Telephone: 0800-633-222

Latin America Email: [latam.soporte@targus.com](mailto:latam.soporte@targus.com)



## Declaration of Conformity

Manufacturer: HUIZHOU DNS TECHNOLOGY CO., LTD. Tel: +86-752-5801989  
Address: 5 Dongshun South Road, Dongjiang Hi-tech Industrial Park,  
Zhongkai Hi-tech Zone, Huizhou City, Guangdong, China  
Importer: Targus Europe Ltd. Tel: +44 (0)20 8831 2000  
Address: Targus EMEA Account Management,  
Van Hilststraat 19, 5145 RK  
Waalwijk, Netherlands

We herewith confirm the following designated product 3-in-1 Wireless Charger, Model No. HJ3320, Brand name "HYPER", complies with the RED 2014/53/EU, EU RoHS Directive 2011/65/EU and its amendment Directive (EU) 2015/863.

For the evaluation regarding the above Directives, the following standards were applied:

Radio Equipment Directive 2014/53/EU:

|                                   |  |
|-----------------------------------|--|
| Health and Safety (Article 3.1a): | EN IEC 62311: 2020<br>EN 62368-1:2014+A11:2017   |
| EMC (Article 3.1b):               | EN IEC 61000-3-2: 2019+A1: 2021<br>EN 61000-3-3: 2013+A2: 2021<br>ETSI EN 301 489-1 V2.2.3 (2019-11)<br>ETSI EN 301 489-3 V2.3.2 (2023-01) |
| Radio Spectrum (Article 3.2):     | ETSI EN 303 417 V1.1.1 (2017-09)<br>ETSI EN 300 330 V2.1.1 (2017-02)   |

EU RoHS Directive: 2011/65/EU and its amendment Directive (EU) 2015/863.

EN IEC 63000:2018

EU

The conformity assessment procedure as referenced in Article 17 and detailed in Annex III of the Radio Equipment Directive has been followed with the involvement of a notified body:

Notified Body: Intertek Semko AB

Notified Body: 0413

Certificate No.: SE-RED-2400976 Ed.1

This declaration of conformity is issued under the sole responsibility of the manufacturer.

Year to begin CE marking: 2024

Head of Product - DNS

Function Title

9/30/2024 China

Date Place of Issue

Head of Product - Hyper

Function Title

9/30/2024 Fremont CA USA

Date Place of Issue

Jerocan Song

Name

*jerocan*

Signed for and on behalf of DNS

Barry Miller

Name

*Barry Miller*

Signed for and on behalf of Hyper



## Declaration of Conformity

Manufacturer: HUIZHOU DNS TECHNOLOGY CO., LTD. Tel: +86-752-5801989

Address: 5 Dongshun South Road, Dongjiang Hi-tech Industrial Park,  
Zhongkai Hi-tech Zone, Huizhou City, Guangdong, China

Importer: Targus Europe Ltd. Tel: +44 (0)20 8831 2000

Address: Fourth Floor One London Road  
Staines, TW18 4EX, UK

We herewith confirm the following designated product 3-in-1 Wireless Charger, Model No. HJ3320, Brand name "HYPER", complies with below UK legislation and relevant standards.

For the evaluation regarding the above Directives, the following standards were applied: Radio Equipment Regulations 2017

|                                   |  |
|-----------------------------------|--|
| Health and Safety (Article 3.1a): | EN IEC 62311: 2020<br>EN 62368-1:2014+A11:2017   |
| EMC (Article 3.1b):               | EN IEC 61000-3-2: 2019+A1: 2021<br>EN 61000-3-3: 2013+A2: 2021<br>ETSI EN 301 489-1 V2.2.3 (2019-11)<br>ETSI EN 301 489-3 V2.3.2 (2023-01) |
| Radio Spectrum (Article 3.2):     | ETSI EN 303 417 V1.1.1 (2017-09)<br>ETSI EN 300 330 V2.1.1 (2017-02)   |

The Restriction of the Use of Certain Hazardous Substances in Electrical and Electronic Equipment Regulations 2012

EN IEC 63000:2018

UKCA

The conformity assessment procedure under the provisions of Regulation 41 and Schedule 3 of the Radio Equipment Regulations 2017(SI 2017/1206) has been followed with the involvement of the following Approved Body.

Approved Body: TUV Rheinland UK Ltd.

Body No.: 2517

Certificate No.: A9 50645500 0001

This declaration of conformity is issued under the sole responsibility of the manufacturer.

|                          |                                   |
|--------------------------|-----------------------------------|
| Head of Product - DNS    | Jerocan Song                      |
| Function Title           | Name                              |
| 9/30/2024 China          | <i>Jerocan</i>                    |
| Date Place of Issue      | Signed for and on behalf of DNS   |
| Head of Product - Hyper  | Barry Miller                      |
| Function Title           | Name                              |
| 9/30/2024 Fremont CA USA | <i>Barry Miller</i>               |
| Date Place of Issue      | Signed for and on behalf of Hyper |

© 2024 HYPER PRODUCTS INC  
All rights reserved.