

AVIGILON™

Embedded USB Smart Reader

Expandable access control for the modern workplace



The Avigilon Embedded USB Smart Reader can be used as a compact-sized reader for entry access or connected to a workstation for use as a desktop enrollment reader. As an entry reader, it can be installed in a single gang box, embedded into a wall, or placed inside turnstiles or elevator panels. The optional desktop stand provides easy access for card scanning when used as an enrollment reader. This multi-technology reader supports mobile credentials, and low (125 kHz) and high (13.56 MHz) frequency RFID credentials.



Small size, many uses

Snap-off brackets support multiple mounting applications, and the small size fits in turnstiles, elevators, kiosks and other embedded uses. USB port supports desktop enrollment reader applications.



Fast, reliable mobile access

Patented Triple Unlock with Bluetooth, WiFi and cellular data ensures reliable unlocks, with mobile credential options like Wave to Unlock, and mobile or watch app. Readers also support physical cards and fobs.



Easy monitoring and management

Cloud management provides secure, remote access and eliminates the need to set up or maintain local servers. Get real-time visibility and insights to access events from anywhere.



Enhanced security

Readers store no data, and encrypted end-to-end communication and strong public-key cryptography keep everything protected.



Seamless provisioning

Integrations with identity service providers, like Okta, Microsoft Active Directory and Google, to streamline end-user roll out when used with mobile credential provisioning. Supports remote unlocking with user-level privileges.



Lifetime limited warranty

Ensure peace of mind, knowing that Avigilon stands behind its access control hardware with a lifetime limited warranty, guaranteeing the quality of your security solution.

Microsoft is a trademark of the Microsoft group of companies.

Specifications

OPERATING MODES

Selectable Modes*	Smart Reader mode for use in Avigilon Access Control systems (RS-485 only)
	Enrollment Reader mode to scan access cards into a system (USB only)

*Reader cannot be used as a Smart Reader and enrollment reader at the same time.

COMPATIBILITY

Mobile Credential	For Smart Reader mode only: Bluetooth LE NFC (Android only) Auto Proximity Unlock Wave to Unlock
	Supported on iOS and Android™ compatible devices

High-Frequency (13.56 MHz) Card and Fob*	Avigilon DESFire® EV3 Smart Card and Fob MIFARE Classic, DESFire, Ultralight (ISO14443A) CSN
--	---

Low-Frequency (125 kHz) Card and Fob	Avigilon Proximity Card and Fob HID® Proximity™, ProxCard®, LenelProx®
--------------------------------------	---

*The discontinued Avigilon MIFARE Classic 1K Fob, and Openpath EV1 and EV2 cards, are still compatible. The EV3-A card is still referred to as the Openpath DESFire EV3 Smart Card.

iOS is a trademark of Apple Inc. Android is a trademark of Google LLC.

GENERAL

LED Indicators	Reader power on or off, user access granted or denied, entry or door locked or unlocked, provisioning and connection status to access control system
----------------	--

Wiring	RS-485 to connect to Avigilon expansion boards Wiegand inputs for third-party devices Pigtail Length: 12 in (305 mm)
--------	--

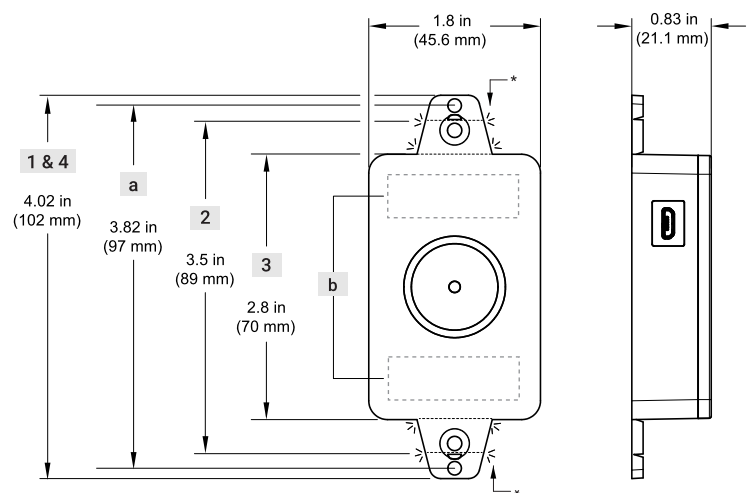
Power	0.5A @ 5VDC (USB operation only) 0.25A @ 12VDC 0.12A @ 24VDC
-------	--

DIMENSIONS

Device Only

Installation Types

- 1** Architectural application
Install within kiosks, turnstiles, parking systems, or other enclosures using the mounting holes **a**
- 2** Flush mount in US gang box
- 3** Mount behind panels using adhesive strips in the recommended mounting strip location **b**
- 4** Desktop mount for use as enrollment reader using the mounting holes **a**



*Remove breakaway tabs carefully using pliers.

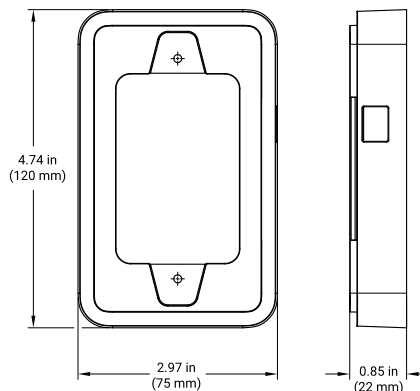
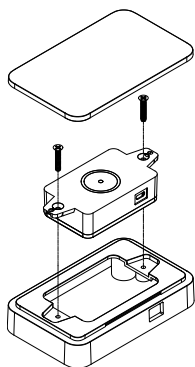


DIMENSIONS (OP-R2X-EMBD)

Optional Desktop Bracket

4 (continued)

For desktop enrollment reader mode:



(ordered separately)

Weight 0.235 lbs (107 g)

ENVIRONMENTAL

Temperature Operating Temperature: -30°C (-22°F) to 60°C (140°F)

Humidity Operating Humidity: 5% to 85% relative, non-condensing

IP Rating Indoor and Outdoor: IP65 (IEC 60529)

Operating temperature must not be exceeded.

REGULATORY

Certifications FCC (United States), IC (Canada), CE (Europe), UKCA (United Kingdom), NOM (Mexico), BIS (India), RCM (Australia, New Zealand), ANATEL (Brazil), UL 294*, RoHS, CAN/ULC 60839-11-1
*Performance Levels: Attack Level I, Endurance Level I, Line Security Level I, Standby Power Level I

Compliance NDAA, TAA

WARRANTY

Avigilon Alta Access Warranty Lifetime limited; for more information, visit [avigilon.com/support/warranty](https://www.avigilon.com/support/warranty)



Ordering Information

PART NUMBER	DESCRIPTION
OP-R2X-EMBD	Avigilon Embedded USB Smart Reader
OP-RSC-DESK	Desktop Bracket for Embedded USB Smart Reader installed as enrollment reader

Support

For product support, visit: [avigilon.com](https://www.avigilon.com) or sales@avigilon.com

To learn more, visit:

[avigilon.com/access-control/embedded-usb-smart-reader](https://www.avigilon.com/access-control/embedded-usb-smart-reader)



Motorola Solutions, Inc. 500 West Monroe Street, Chicago, IL 60661 U.S.A. [motorolasolutions.com](https://www.motorolasolutions.com)

© 2024, Avigilon Corporation. All rights reserved. MOTOROLA, MOTO, MOTOROLA SOLUTIONS and the Stylized M Logo are trademarks or registered trademarks of Motorola Trademark Holdings, LLC and are used under license. All other trademarks are the property of their respective owners.

20240708-en