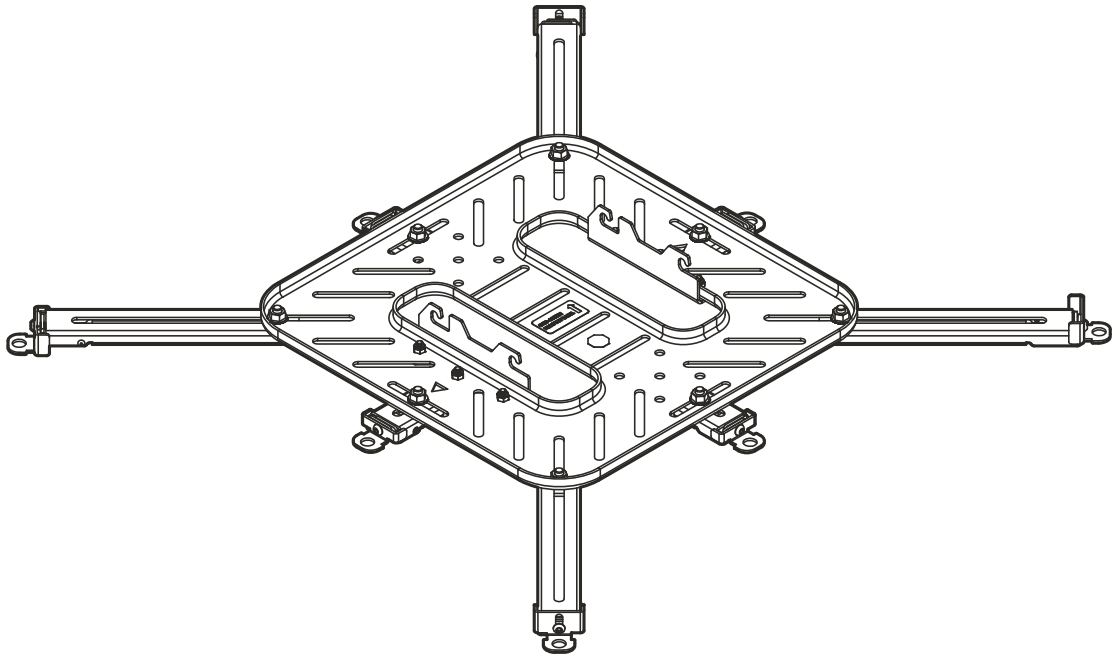

INSTALLATION INSTRUCTIONS



XL Projector Interface Bracket

 **CHIEF**[®]

A brand of  **legrand**[®]

HCU

DISCLAIMER

Legrand | AV and its affiliated corporations and subsidiaries (collectively "Legrand | AV"), intend to make this manual accurate and complete. However, Legrand | AV makes no claim that the information contained herein covers all details, conditions or variations, nor does it provide for every possible contingency in connection with the installation or use of this product. The information contained in this document is subject to change without notice or obligation of any kind. Legrand | AV makes no representation of warranty, expressed or implied, regarding the information contained herein. Legrand | AV assumes no responsibility for accuracy, completeness or sufficiency of the information contained in this document.

Chief® is a registered trademark of Legrand AV Inc.

DEFINITIONS

MOUNTING SYSTEM: A MOUNTING SYSTEM is the primary Chief product to which an accessory and/or component is attached.

ACCESSORY: AN ACCESSORY is the secondary Chief product which is attached to a primary Chief product, and may have a component attached or setting on it.

COMPONENT: A COMPONENT is an audiovisual item designed to be attached or resting on an accessory or mounting system such as a video camera, CPU, screen, display, projector, etc.



WARNING: A WARNING alerts you to the possibility of serious injury or death if you do not follow the instructions.



CAUTION: A CAUTION alerts you to the possibility of damage or destruction of equipment if you do not follow the corresponding instructions.



IMPORTANT SAFETY INSTRUCTIONS



WARNING: Failure to read, thoroughly understand, and follow all instructions can result in serious personal injury, damage to equipment, or voiding of factory warranty! It is the installer's responsibility to make sure all accessories are properly assembled and installed using the instructions provided.



WARNING: Exceeding the weight capacity can result in serious personal injury or damage to equipment! It is the installer's responsibility to make sure the combined weight of all components attached to the HCU does not exceed 150 lbs (68.0 kg).



WARNING: Use this accessory only for its intended use as described in these instructions. Do not use attachments not recommended by the manufacturer.



WARNING: Never operate this accessory if it is damaged. Return the accessory to a service center for examination and repair.

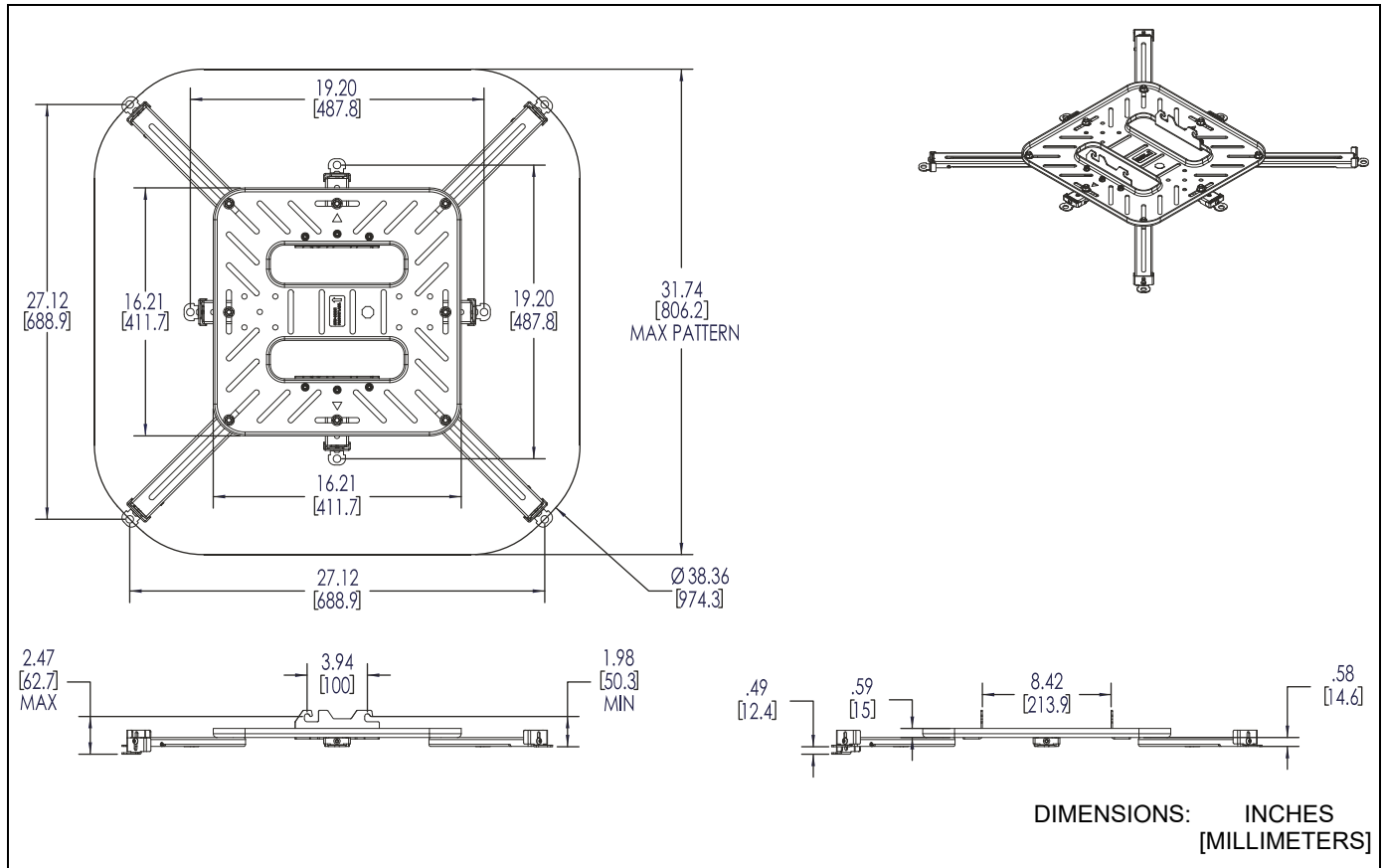


WARNING: Do not use this accessory outdoors.

NOTE: The HCU interface bracket may be used with Listed Chief model VCT000.

--SAVE THESE INSTRUCTIONS--

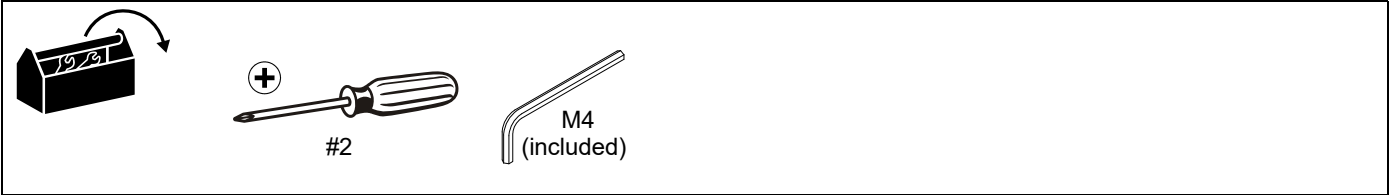
DIMENSIONS



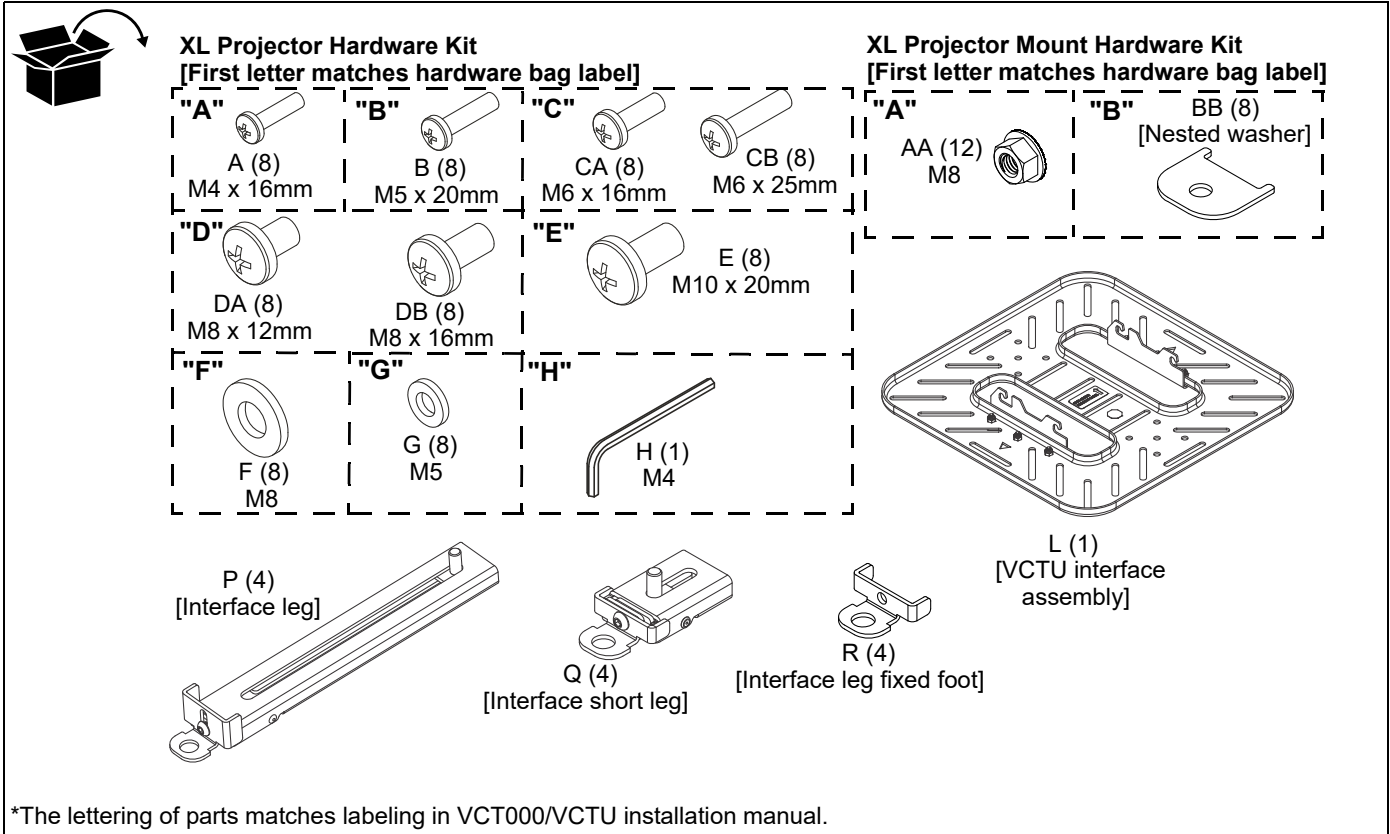
LEGEND

	Tighten Fastener		Phillips Screwdriver
	Apretar elemento de fijación		Destornillador Phillips
	Befestigungsteil festziehen		Kreuzschlitzschraubendreher
	Apertar fixador		Chave de fendas Phillips
	Serrare il fissaggio		Cacciavite a stella
	Bevestiging vastdraaien		Kruiskopschroevendraaier
	Serrez les fixations		Tournevis à pointe cruciforme
	Loosen Fastener		Hex-Head Wrench
	Aflojar elemento de fijación		Llave de cabeza hexagonal
	Befestigungsteil lösen		Sechskantschlüssel
	Desapertar fixador		Chave de cabeça sextavada
	Allentare il fissaggio		Chiave esagonale
	Bevestiging losdraaien		Zeskantsleutel
	Desserrez les fixations		Clé à tête hexagonale

TOOLS REQUIRED FOR INSTALLATION



PARTS



*The lettering of parts matches labeling in VCT000/VCTU installation manual.

INSTALLATION

Pre-Installation Adjustment Information

Interface Legs Adjustments

- **A** The height of the interface legs can be adjusted by loosening the button head screw at the end of the leg, adjusting leg height up or down, and tightening the button head screw at the required height. (See Figure 1)
- **B** The height of the interface legs (P) can be changed for low clearance installations by removing the foot and replacing it with the fixed foot (P). (See Figure 1)
- **C** The nested washer (BB) should be added to the installation when using M4, M5 or M6 attachment screws. (See Figure 1)

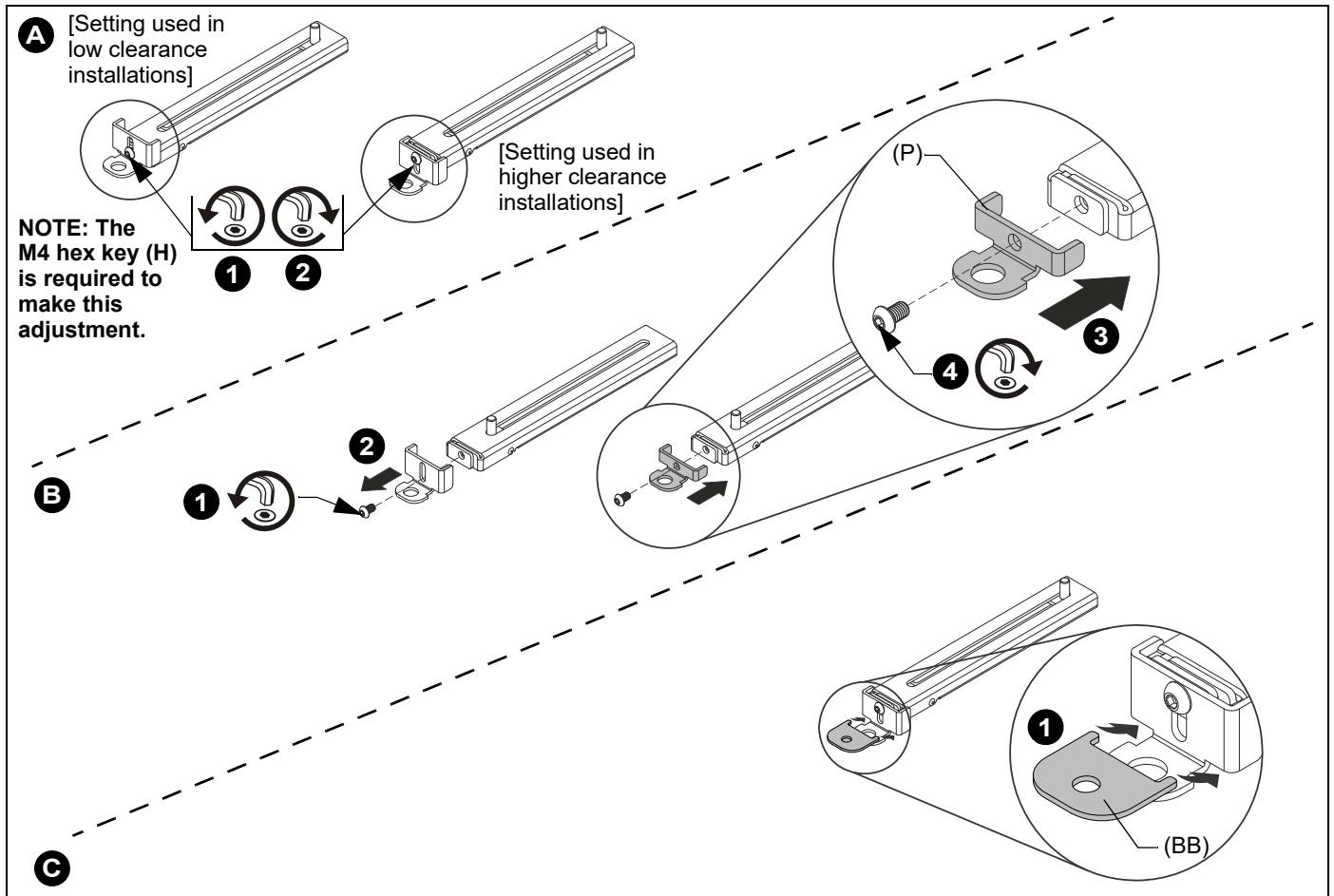


Figure 1

Installing HCU Interface Bracket

⚠ WARNING: IMPROPER INSTALLATION CAN LEAD TO PROJECTOR FALLING RESULTING IN SERIOUS PERSONAL INJURY OR DAMAGE TO EQUIPMENT. DO NOT substitute hardware. Use only the hardware provided by the manufacturer.

NOTE: Figure 2 shows a possible scenario based on a sample projector. Specific connection points for the interface legs will vary based on the projector hole pattern. Multiple scenarios may be used for each specific hole pattern as long as the weight of the projector is centered and balanced after mounting.

NOTE: The triangles on the interface assembly (L) should be facing towards the screen and away from the screen when attached to the projector. (See Figure 3)

1. Maneuver legs on top of the projector so that sliding stud brackets within legs (P and/or Q) are positioned towards the middle of the projector, and the attachment point of legs are located over threaded holes in projector. (See Figure 2)

IMPORTANT ! : A minimum of four projector legs must be used.

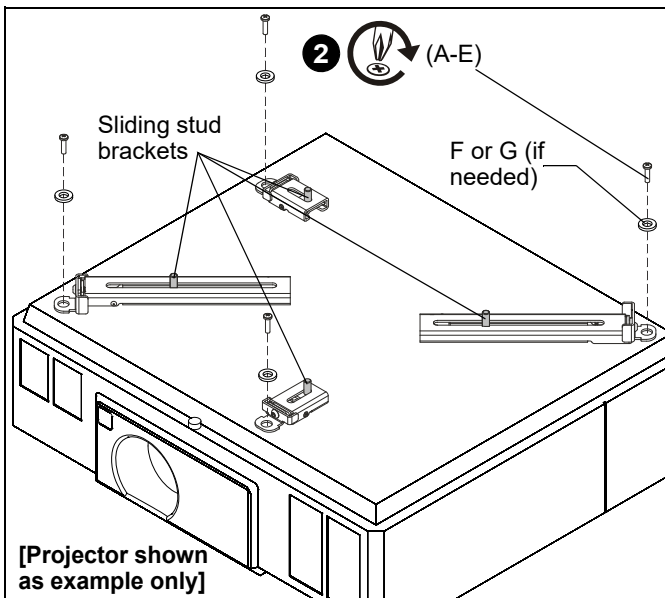


Figure 2

⚠ WARNING: IMPROPER INSTALLATION CAN LEAD TO DISPLAY FALLING CAUSING SERIOUS PERSONAL INJURY OR DAMAGE TO EQUIPMENT! Using screws of improper size may damage your projector. Properly sized screws will easily and completely thread into projector mounting holes. If spacers are required, be sure to use longer screws of the same diameter.

2. Select correct screws and spacers (if necessary) from the hardware bag (A-H) and attach legs to top of projector. (See Figure 2)

NOTE: The nested washer (BB) should be added to the installation when using M4, M5 or M6 attachment screws. (See Figure 1)

3. Position sliding stud brackets on legs so that VCTU interface assembly (L) can be evenly mounted to legs. (See Figure 3)
4. Place interface assembly (L) over sliding stud brackets in all legs. (See Figure 3)

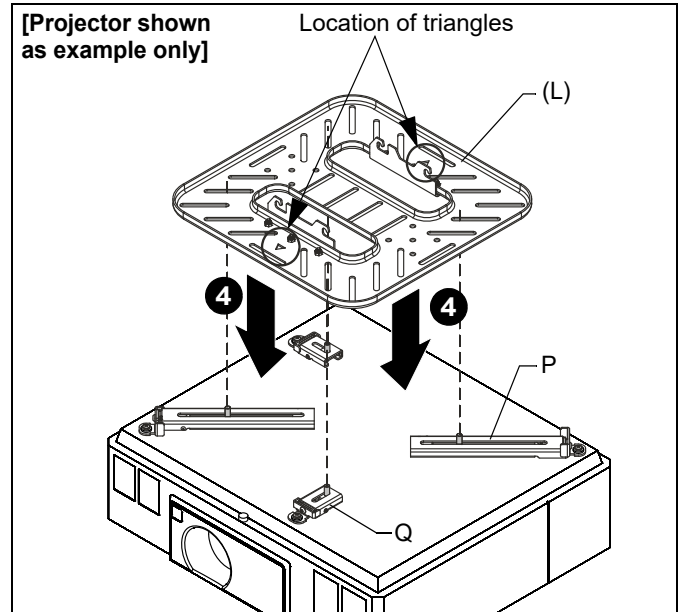


Figure 3

5. Fasten interface assembly (L) over sliding stud brackets in legs using one M8 flanged nut (AA) per interface leg (P or Q). (See Figure 4)

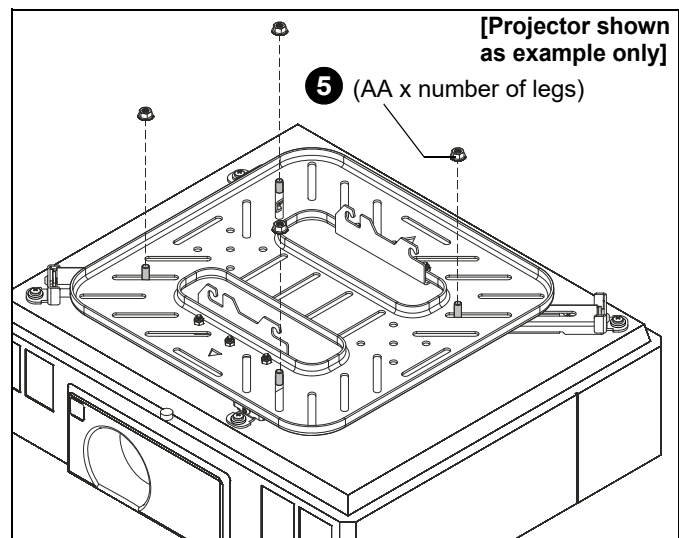


Figure 4

6. Attach HCU to VCT000. Refer to VCT000/VCTU installation manual for details.



A brand of  **legrand**

8800-003080 Rev02
©2019 Legrand | AV
www.legrandav.com
06/19

USA/International	A 6436 City West Parkway, Eden Prairie, MN 55344 P 800.582.6480 / 952.225.6000 F 877.894.6918 / 952.894.6918
Europe	A Franklinstraat 14, 6003 DK Weert, Netherlands P +31 (0) 495 580 852 F +31 (0) 495 580 845
Asia Pacific	A Office No. 918 on 9/F, Shatin Galleria 18-24 Shan Mei Street Fotan, Shatin, Hong Kong P 852 2145 4099 F 852 2145 4477

