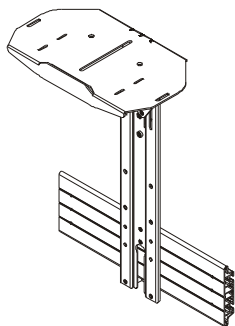
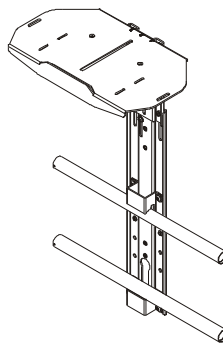
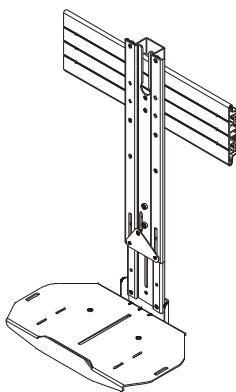

INSTALLATION INSTRUCTIONS



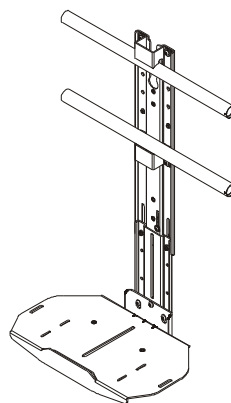
Above Cart/Ceiling



Above Wall



Below Cart/Ceiling



(FCA801 shown)

Below Wall

Fusion™ Large Above/Below Accessory Shelf

DISCLAIMER

Milestone AV Technologies and its affiliated corporations and subsidiaries (collectively "Milestone"), intend to make this manual accurate and complete. However, Milestone makes no claim that the information contained herein covers all details, conditions or variations, nor does it provide for every possible contingency in connection with the installation or use of this product. The information contained in this document is subject to change without notice or obligation of any kind. Milestone makes no representation of warranty, expressed or implied, regarding the information contained herein. Milestone assumes no responsibility for accuracy, completeness or sufficiency of the information contained in this document.

Chief® is a registered trademark of Milestone AV Technologies. All rights reserved.

DEFINITIONS

WARNING: A WARNING alerts you to the possibility of serious injury or death if you do not follow the instructions.

CAUTION: A CAUTION alerts you to the possibility of damage or destruction of equipment if you do not follow the corresponding instructions.

MOUNTING SYSTEM: A MOUNTING SYSTEM is the primary product designed to mount the projector or display.

ACCESSORY: An ACCESSORY is any product designed by Chief® to complement the primary mounting system either by mounting any supporting components or enhancing the mounting capabilities of the primary mounting system.

COMPONENT: A COMPONENT is any secondary product designed to be used with the accessory, i.e. speakers, CPU's, cameras, tablets, additional displays.

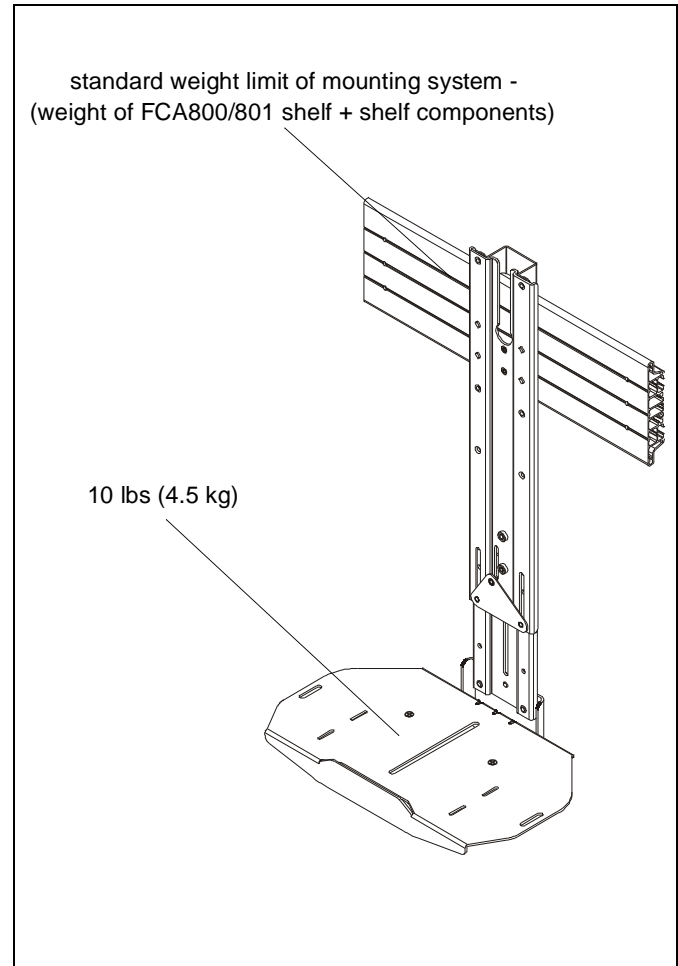
! IMPORTANT SAFETY INSTRUCTIONS

! WARNING: Failure to read, thoroughly understand, and follow all instructions can result in serious personal injury, damage to equipment, or voiding of factory warranty! It is the installer's responsibility to make sure all components are properly assembled and installed using the instructions provided.

! WARNING: Exceeding the weight capacity can result in serious personal injury or damage to equipment! It is the installer's responsibility to make sure the weight mounted to the FCA800/801 shelf does not exceed 10 lbs (4.5 kg).



WARNING: Use of this accessory will decrease the weight capacity of the mounting system to which it is attached by the combined weight of the accessory and all components supported by this accessory! See Figure below for reference.



WARNING: Use this accessory only for its intended use as described in these instructions. Do not use attachments not recommended by the manufacturer.



WARNING: Never operate this accessory if it is damaged. Return the accessory to a service center for examination and repair.



WARNING: Do not use this product outdoors.

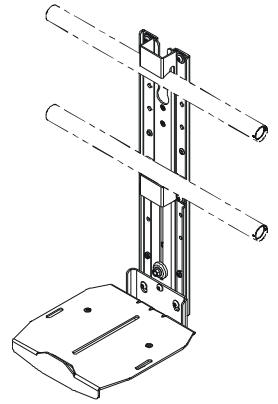
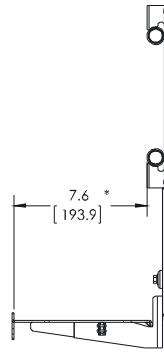
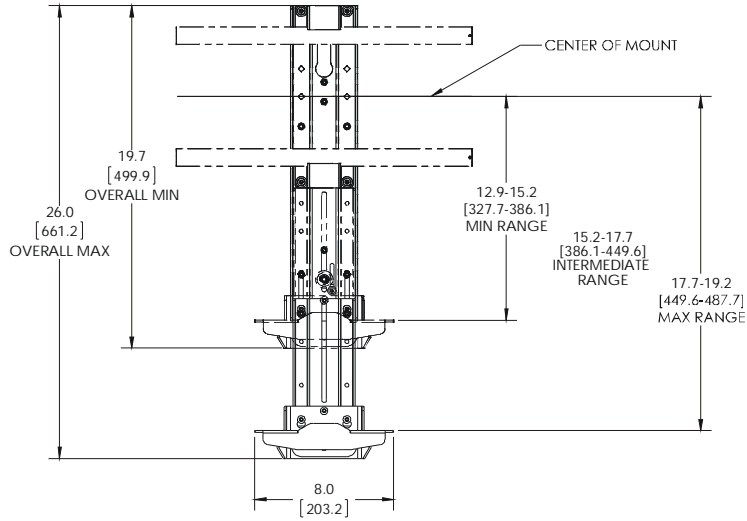


WARNING: RISK OF INJURY TO PERSONS! Do not use this accessory to support video equipment such as televisions or computer monitors.

--SAVE THESE INSTRUCTIONS--

DIMENSIONS - FCA800

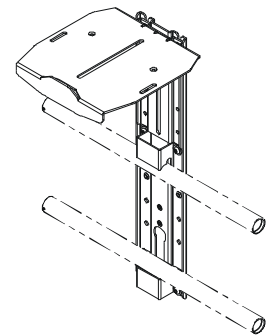
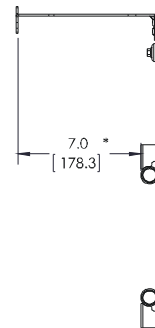
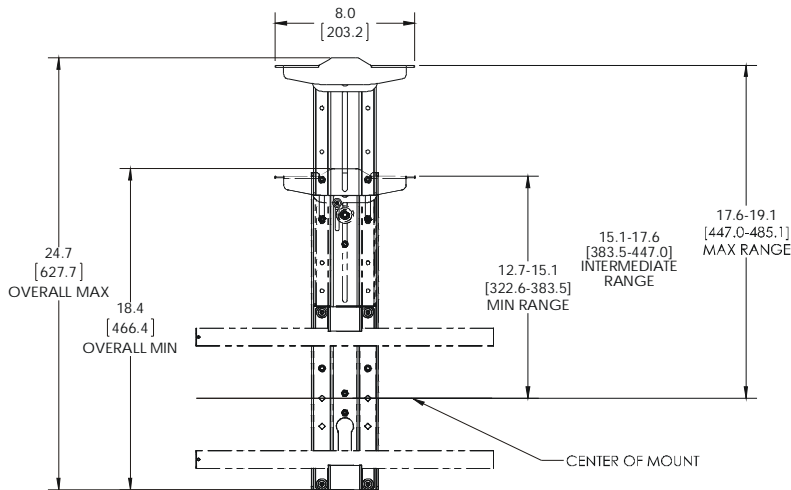
FUSION WALL BELOW MOUNT SETUP



(*)NOTES:

- TYPICAL FUSION INTERFACES ARE 0.625" [15.9] DEEP

FUSION WALL ABOVE MOUNT SETUP

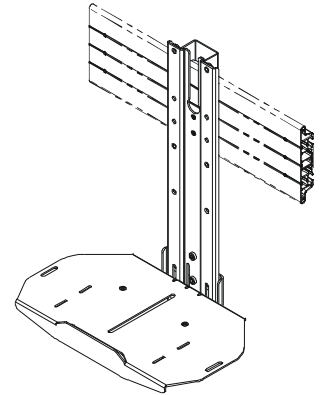
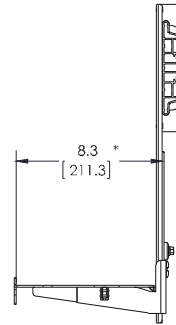
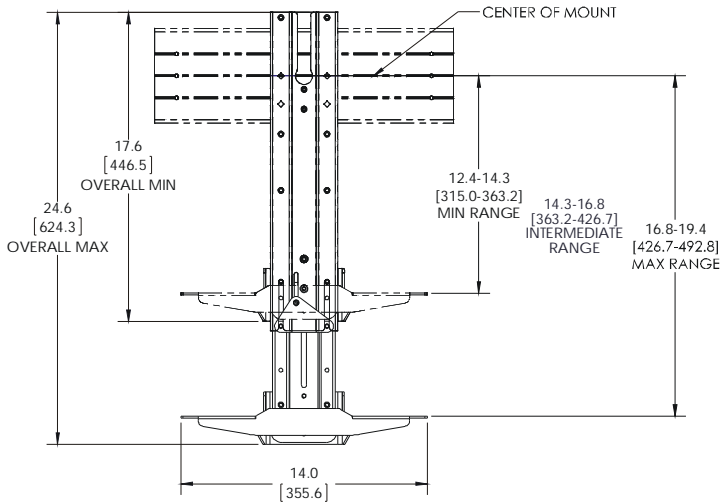


(*)NOTES:

- TYPICAL FUSION INTERFACES ARE 0.625" [15.9] DEEP

DIMENSIONS - FCA800 (CONTINUED)

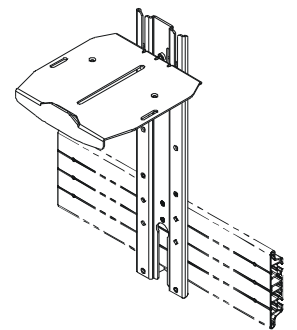
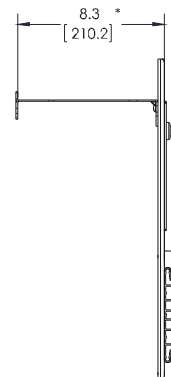
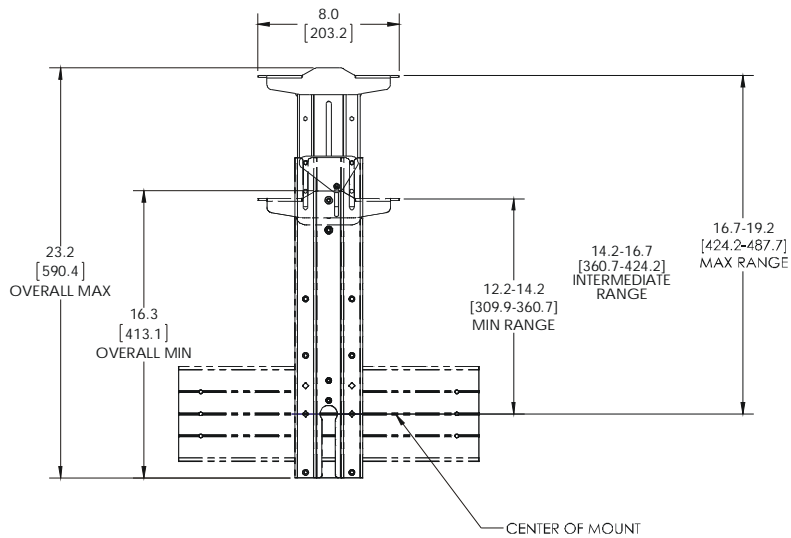
FUSION CEILING/CART BELOW MOUNT SETUP



(*)NOTES:

- TYPICAL SINGLE DISPLAY MODELS HAVE INTERFACE DEPTHS .5" [12.7]
- TYPICAL DUAL DISPLAY MODELS HAVE INTERFACE DEPTHS 1.9" [48.3]
- FCA623 DUAL MONITOR INTERFACES ARE 1.4" DEEP [35.6]

FUSION CEILING/CART ABOVE MOUNT SETUP

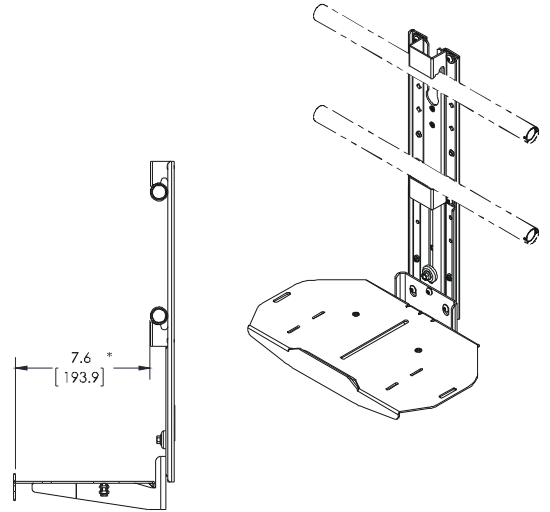
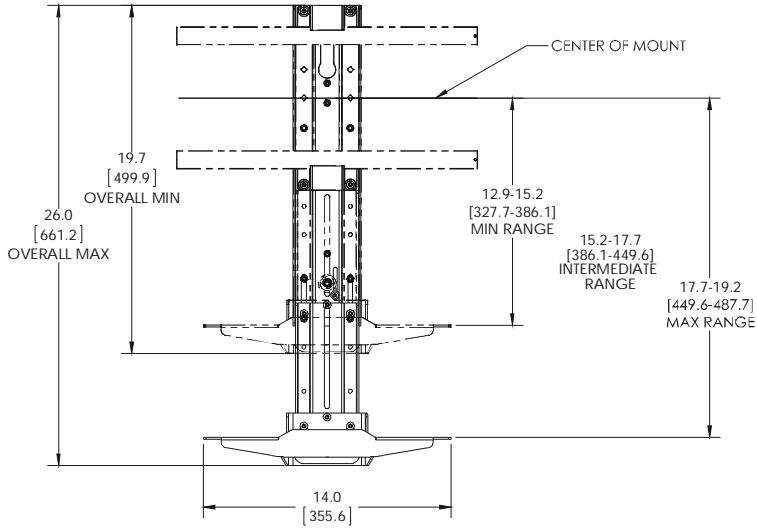


(*)NOTES:

- TYPICAL SINGLE DISPLAY MODELS HAVE INTERFACE DEPTHS .5" [12.7]
- TYPICAL DUAL DISPLAY MODELS HAVE INTERFACE DEPTHS 1.9" [48.3]
- FCA623 DUAL MONITOR INTERFACES ARE 1.4" DEEP [35.6]

DIMENSIONS - FCA801

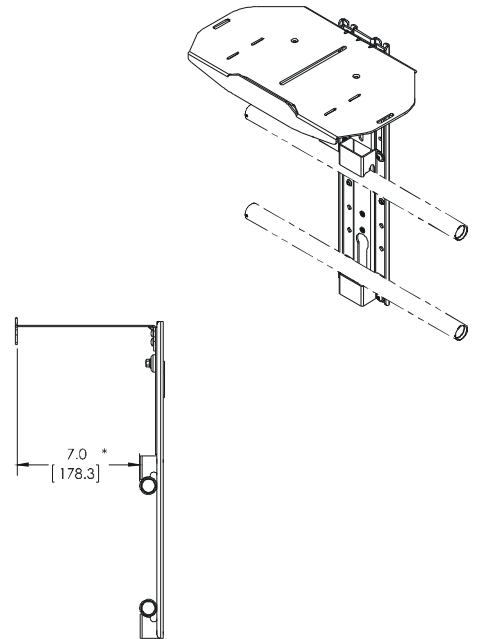
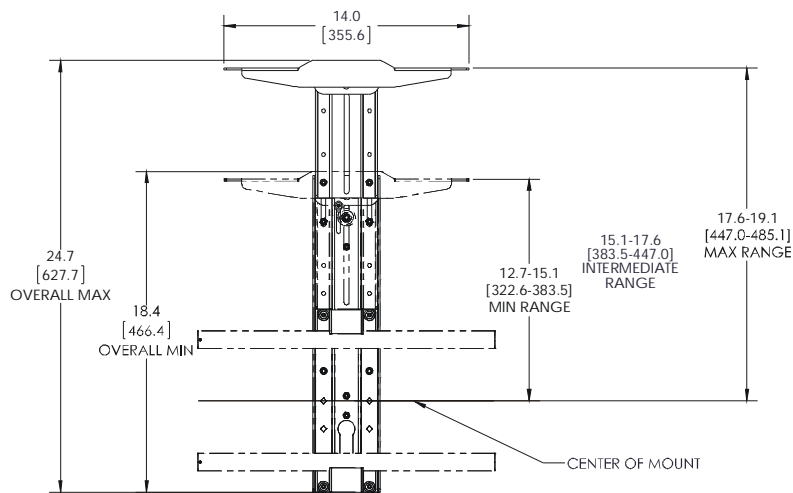
FUSION WALL BELOW MOUNT SETUP



(*)NOTES:

- TYPICAL FUSION INTERFACES ARE 0.625" [15.9] DEEP

FUSION WALL ABOVE MOUNT SETUP

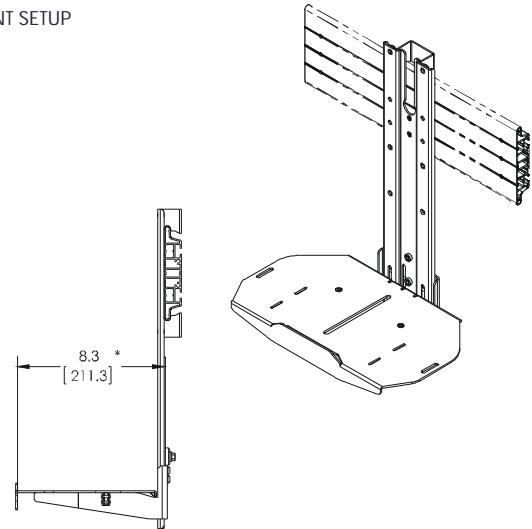
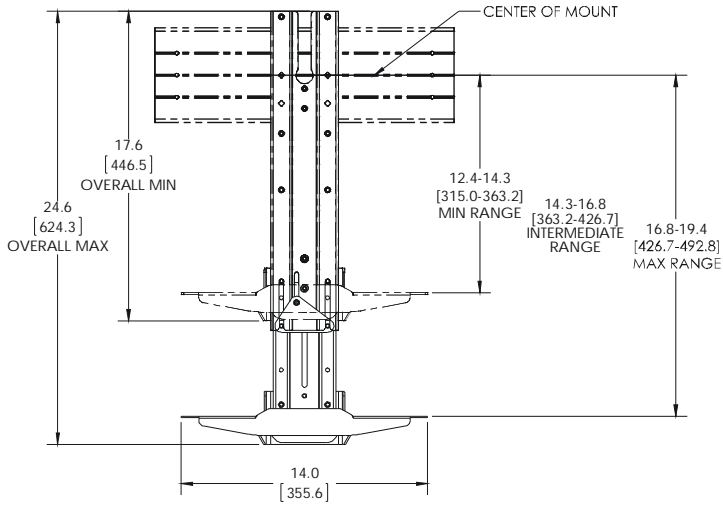


(*)NOTES:

- TYPICAL FUSION INTERFACES ARE 0.625" [15.9] DEEP

DIMENSIONS - FCA801 (CONTINUED)

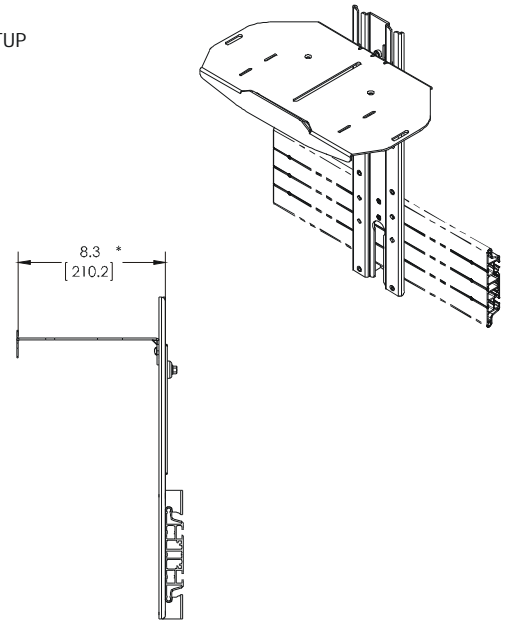
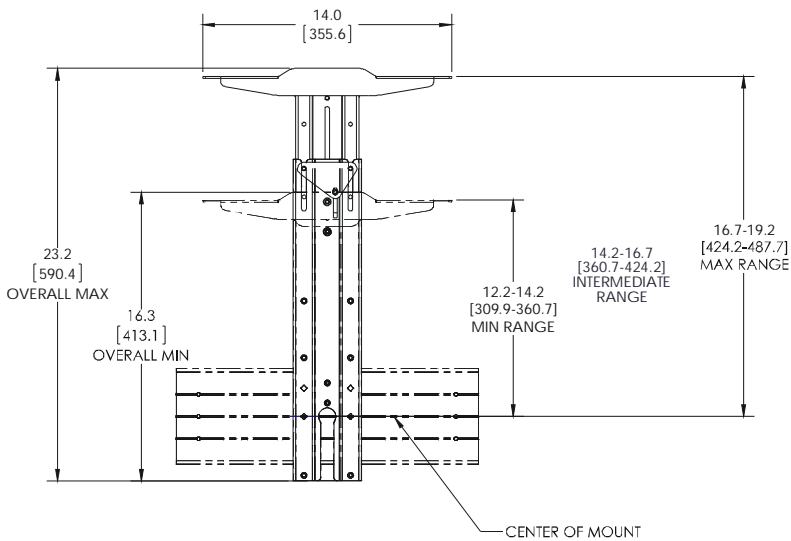
FUSION CEILING/CART BELOW MOUNT SETUP



(*)NOTES:

- TYPICAL SINGLE DISPLAY MODELS HAVE INTERFACE DEPTHS .5" [12.7]
- TYPICAL DUAL DISPLAY MODELS HAVE INTERFACE DEPTHS 1.9" [48.3]
- FCA623 DUAL MONITOR INTERFACES ARE 1.4" DEEP [35.6]

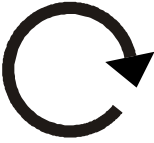

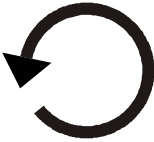


FUSION CEILING/CART ABOVE MOUNT SETUP



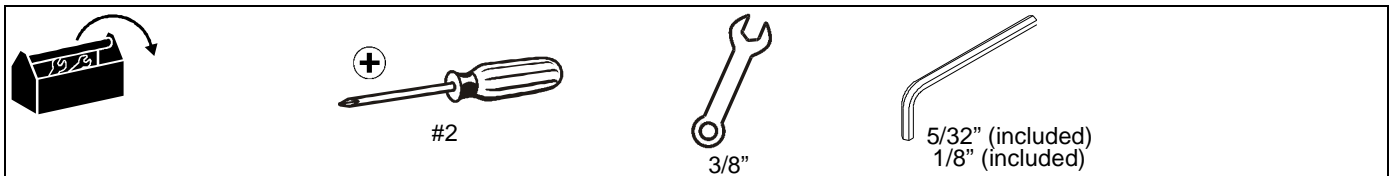
(*)NOTES:

- TYPICAL SINGLE DISPLAY MODELS HAVE INTERFACE DEPTHS .5" [12.7]
- TYPICAL DUAL DISPLAY MODELS HAVE INTERFACE DEPTHS 1.9" [48.3]
- FCA623 DUAL MONITOR INTERFACES ARE 1.4" DEEP [35.6]

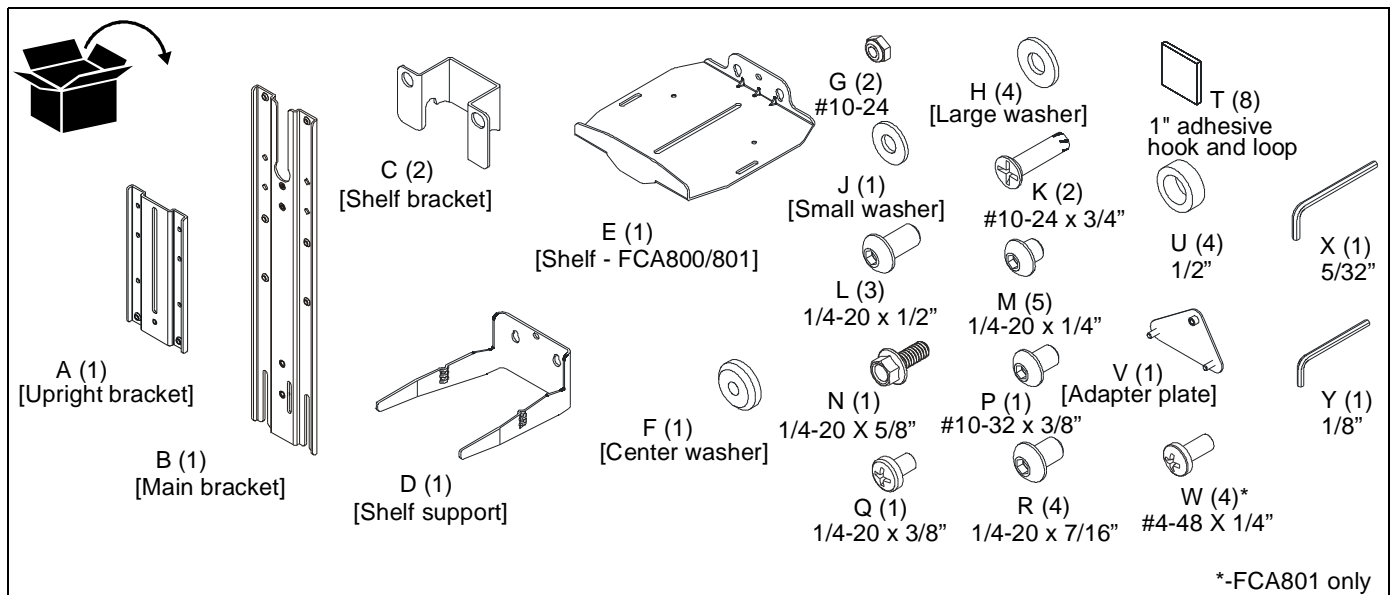
LEGEND

	Tighten Fastener		Phillips Screwdriver
	Apretar elemento de fijación		Destornillador Phillips
	Befestigungsteil festziehen		Kreuzschlitzschraubendreher
	Apertar fixador		Chave de fendas Phillips
	Serrare il fissaggio		Cacciavite a stella
	Bevestiging vastdraaien		Kruiskopschroevendraaier
Serrez les fixations	Tournevis à pointe cruciforme		
	Loosen Fastener		Open-Ended Wrench
	Aflojar elemento de fijación		Llave de boca
	Befestigungsteil lösen		Gabelschlüssel
	Desapertar fixador		Chave de bocas
	Allentare il fissaggio		Chiave a punte aperte
	Bevestiging losdraaien		Steeksleutel
Desserrez les fixations	Clé à fourche		
	Hex-Head Wrench		
	Llave de cabeza hexagonal		
	Sechskantschlüssel		
	Chave de cabeça sextavada		
	Chiave esagonale		
	Zeskantsleutel		
Clé à tête hexagonale			

TOOLS REQUIRED FOR INSTALLATION



PARTS



*-FCA801 only

ASSEMBLY AND INSTALLATION

Below Installation

NOTE: FCA800 and FCA801 shelves may be installed above or below displays. To install above display, proceed to "Above Installation" Section.

Assembling Shelf to Upright Bracket

1. Attach shelf (E) to shelf support (D) using two #10-24 x 3/4" Phillips flat head machine screws (K). (See Figure 1)

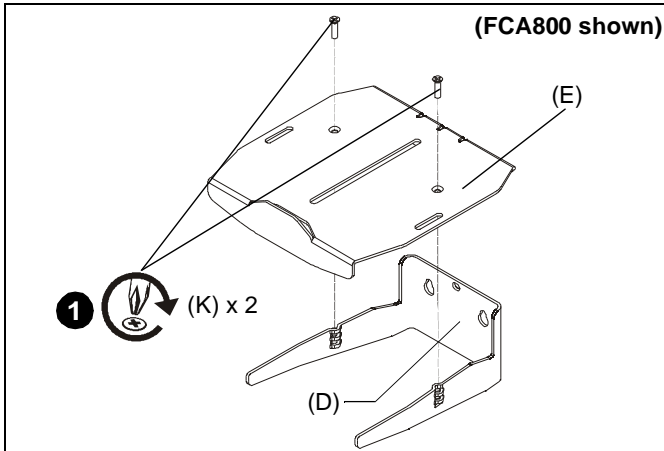


Figure 1

2. Install two 1/4-20 x 1/2" button head cap screws (L) into lowest holes on upright bracket (A). (See Figure 2) or (See Figure 3)
3. Hang shelf support (D) onto two screws installed in Step 2. (See Figure 2) or (See Figure 3)
4. Use one 1/4-20 x 1/4" button head cap screw (M) to secure upright bracket (A) to shelf support (D). (See Figure 2) or (See Figure 3)
5. Tighten all three screws to ensure upright bracket (A) is securely attached to shelf support (D).

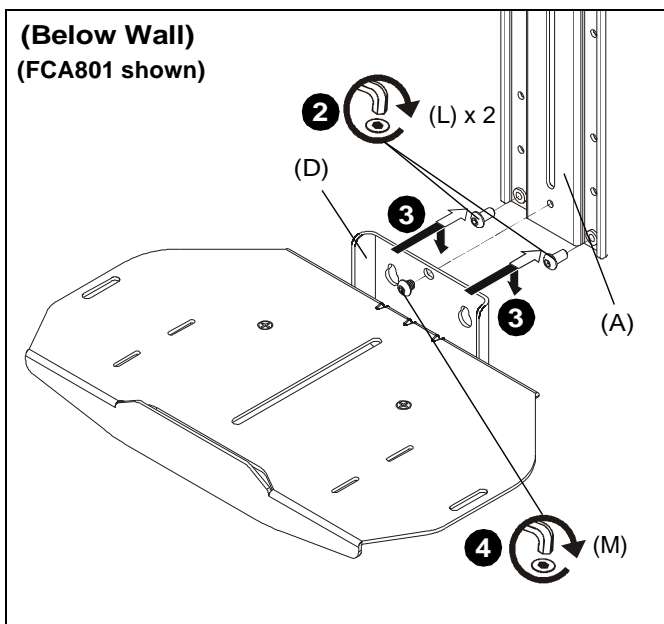


Figure 2

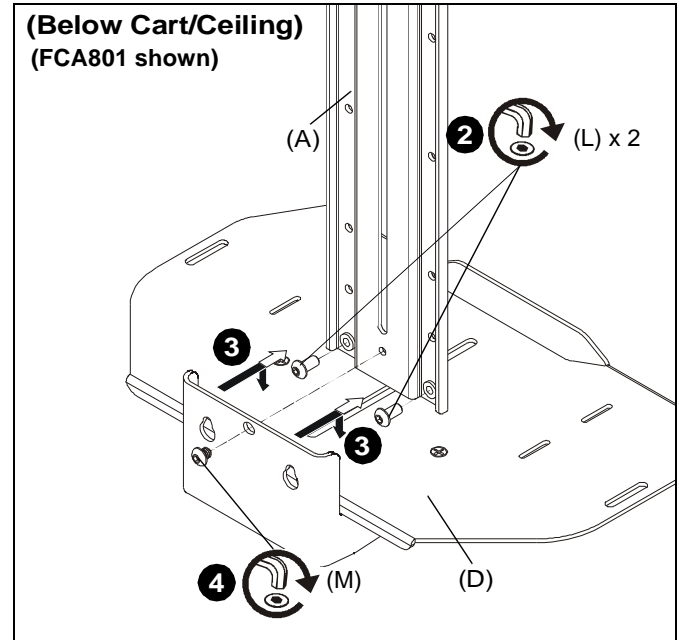


Figure 3

Attaching Shelf to Wall Mount

NOTE: If attaching to cart or ceiling mount, proceed to **Attach Shelf to Cart/Ceiling Section**.

1. Use two 1/4-20 x 1/4" button head cap screws (M) and two large washers (H) to secure shelf bracket (C) to main bracket (B). (See Figure 4)



CAUTION: Slide bracket with caution so that the bracket does not scratch or damage the wall!

2. Slide main bracket (B) behind wall mount rails until shelf bracket (C) rests on top of wall mount rail. (See Figure 4)

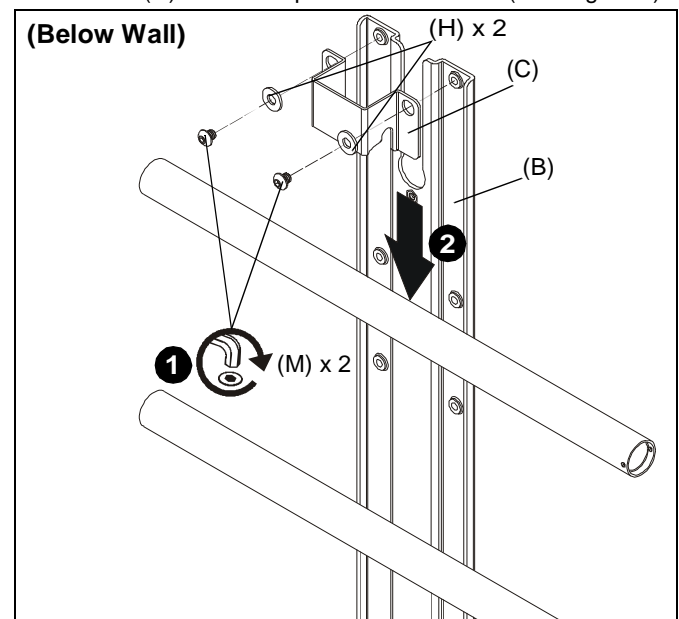


Figure 4

- Slide second shelf bracket (C) underneath lower rail on wall mount, lining up holes on shelf bracket (C) to main bracket (B). (See Figure 5)
- Use two 1/4-20 x 1/4" button head cap screws (M) and two large washers (H) to secure shelf bracket (C) to main bracket (B). (See Figure 5)

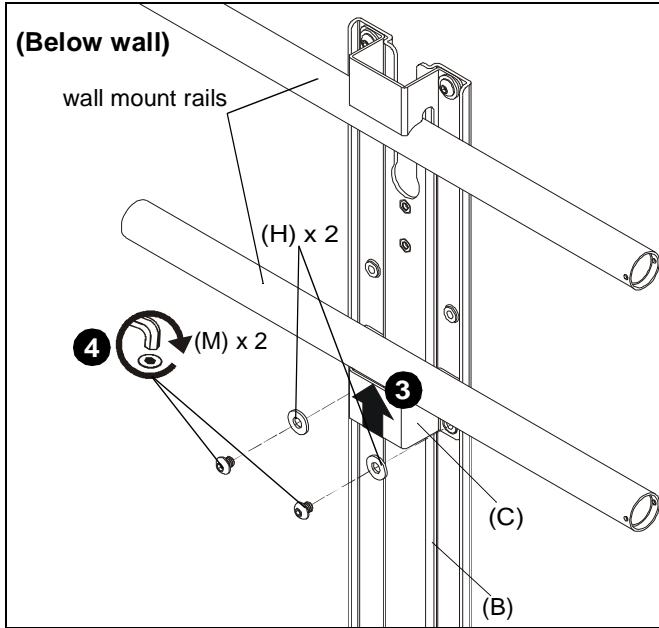


Figure 5

NOTE: Refer to Table 1 and dimension drawings on pages 3-6 to determine the extension level based on extension distance from mount center.

Table 1: Below Wall Mount

Extension distance from center of mount (in.)	
12.9-15.2	Minimum
15.2-17.7	Intermediate
17.7-19.2	Maximum

- (For **maximum extension**) Use #10-32 x 3/8" button head cap screw (P) and small washer (J) to secure adapter plate (V) to main bracket (B). (See Figure 6)
- (For **maximum extension**) Use two #10-24 lock nuts (G) to secure upright bracket (A) to main bracket (B) and adapter plate (V). (See Figure 6)

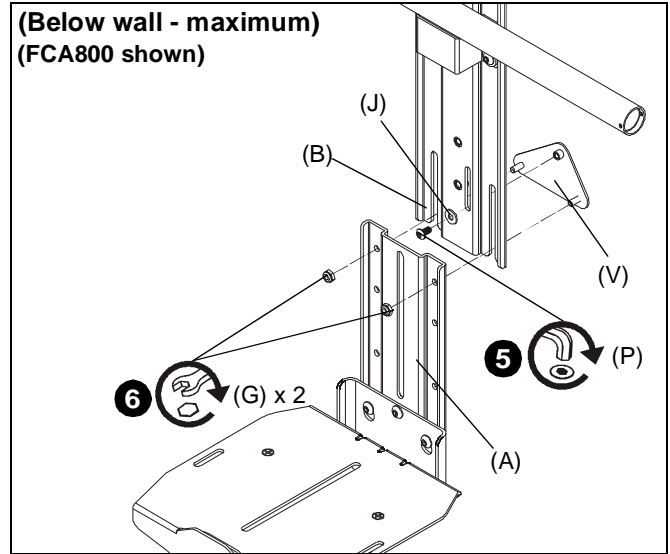


Figure 6

- (For **minimum/intermediate extension**) Use two #10-24 lock nuts (G) to secure upright bracket (A) to main bracket (B) and adapter plate (V). (See Figure 7)

NOTE: Minimum configuration is shown below. Several intermediate configurations are possible depending on which holes are used.

- (For **minimum/intermediate extension**) Use 1/4-20 x 5/8" hex head flange bolt (N) and center washer (F) to secure upright bracket (A) to main bracket (B). (See Figure 7)

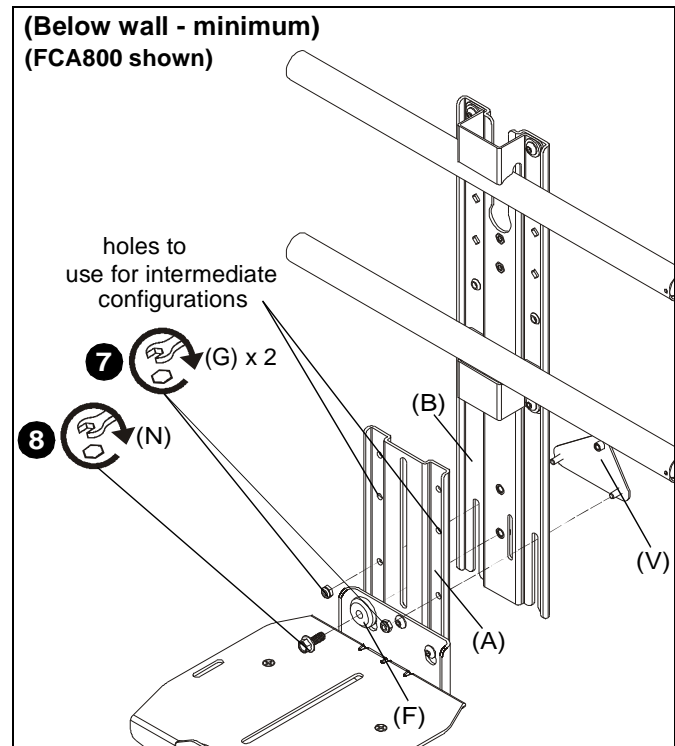


Figure 7

Attaching Shelf to Cart/Ceiling Mount

IMPORTANT ! : If installing to a 2x1 display cart using the FCA623 accessory, proceed to "Installing to FCA623 Accessory" Section (Step 6).

1. Use two 1/4-20 x 1/4" button head cap screws (M) and two large washers (H) to secure shelf bracket (C) to main bracket (B). (See Figure 8)
2. Slide main bracket (B) onto front of cart/ceiling mount head assembly until shelf bracket (C) rests on top of head assembly. (See Figure 8)

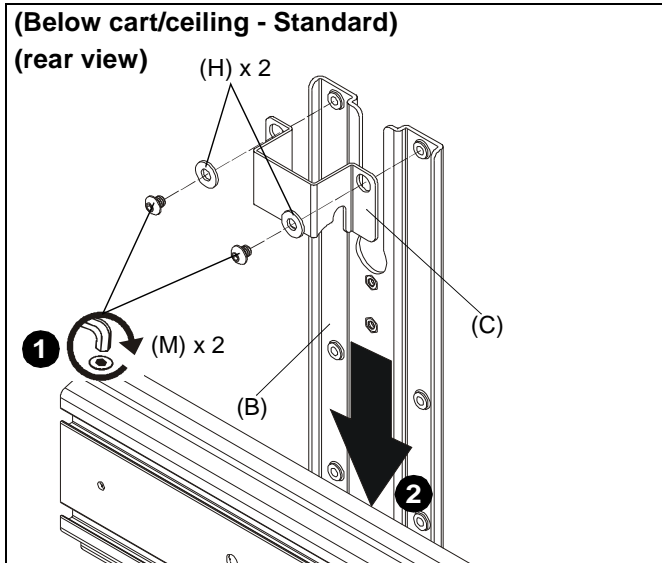


Figure 8

3. Slide second shelf bracket (C) underneath head assembly, lining up holes on shelf bracket (C) to holes on main bracket (B). (See Figure 9)
4. Use two 1/4-20 x 1/4" button head cap screws (M) and two large washers (H) to secure shelf bracket (C) to main bracket (B). (See Figure 9)

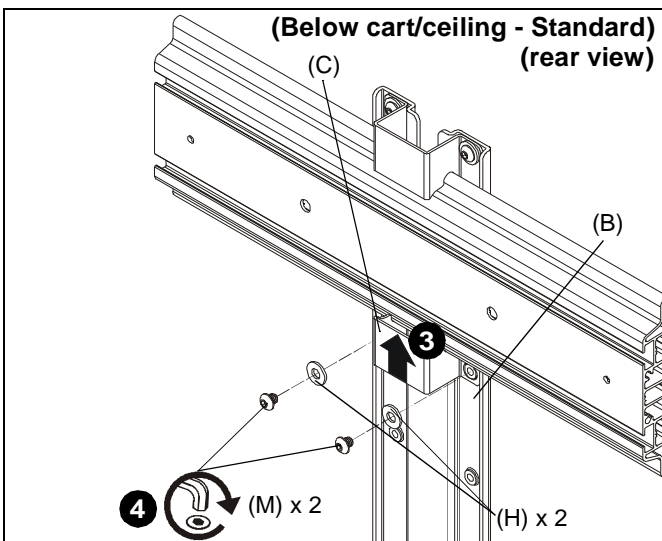


Figure 9

5. Proceed to Step 11.

Installing to FCA623 Accessory

IMPORTANT ! : Steps 6-10 only apply if installing to FCA623 accessory.

6. Use two 1/4-20 x 7/16" button head cap screws (R), two large washers (H) and two 1/2" spacers (U) to secure shelf bracket (C) to main bracket (B). (See Figure 10)
7. Slide main bracket (B) onto front of cart/ceiling mount head assembly until shelf bracket (C) rests on top of head assembly. (See Figure 10)

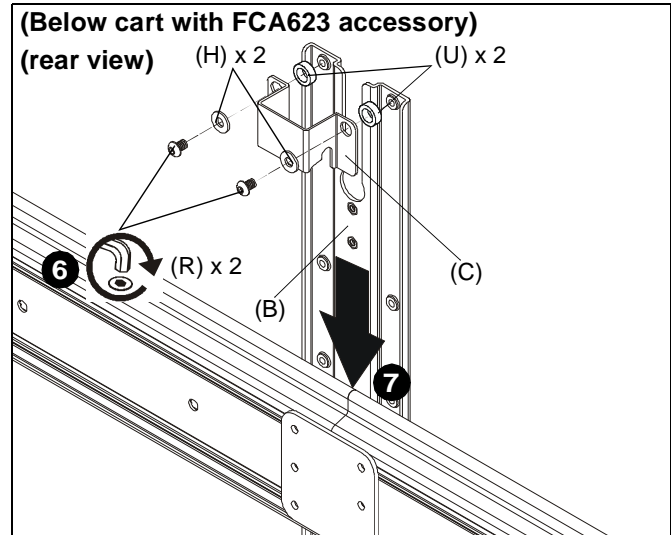


Figure 10

8. Slide second shelf bracket (C) underneath head assembly, lining up holes on shelf bracket (C) to holes on main bracket (B). (See Figure 11)
9. Slide two 1/2" spacers (U) in between shelf bracket (C) and main bracket (B). (See Figure 11)
10. Use two 1/4-20 x 7/16" button head cap screws (R) and two large washers (H) to secure shelf bracket (C) to main bracket (B). (See Figure 11)

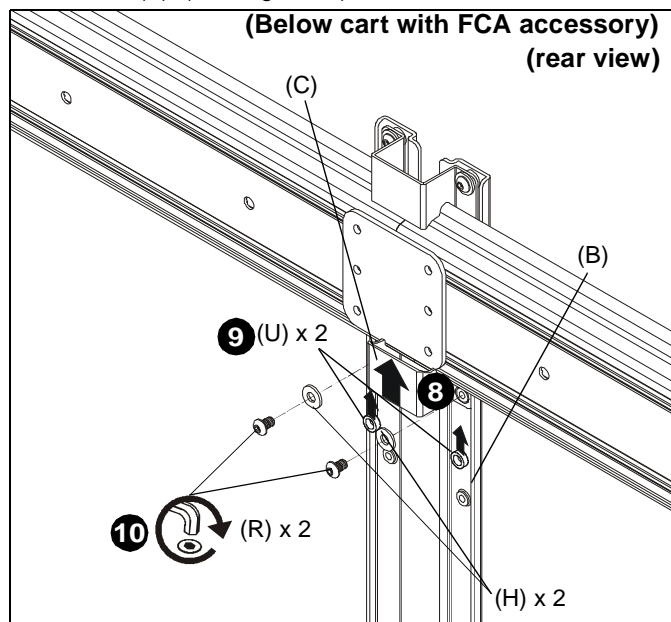


Figure 11

NOTE: Refer to Table 2 and dimension drawings on pages 3-6 to determine the extension level based on extension distance from mount center.

Table 2: Below Cart/Ceiling Mount

Extension distance from center of mount (in.)	
12.4-14.3	Minimum
14.3-16.8	Intermediate
16.8-19.4	Maximum

11. (For **maximum/intermediate extension**) Use two #10-24 lock nuts (G) to secure upright bracket (A) to main bracket (B) and adapter plate (V). (See Figure 12)

NOTE: Maximum configuration is shown below. Several intermediate configurations are possible depending on which holes are used.

12. (For **maximum/intermediate extension**) Use 1/4-20 x 5/8" hex head flange bolt (N) and center washer (F) to secure upright bracket (A) to main bracket (B). (See Figure 12)

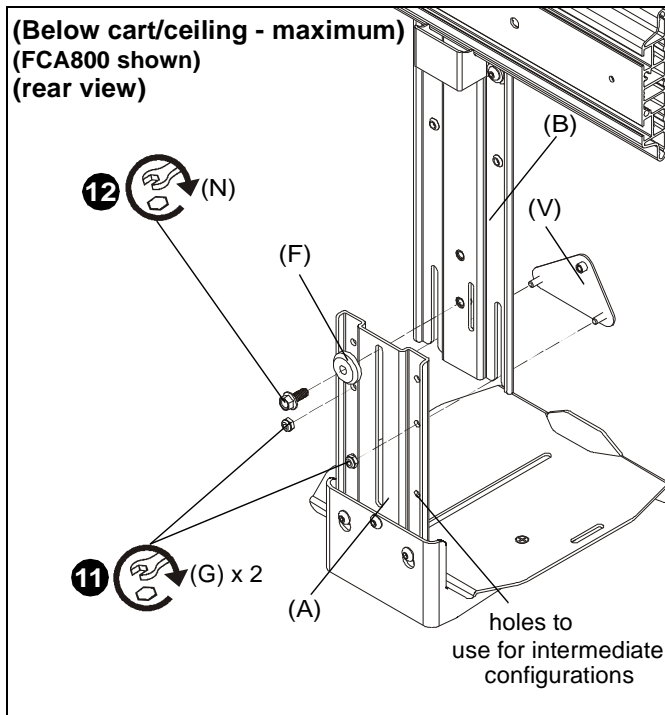


Figure 12

13. (For **minimum extension**) Slide upright bracket behind main bracket. (See Figure 13)

14. (For **minimum extension**) Use 1/4-20 x 5/8" hex head flange bolt (N) and center washer (F) to secure upright bracket (A) to main bracket (B). (See Figure 13)

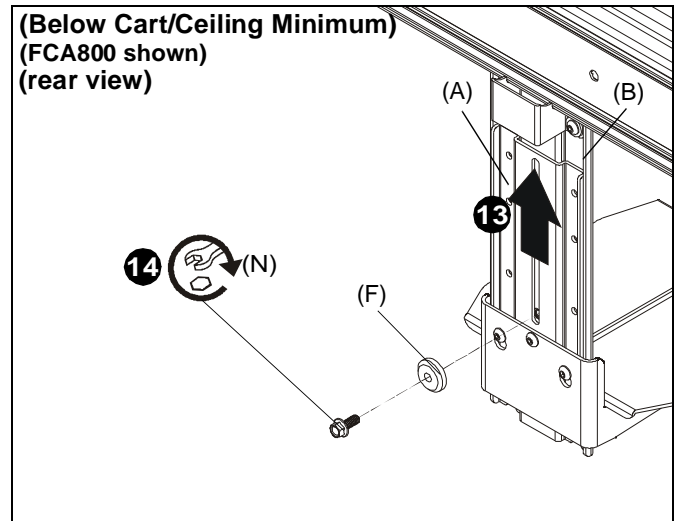


Figure 13

Above Installation

Assembling Shelf to Upright Bracket

1. Install two 1/4-20 x 1/2" button head cap screws (L) into lowest holes on upright bracket (A). (See Figure 14) or (See Figure 15)
2. Hang shelf (E) onto two screws installed in Step 1. (See Figure 14) or (See Figure 15)
3. Secure upright bracket (A) to shelf (E) using:
 - 1/4-20 x 1/4" button head cap screw (M) if installing to wall mount. (See Figure 14)
 - 1/4-20 x 1/2" button head cap screw (L) if installing to cart/ceiling mount. (See Figure 15)
4. Tighten all three screws to ensure shelf is secure.

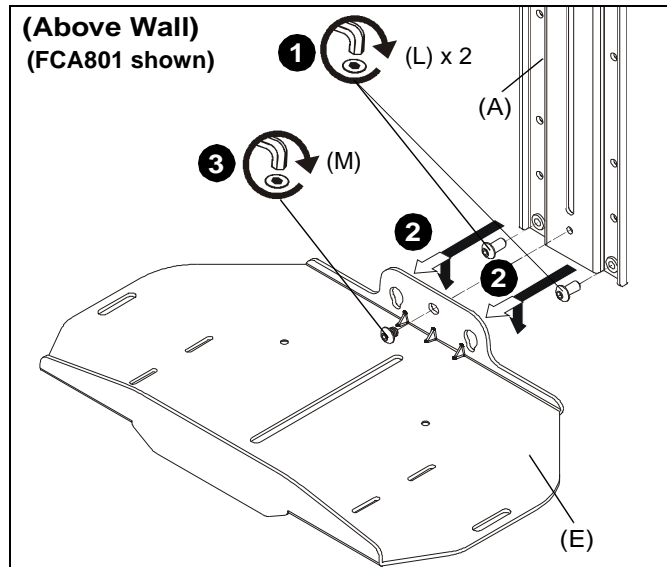


Figure 14

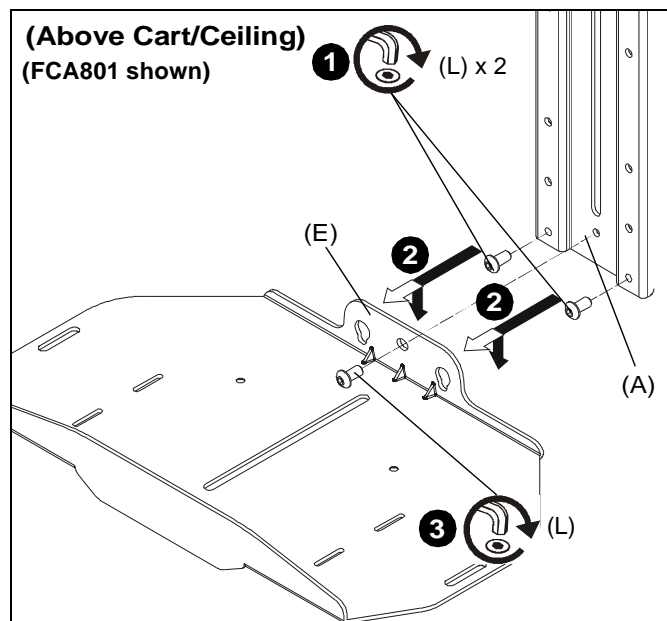


Figure 15

Attaching Shelf to Wall Mount

1. Use two 1/4-20 x 1/4" button head cap screws (M) and two large washers (H) to secure shelf bracket (C) to main bracket (B). (See Figure 16)



CAUTION: Slide bracket with caution so that the bracket does not scratch or damage the wall!

2. Slide main bracket (B) behind wall mount rails until shelf bracket (C) rests on top wall mount rail. (See Figure 16)

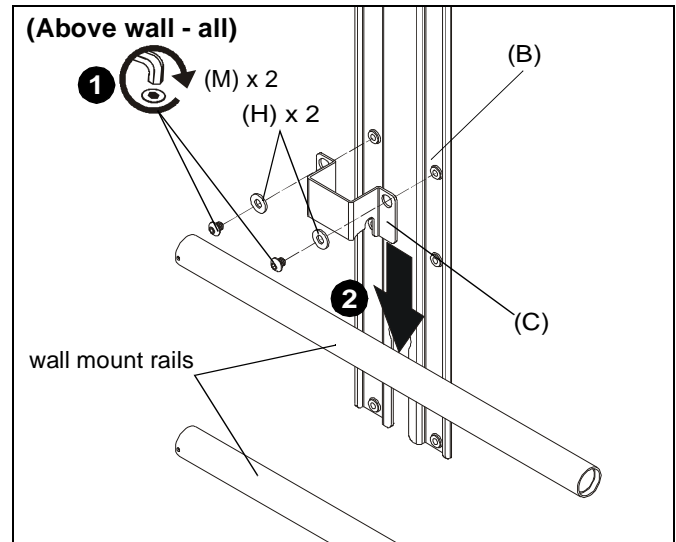


Figure 16

3. Slide second shelf bracket (C) underneath lower rail on wall mount, lining up holes on shelf bracket (C) to holes on main bracket (B). (See Figure 17)
4. Use two 1/4-20 x 1/4" button head cap screws (M) and two large washers (H) to secure shelf bracket (C) to main bracket (B). (See Figure 17)

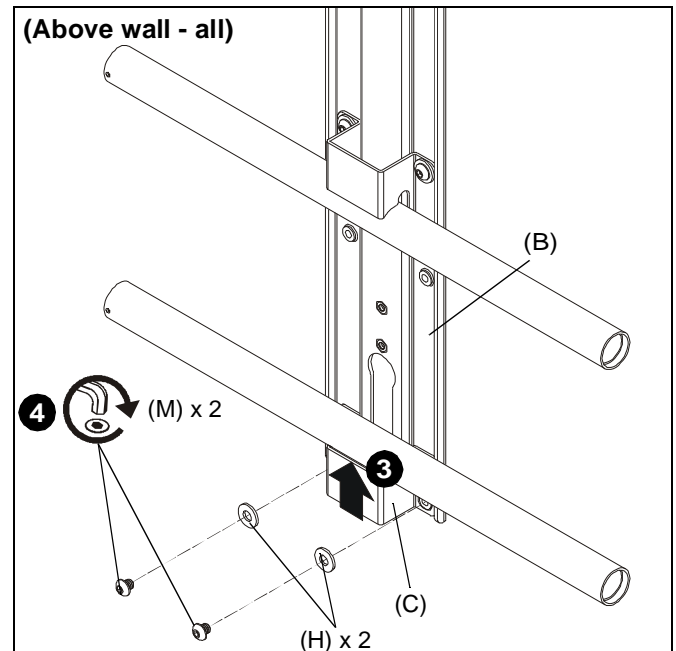


Figure 17

NOTE: Refer to Table 3 and dimension drawings on pages 3-6 to determine the extension level based on extension distance from mount center.

Table 3: Above Wall Mount

Extension distance from center of mount (in.)	
12.7-15.1	Minimum
15.1-17.6	Intermediate
17.6-19.1	Maximum

- (For **maximum extension**) Use #10-32 x 3/8" button head cap screw (P) and small washer (J) to secure adapter plate (V) to main bracket (B). (See Figure 18)
- (For **maximum extension**) Use two #10-24 lock nuts (G) to secure upright bracket (A) to main bracket (B) and adapter plate (V). (See Figure 18)

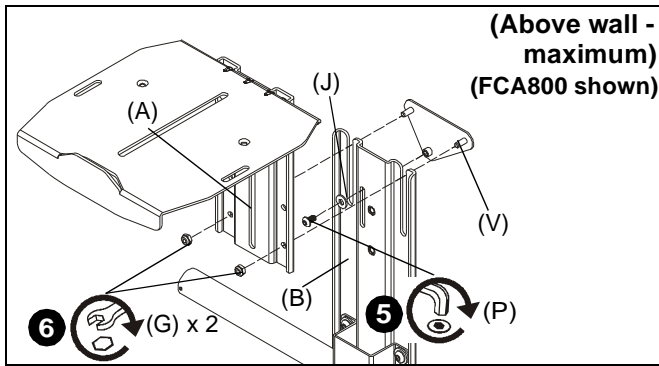


Figure 18

- (For **minimum/intermediate extension**) Use two #10-24 lock nuts (G) to secure upright bracket (A) to main bracket (B) and adapter plate (V). (See Figure 19)
- (For **minimum/intermediate extension**) Use 1/4-20 x 5/8" hex head flange bolt (N) and center washer (F) to secure upright bracket (A) to main bracket (B). (See Figure 19)

NOTE: Minimum configuration is shown below. Several intermediate configurations are possible depending on which holes are used.

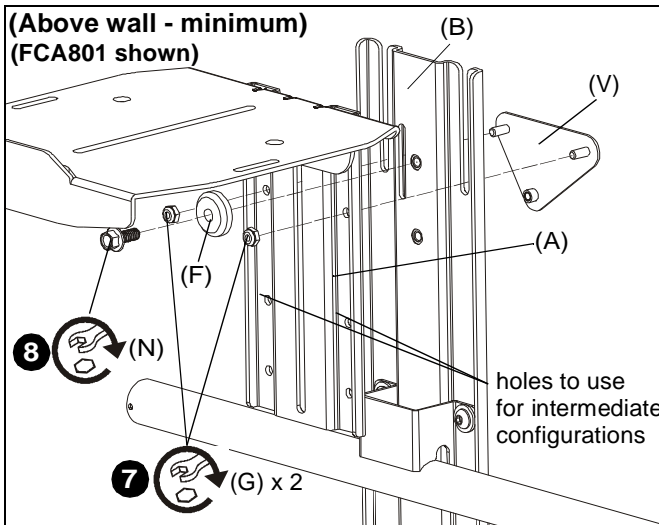


Figure 19

Attaching Shelf to Cart/Ceiling Mount

IMPORTANT ! : If installing to a 2x1 display cart using the FCA623 accessory, proceed to "Installing to FCA623 Accessory" Section (Step 6).

- Use two 1/4-20 x 1/4" button head cap screws (M) and two large washers (H) to secure shelf bracket (C) to main bracket (B). (See Figure 20)
- Slide main bracket (B) onto front of cart/ceiling mount head assembly until shelf bracket (C) rests on top of head assembly. (See Figure 20)

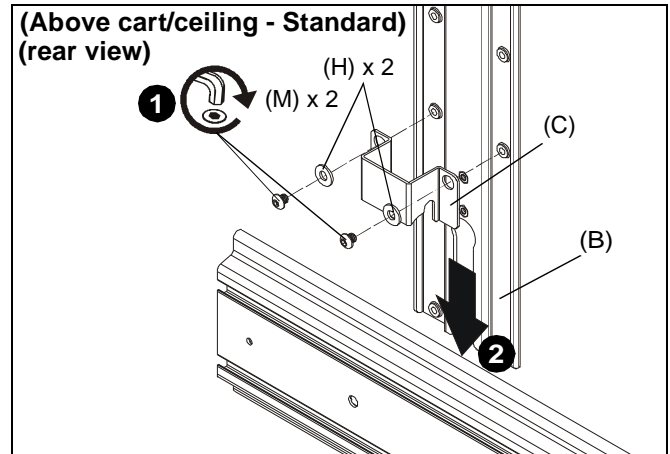


Figure 20

- Slide second shelf bracket (C) underneath head assembly, lining up holes on shelf bracket (C) to holes on main bracket (B). (See Figure 21)
- Use two 1/4-20 x 1/4" button head cap screws (M) and two large washers (H) to secure shelf bracket (C) to main bracket (B). (See Figure 21)

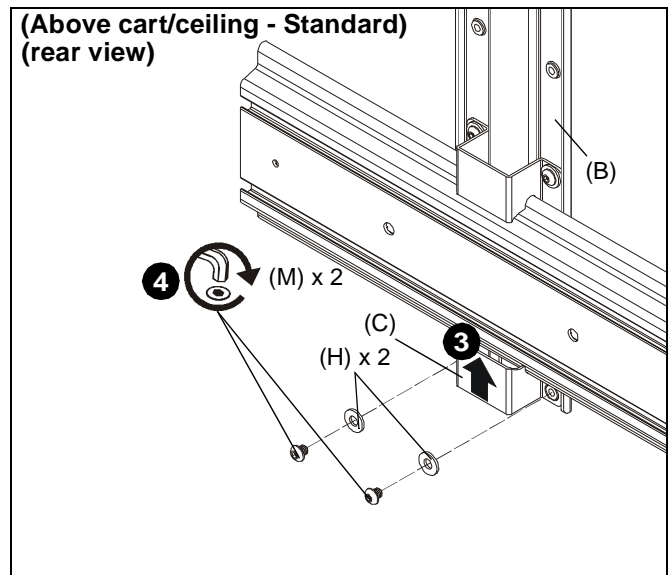


Figure 21

- Proceed to Step 11.

Installing to FCA623 Accessory

NOTE: Steps 6-10 only apply if installing to FCA623 accessory.

6. Use two 1/4-20 x 7/16" button head cap screws (R), two large washers (H) and two 1/2" spacers (U) to secure shelf bracket (C) to main bracket (B). (See Figure 22)
7. Slide main bracket (B) onto front of cart mount head assembly until shelf bracket (C) rests on top of head assembly. (See Figure 22)

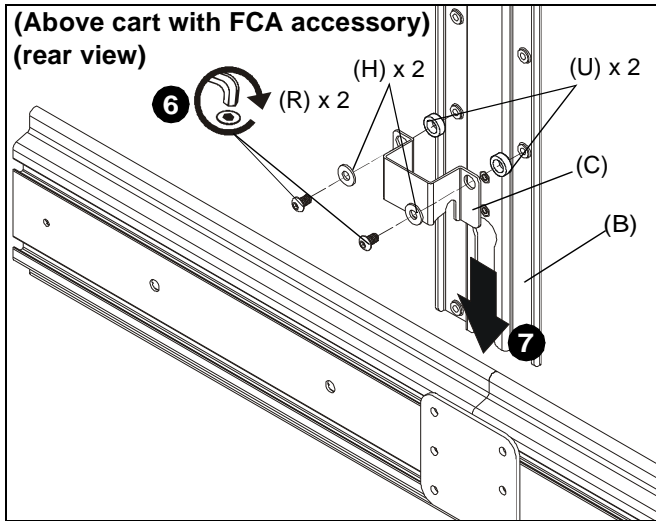


Figure 22

8. Slide second shelf bracket (C) underneath head assembly, lining up holes on shelf bracket (C) to holes on main bracket (B). (See Figure 23)
9. Slide two 1/2" spacers (U) in between shelf bracket (C) and main bracket (B). (See Figure 23)
10. Use two 1/4-20 x 1/2" button head cap screws (R) and two large washers (H) to secure shelf bracket (C) to main bracket (B). (See Figure 23)

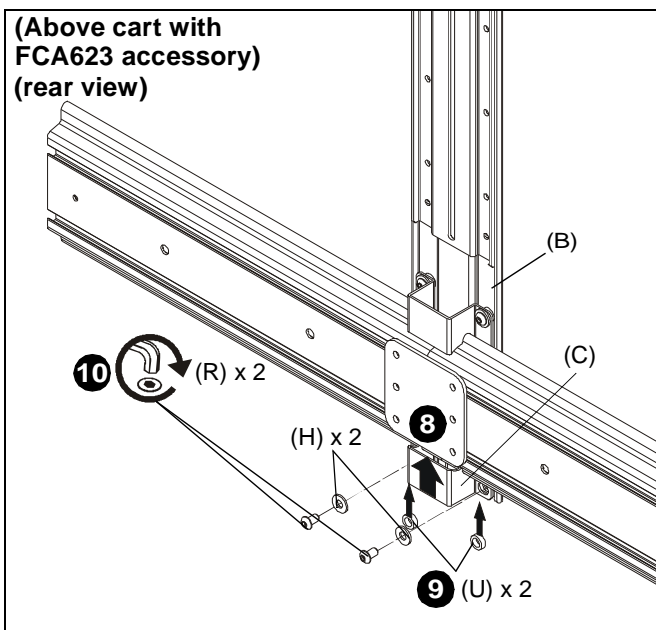


Figure 23

NOTE: Refer to Table 4 and dimension drawings on pages 3-6 to determine the extension level based on extension distance from mount center.

Table 4: Above Cart/Ceiling

Extension distance from center of mount (in.)	
12.2-14.2	Minimum
14.2-16.7	Intermediate
16.7-19.2	Maximum

11. (For maximum/intermediate extension) Use two #10-24 lock nuts (G) to secure upright bracket (A) to main bracket (B) and adapter plate (V). (See Figure 24)

NOTE: Maximum configuration is shown below. Several intermediate configurations are possible depending on which holes are used.

12. (For maximum/intermediate extension) Use 1/4-20 x 5/8" hex head flange bolt (N) and center washer (F) to secure upright bracket (A) to main bracket (B). (See Figure 24)

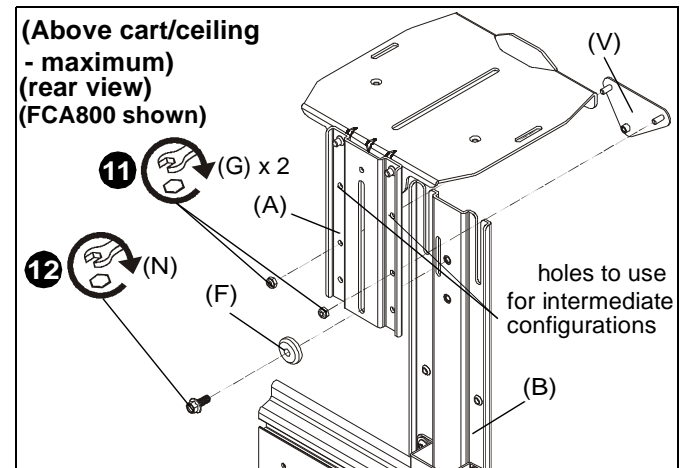


Figure 24

13. (For minimum extension) Slide upright bracket (A) behind main bracket (B). (See Figure 25)

14. (For minimum extension) Use 1/4-20 x 5/8" hex head flange bolt (N) and center washer (F) to secure upright bracket (A) to main bracket (B). (See Figure 25)

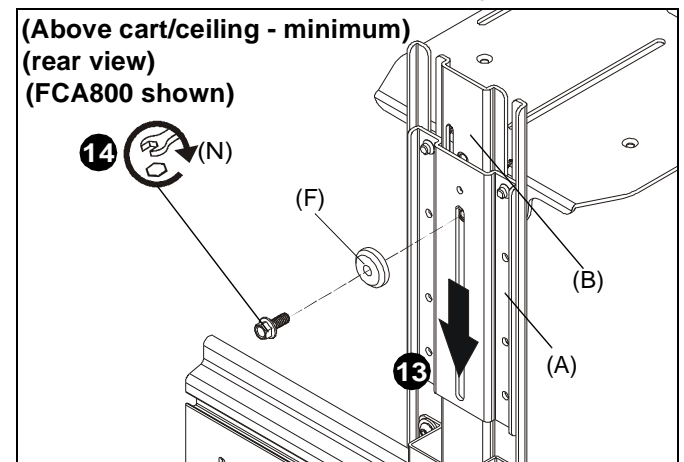


Figure 25

Height Adjustment

1. Loosen hardware used to attach main bracket (B) to upright bracket (A). (See Figure 26)
2. Adjust shelf height as desired. (See Figure 26)

NOTE: For all above display installations, it is recommended that the shelf be positioned so that it rests on top of display to help ensure an even mount.

3. Tighten hardware used to attached main bracket (B) to upright bracket (A). (See Figure 26)

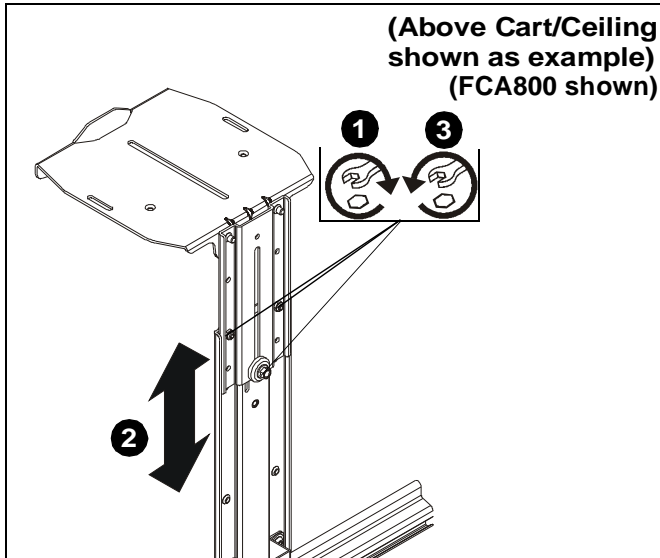


Figure 26

2. (Single Screw option) Install 1/4-20 x 3/8" Phillips pan machine screw (Q) through mounting slot on shelf and into hole on bottom of camera. (See Figure 27)
3. (Multiple screw option - FCA801 only) Install four #4-48 x 1/4" Phillips pan machine screws (W) through outside mounting slots and into holes on bottom of camera. (See Figure 28)
4. Route cable from camera towards back of shelf and down behind the FCA800/801. (See Figure 27) and (See Figure 28)

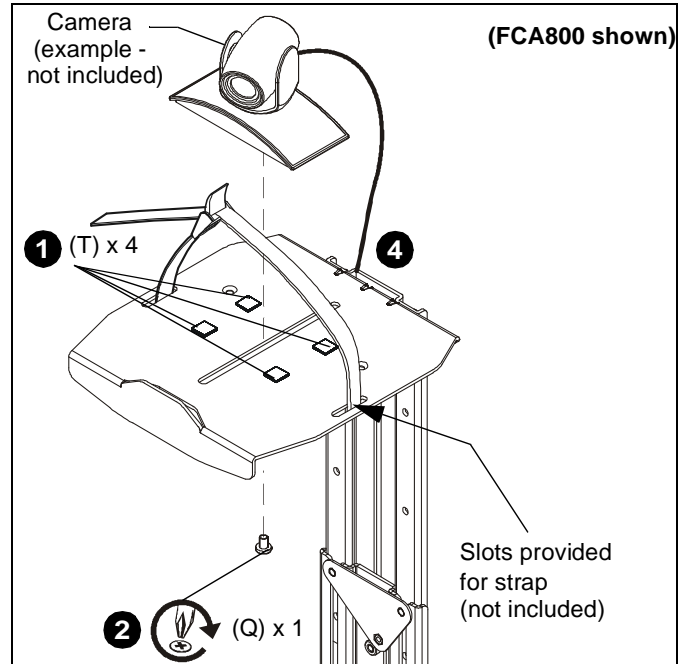


Figure 27

Installing Camera (not included)

WARNING: Exceeding the weight capacity can result in serious personal injury or damage to equipment! It is the installer's responsibility to make sure the combined weight mounted on the FCA800/801 does not exceed 10 lbs (4.5 kg).

WARNING: Camera must be secured to FCA800/801 shelf using either adhesive hook and loop squares (T) or screws (Q or W)! Failure to securely mount camera to shelf may result in serious personal injury or damage to equipment!

NOTE: OPTIONAL: Slots are provided in shelf for strap (not included) to hold camera in place. (See Figure 27)

Using Adhesive Squares

1. Use up to eight adhesive hook and loop squares (T) to secure camera to shelf. Attach adhesive squares to bottom of camera first and then attach corresponding squares to shelf when the exact mounting location has been determined.

Using Screw(s)

NOTE: Screw mounting options will vary based upon camera model.

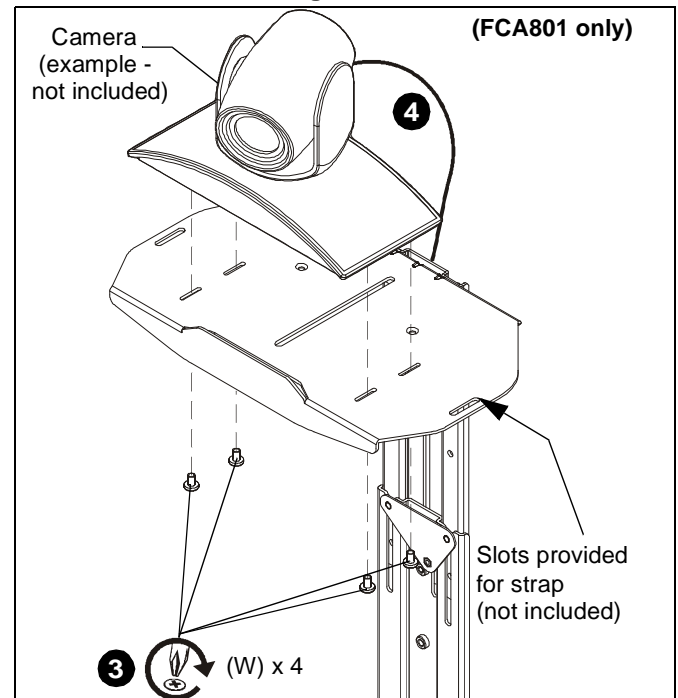


Figure 28



Our Mounts. **Your Vision.**

Chief, a products division of
Milestone AV Technologies

8800-002652 Rev01
©2015 Milestone AV Technologies
www.chiefmfg.com
10/15

USA/International	A 6436 City West Parkway, Eden Prairie, MN 55344
	P 800.582.6480 / 952.225.6000
	F 877.894.6918 / 952.894.6918
Europe	A Franklinstraat 14, 6003 DK Weert, Netherlands
	P +31 (0) 495 580 852
	F +31 (0) 495 580 845
Asia Pacific	A Office No. 918 on 9/F, Shatin Galleria 18-24 Shan Mei Street Fotan, Shatin, Hong Kong
	P 852 2145 4099
	F 852 2145 4477

