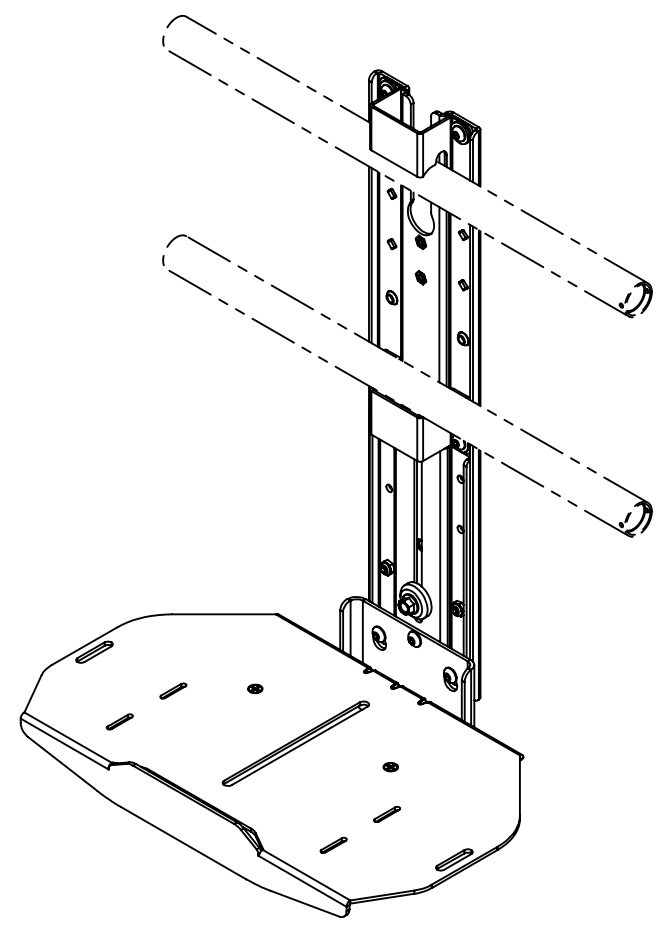
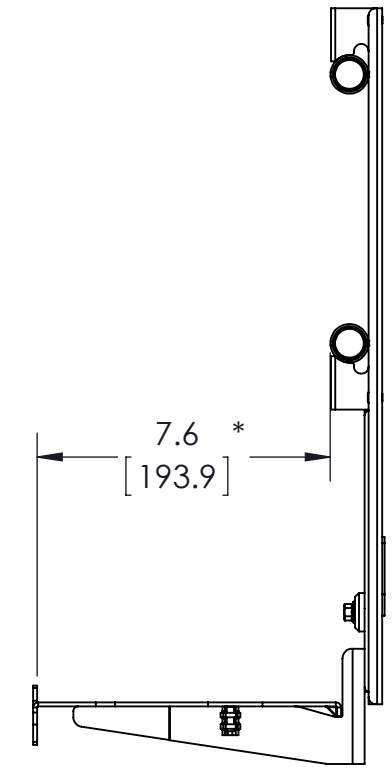
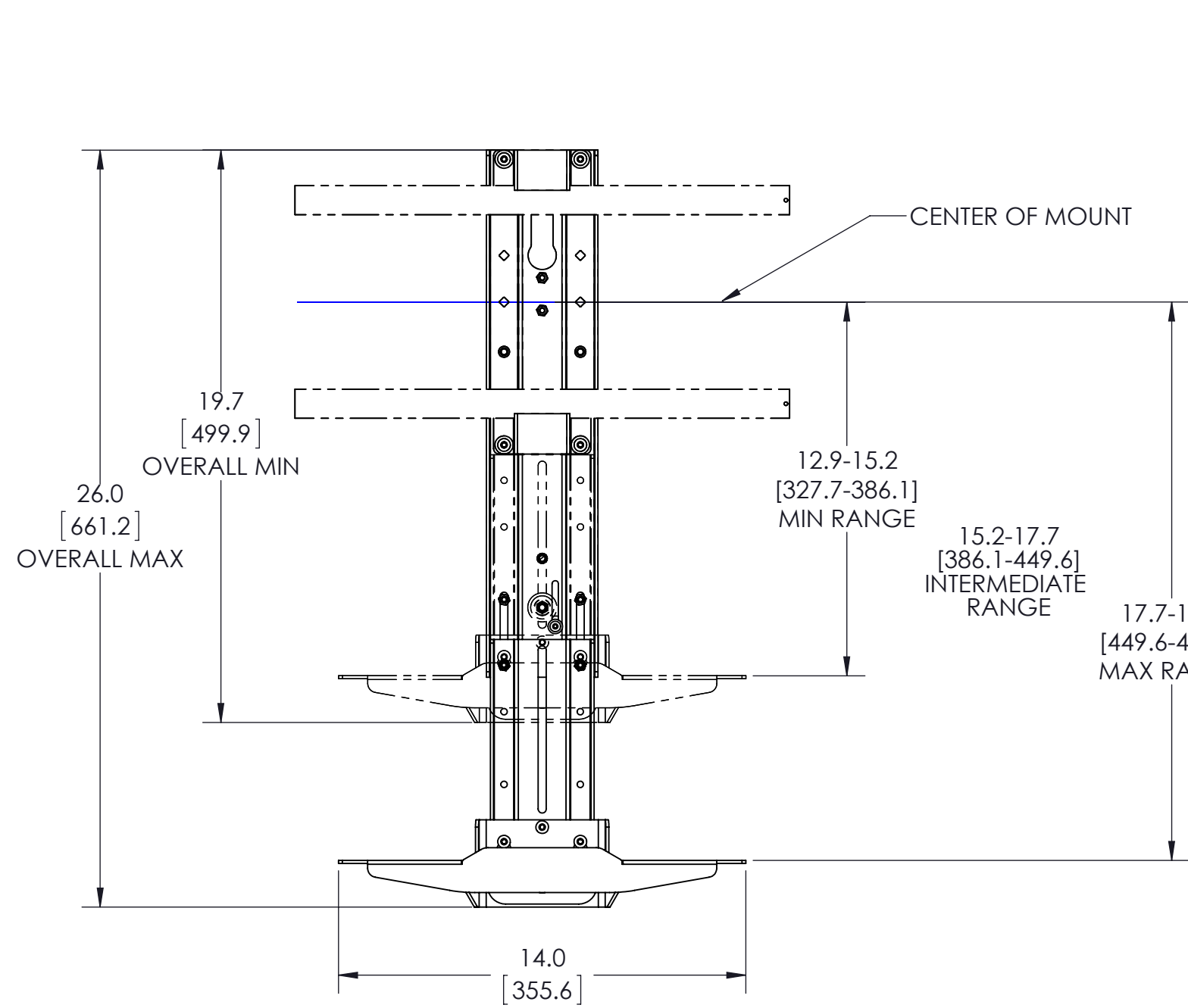


FUSION WALL BELOW MOUNT SETUP



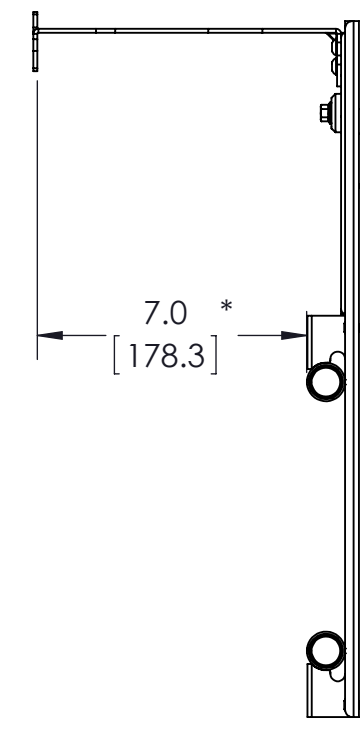
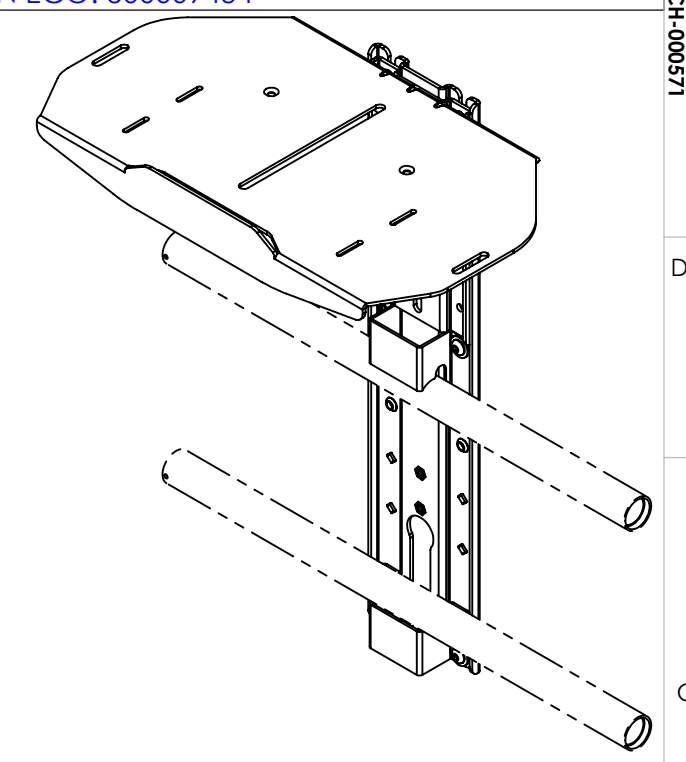
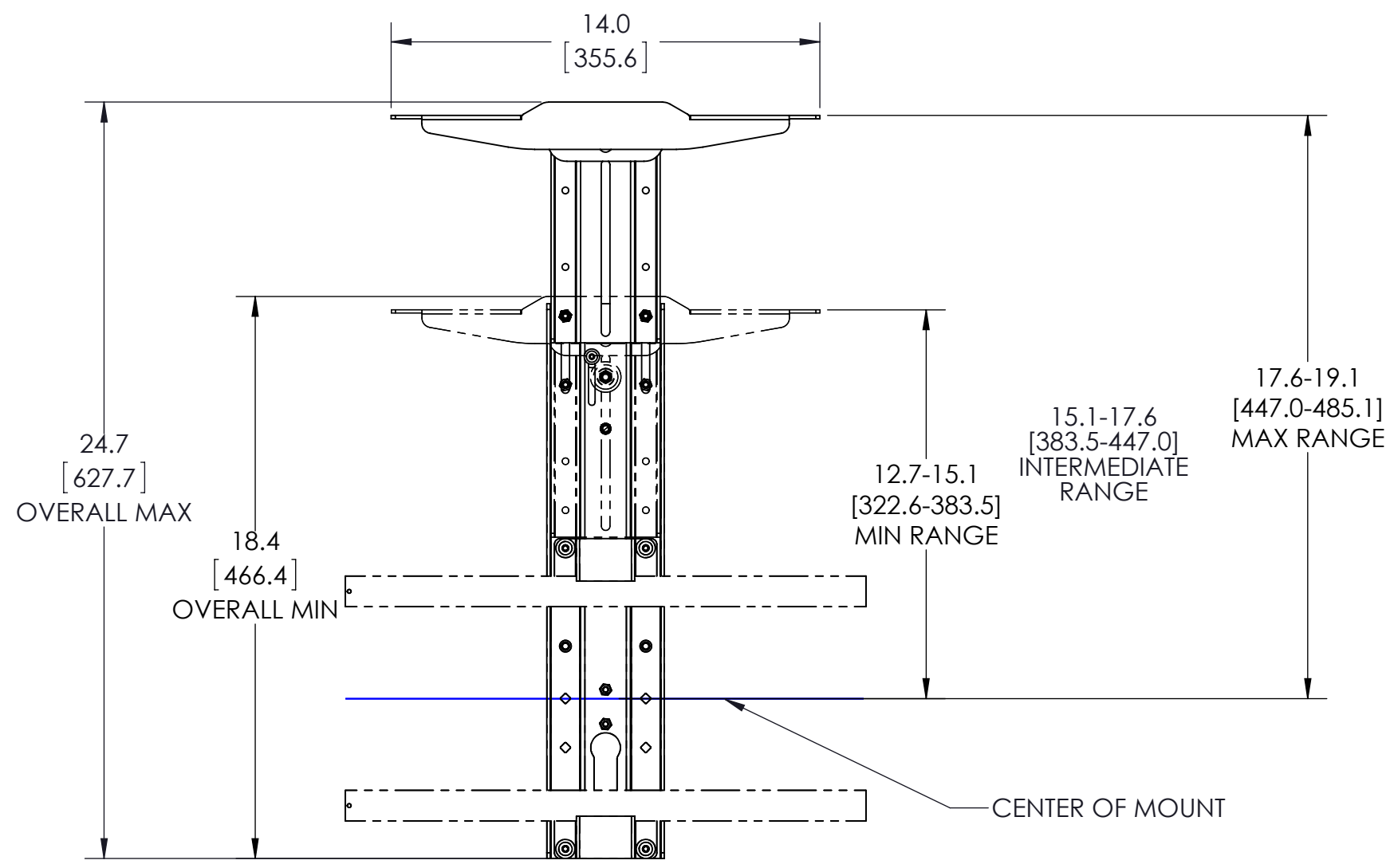
(*):NOTES:

- TYPICAL FUSION INTERFACES ARE 0.625" [15.9] DEEP

THE INFORMATION AND DESIGNS CONTAINED IN THIS DRAWING ARE CONFIDENTIAL AND THE PROPRIETARY PROPERTY OF MILESTONE AV TECHNOLOGIES NEITHER THIS DESIGN NOR ANY INFORMATION CONTAINED IN THIS DRAWING MAY BE REPRODUCED OR DISCLOSED TO OTHERS WITHOUT THE EXPRESS WRITTEN CONSENT OF MILESTONE AV TECHNOLOGIES.

CAD GENERATED DRAWING, DO NOT MANUALLY UPDATE.			CHIEF		6436 CITY WEST PKWY EDEN PRAIRIE MN, 55344 PHONE: 866-977-3901 FAX: 877-894-6918	
DRAWN BY	JF	9/3/2014	DESCRIPTION FUSION LARGE ABOVE/BELOW SHELF - 14"			
ENG APPROVAL			MODEL NO. FCA801			
MFG APPROVAL			SIZE	DWG. NO.	REV.	
QA APPROVAL			B	TECH-000571	00	
SHEET 1 OF 4			SCALE			
			1:5			

FUSION WALL ABOVE MOUNT SETUP



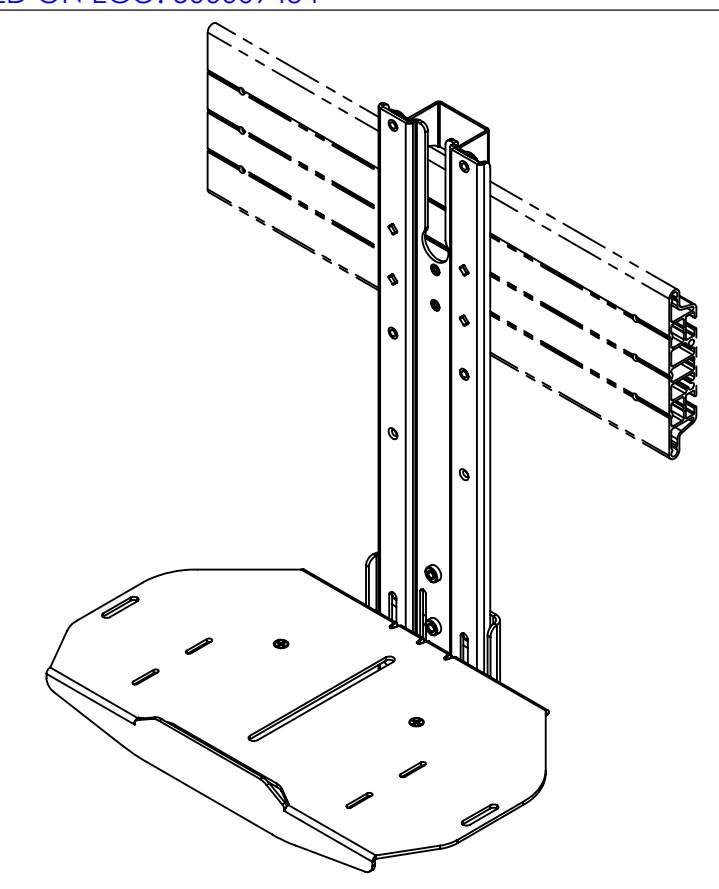
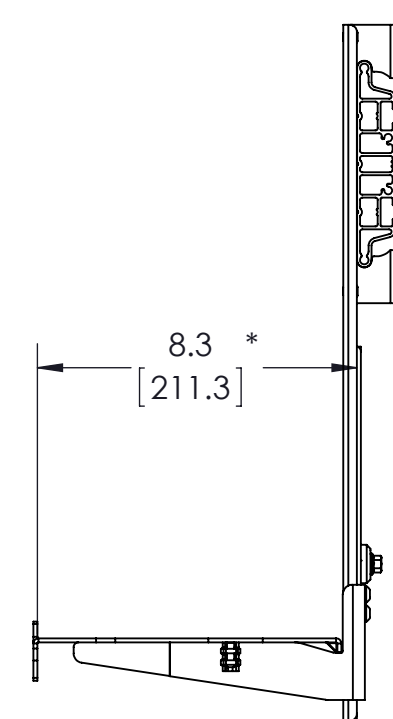
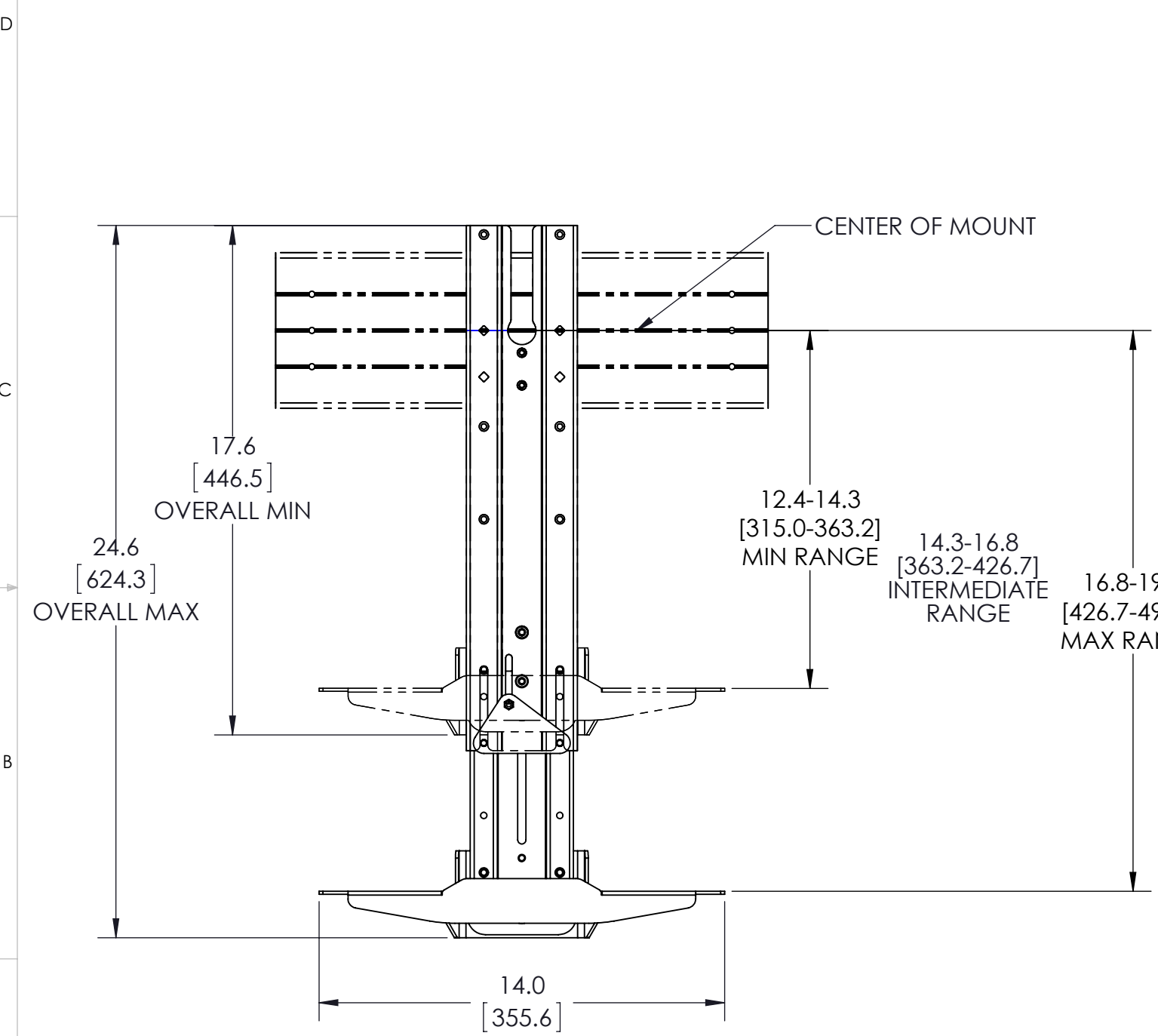
(*)NOTES:

- TYPICAL FUSION INTERFACES ARE 0.625" [15.9] DEEP

THE INFORMATION AND DESIGNS CONTAINED IN THIS DRAWING ARE CONFIDENTIAL AND THE PROPRIETARY PROPERTY OF MILESTONE AV TECHNOLOGIES NEITHER THIS DESIGN NOR ANY INFORMATION CONTAINED IN THIS DRAWING MAY BE REPRODUCED OR DISCLOSED TO OTHERS WITHOUT THE EXPRESS WRITTEN CONSENT OF MILESTONE AV TECHNOLOGIES.

CAD GENERATED DRAWING, DO NOT MANUALLY UPDATE.			CHIEF		6436 CITY WEST PKWY EDEN PRAIRIE MN, 55344 PHONE: 866-977-3901 FAX: 877-894-6918
DRAWN BY	JF	9/3/2014	DESCRIPTION FUSION LARGE ABOVE/BELOW SHELF - 14"		
ENG APPROVAL			MODEL NO. FCA801		
MFG APPROVAL			SCALE	SIZE	DWG. NO.
QA APPROVAL			1:5	B	TECH-000571
SHEET 2 OF 4			REV.	00	

FUSION CEILING/CART BELOW MOUNT SETUP



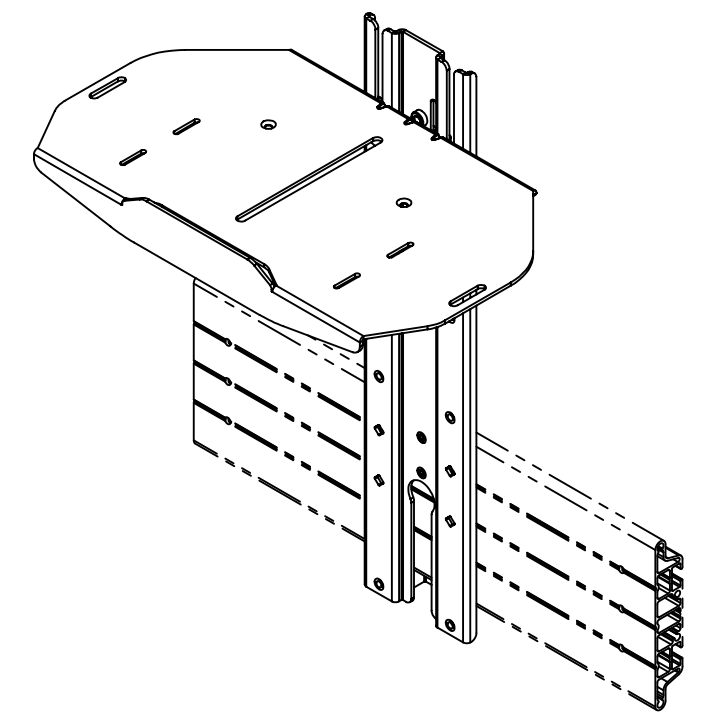
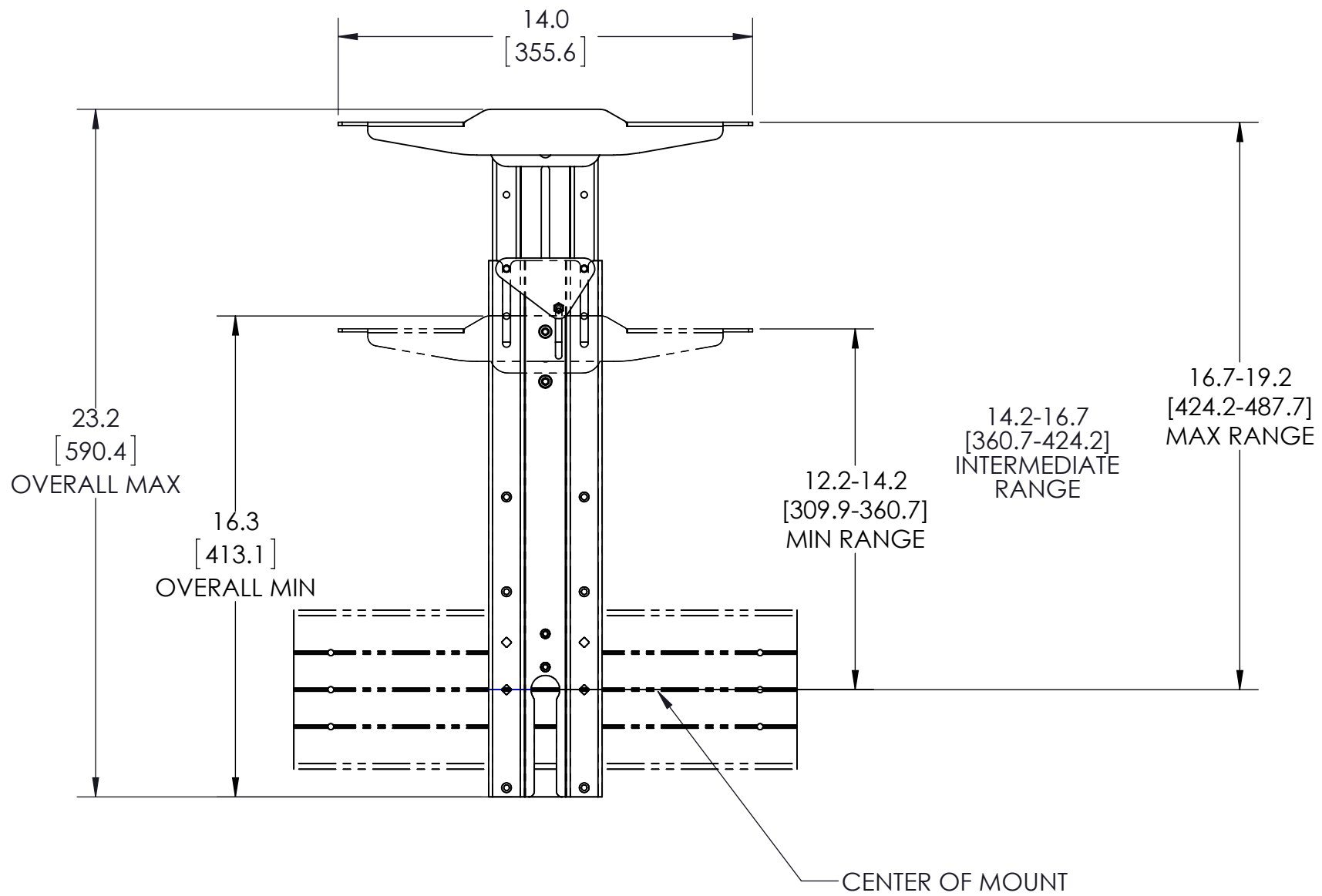
(*)NOTES:

- TYPICAL SINGLE DISPLAY MODELS HAVE INTERFACE DEPTHS .5" [12.7]
- TYPICAL DUAL DISPLAY MODELS HAVE INTERFACE DEPTHS 1.9" [48.3]
- FCA623 DUAL MONITOR INTERFACES ARE 1.4" DEEP [35.6]

THE INFORMATION AND DESIGNS CONTAINED IN THIS DRAWING ARE CONFIDENTIAL AND THE PROPRIETARY PROPERTY OF MILESTONE AV TECHNOLOGIES NEITHER THIS DESIGN NOR ANY INFORMATION CONTAINED IN THIS DRAWING MAY BE REPRODUCED OR DISCLOSED TO OTHERS WITHOUT THE EXPRESS WRITTEN CONSENT OF MILESTONE AV TECHNOLOGIES.

CAD GENERATED DRAWING, DO NOT MANUALLY UPDATE.			CHIEF		6436 CITY WEST PKWY EDEN PRAIRIE MN, 55344 PHONE: 866-977-3901 FAX: 877-894-6918
DRAWN BY	JF	9/3/2014	DESCRIPTION FUSION LARGE ABOVE/BELOW SHELF - 14"		
ENG APPROVAL			MODEL NO. FCA801		
MFG APPROVAL			SIZE	DWG. NO.	REV.
QA APPROVAL			B	TECH-000571	00
SHEET 3 OF 4		SCALE			
		1:5			

FUSION CEILING/CART ABOVE MOUNT SETUP



(*)NOTES:

- TYPICAL SINGLE DISPLAY MODELS HAVE INTERFACE DEPTHS .5" [12.7]
- TYPICAL DUAL DISPLAY MODELS HAVE INTERFACE DEPTHS 1.9" [48.3]
- FCA623 DUAL MONITOR INTERFACES ARE 1.4" DEEP [35.6]

<p>THE INFORMATION AND DESIGNS CONTAINED IN THIS DRAWING ARE CONFIDENTIAL AND THE PROPRIETARY PROPERTY OF MILESTONE AV TECHNOLOGIES NEITHER THIS DESIGN NOR ANY INFORMATION CONTAINED IN THIS DRAWING MAY BE REPRODUCED OR DISCLOSED TO OTHERS WITHOUT THE EXPRESS WRITTEN CONSENT OF MILESTONE AV TECHNOLOGIES.</p>		CAD GENERATED DRAWING, DO NOT MANUALLY UPDATE.		<p>6436 CITY WEST PKWY EDEN PRAIRIE MN, 55344 PHONE: 866-977-3901 FAX: 877-894-6918</p>		
		DRAWN BY	JF		9/3/2014	
		ENG APPROVAL			DESCRIPTION	FUSION LARGE ABOVE/BELOW SHELF - 14"
		MFG APPROVAL			MODEL NO.	FCA801
QA APPROVAL			SCALE	1:5		
SHEET 4 OF 4		SIZE	B	DWG. NO.	TECH-000571	
		REV.			00	