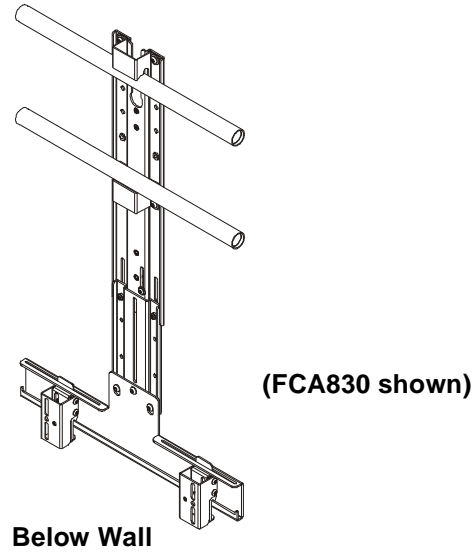
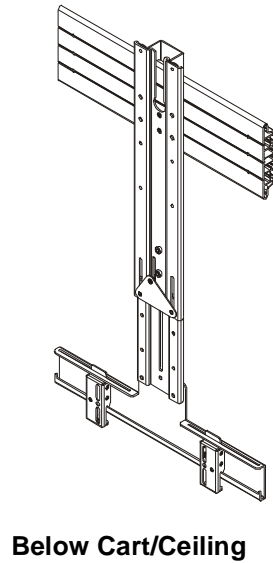

INSTALLATION INSTRUCTIONS



Fusion™ Below Speaker Shelf

DISCLAIMER

Milestone AV Technologies and its affiliated corporations and subsidiaries (collectively "Milestone"), intend to make this manual accurate and complete. However, Milestone makes no claim that the information contained herein covers all details, conditions or variations, nor does it provide for every possible contingency in connection with the installation or use of this product. The information contained in this document is subject to change without notice or obligation of any kind. Milestone makes no representation of warranty, expressed or implied, regarding the information contained herein. Milestone assumes no responsibility for accuracy, completeness or sufficiency of the information contained in this document.

Chief® is a registered trademark of Milestone AV Technologies. All rights reserved.

DEFINITIONS

MOUNTING SYSTEM: A MOUNTING SYSTEM is the primary Chief product to which an accessory and/or component is attached.

ACCESSORY: AN ACCESSORY is the secondary Chief product which is attached to a primary Chief product, and may have a component attached or setting on it.

COMPONENT: A COMPONENT is an audiovisual item designed to be attached or resting on an accessory or mounting system such as a video camera, CPU, screen, display, projector, etc.



WARNING: A WARNING alerts you to the possibility of serious injury or death if you do not follow the instructions.



CAUTION: A CAUTION alerts you to the possibility of damage or destruction of equipment if you do not follow the corresponding instructions.



IMPORTANT SAFETY INSTRUCTIONS



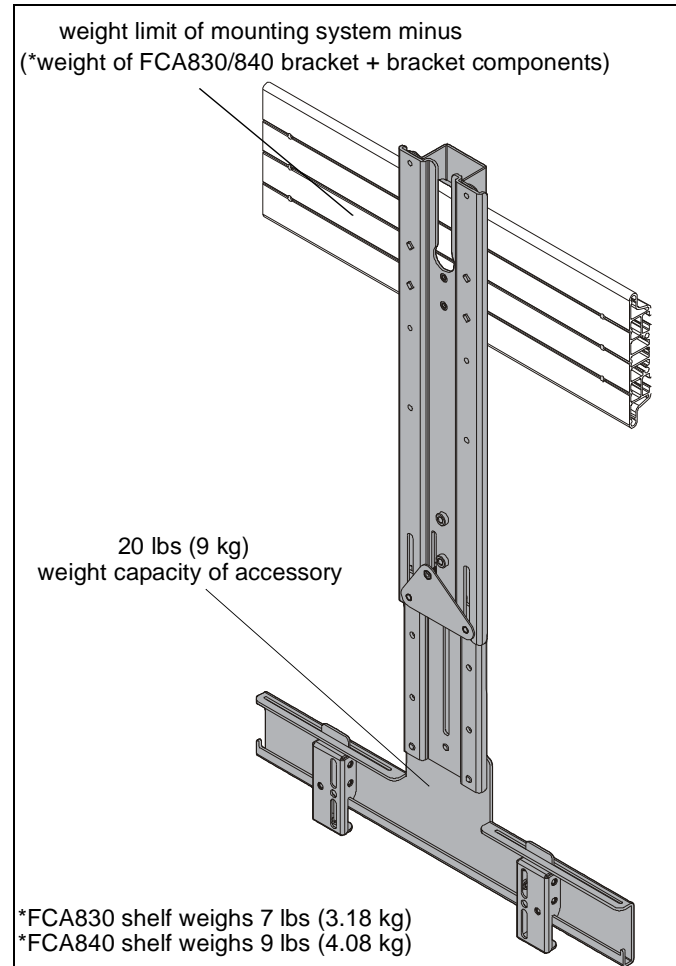
WARNING: Failure to read, thoroughly understand, and follow all instructions can result in serious personal injury, damage to equipment, or voiding of factory warranty! It is the installer's responsibility to make sure all components are properly assembled and installed using the instructions provided.



WARNING: Exceeding the weight capacity can result in serious personal injury or damage to equipment! It is the installer's responsibility to make sure the weight mounted to the FCA830/840 bracket does not exceed 20 lbs (9 kg).



WARNING: Use of this accessory will decrease the weight capacity of the mount to which it is attached by the combined weight of the accessory and all components supported by this accessory! See Figure below for reference.



WARNING: Use this accessory only for its intended use as described in these instructions. Do not use attachments not recommended by the manufacturer.



WARNING: Never operate this accessory if it is damaged. Return the accessory to a service center for examination and repair.



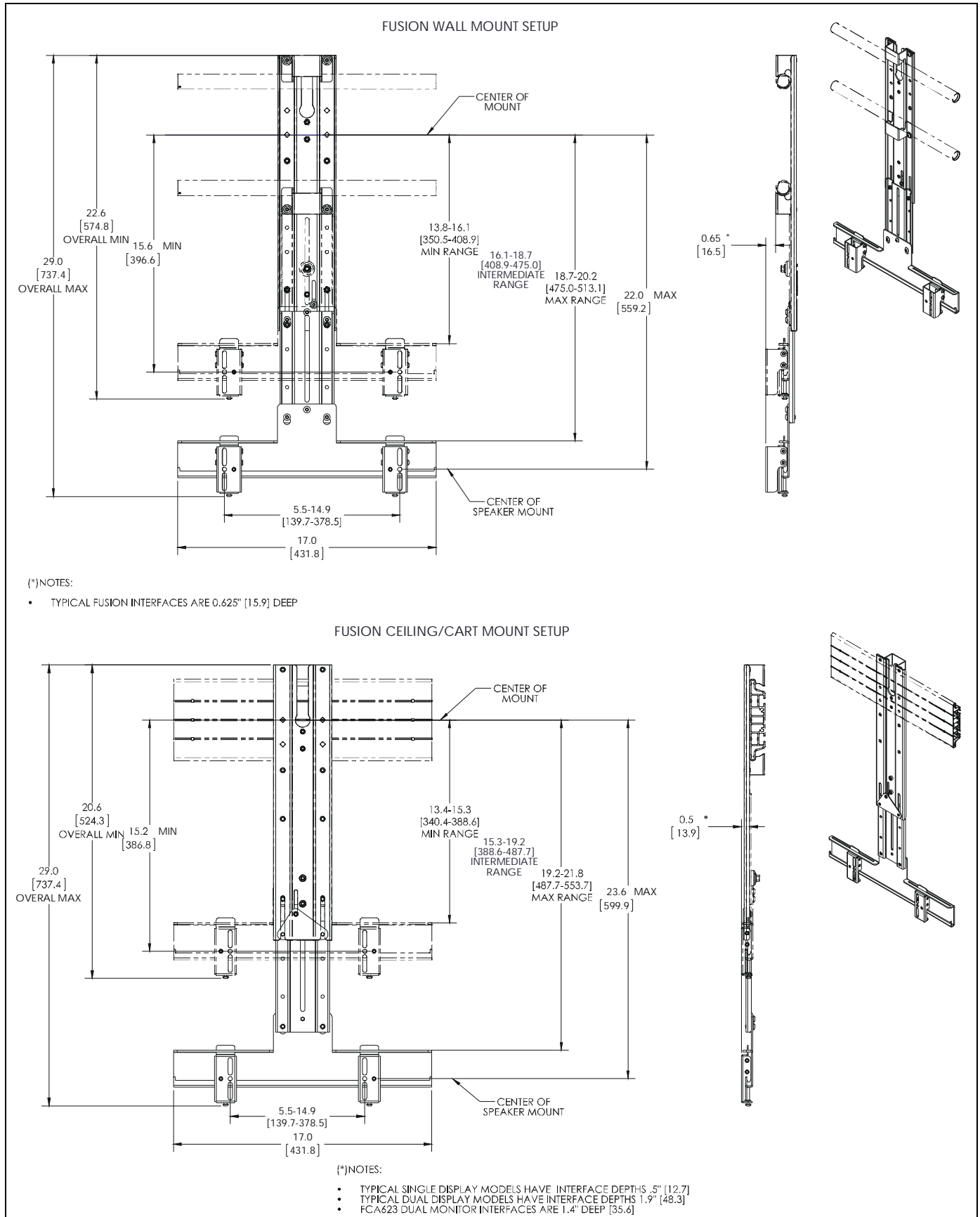
WARNING: Do not use this product outdoors.



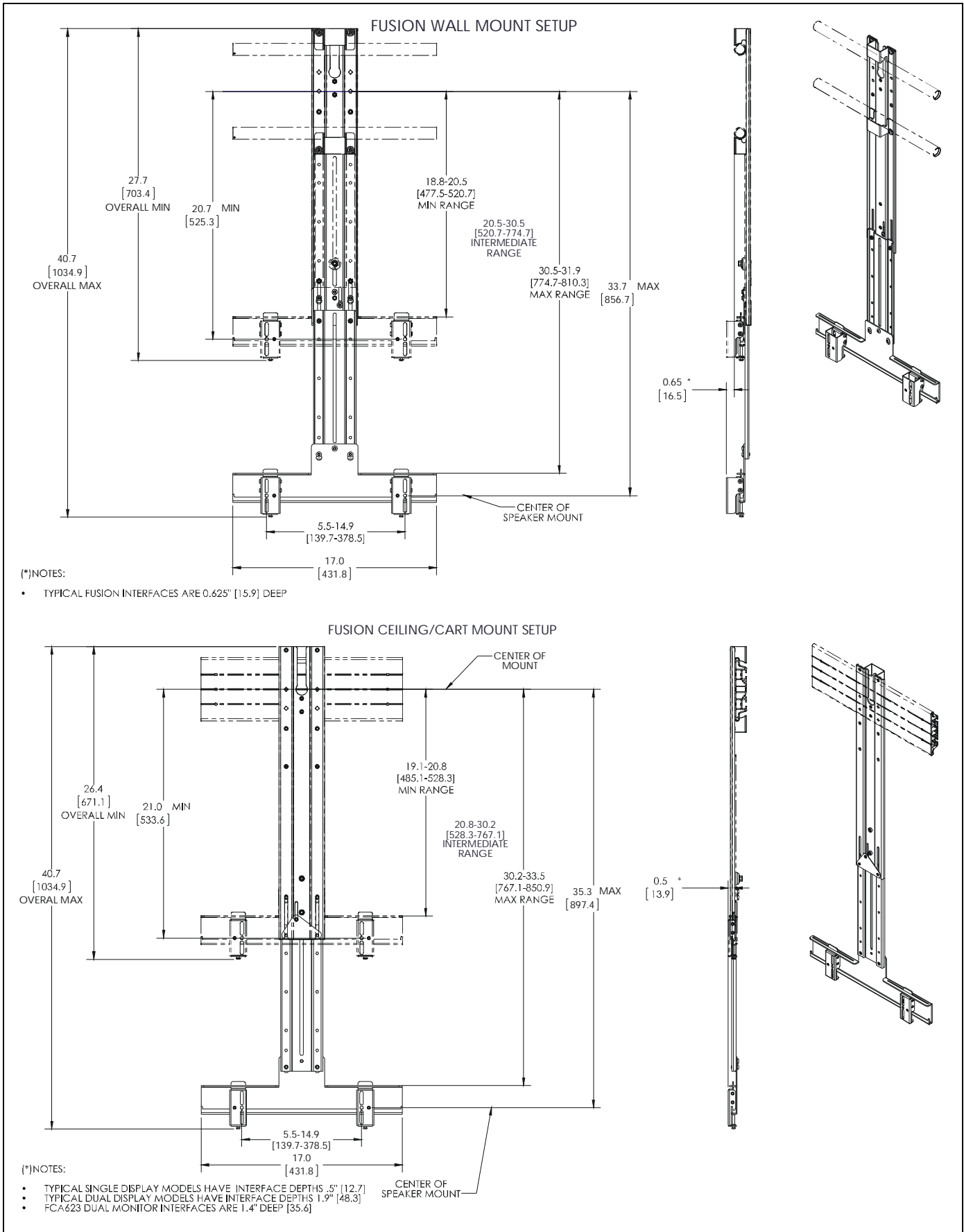
WARNING: RISK OF INJURY TO PERSONS! Do not use this accessory to support video equipment such as televisions or computer monitors.

--SAVE THESE INSTRUCTIONS--

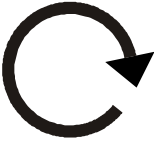

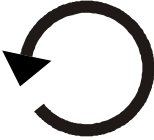









DIMENSIONS - FCA830



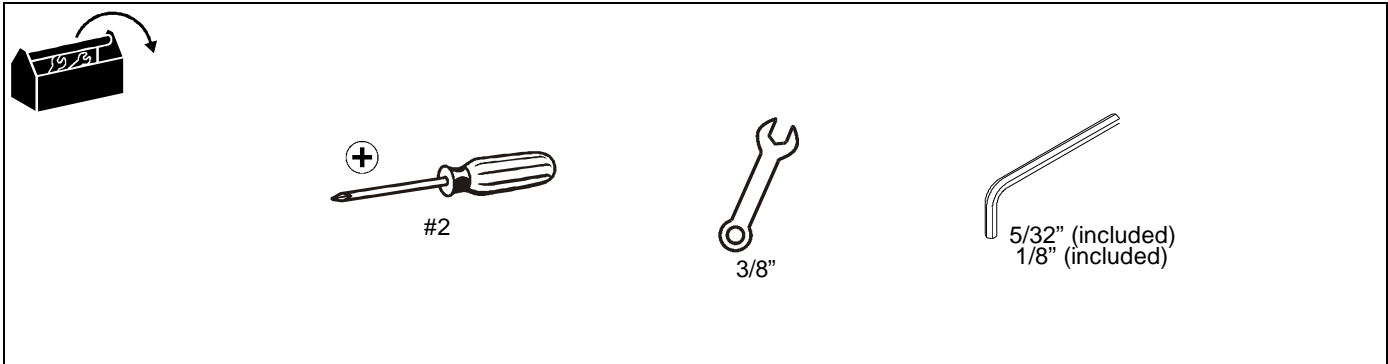
DIMENSIONS - FCA840



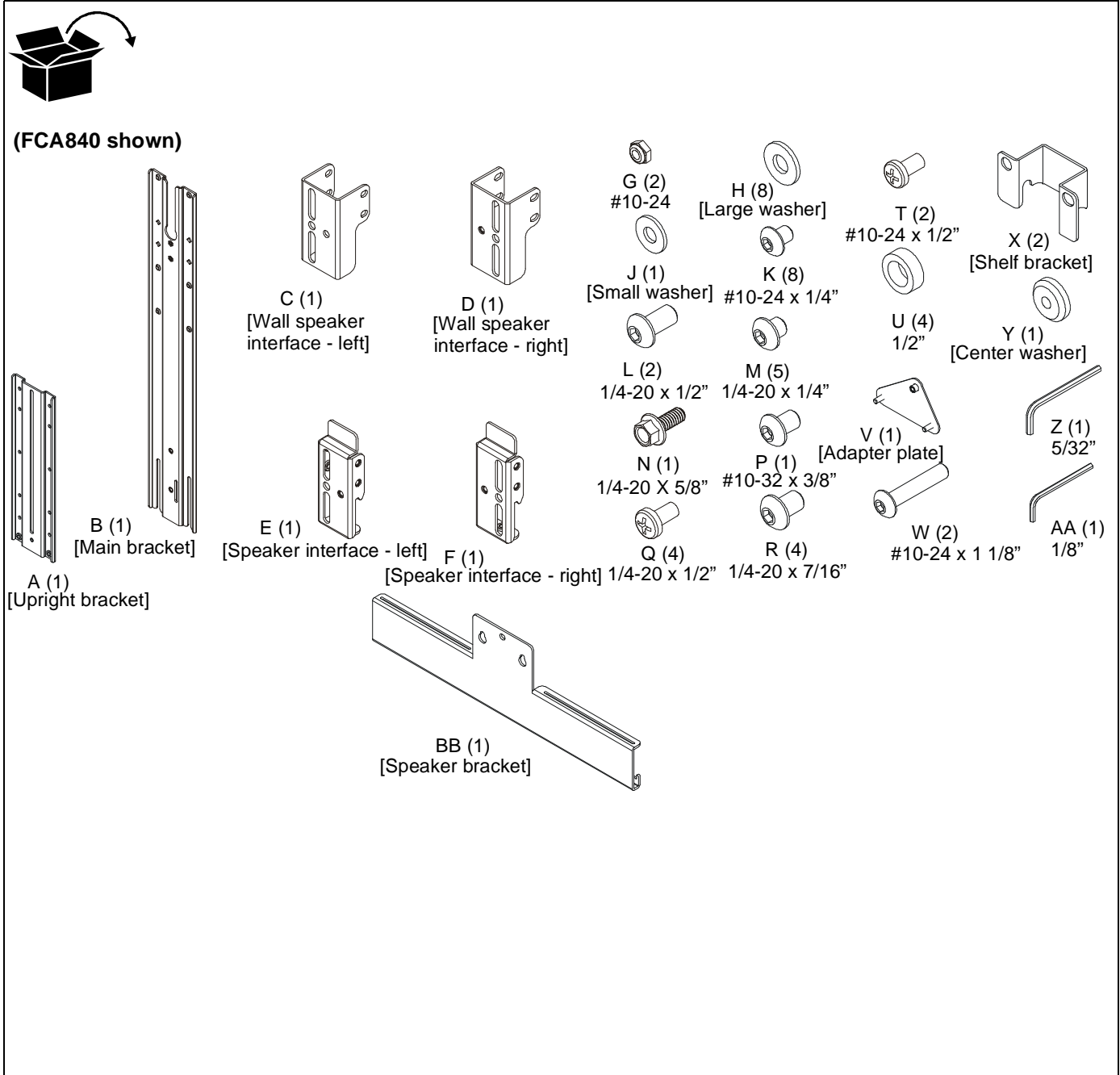
LEGEND

	<p>Tighten Fastener</p> <p>Apretar elemento de fijación</p> <p>Befestigungsteil festziehen</p> <p>Apertar fixador</p> <p>Serrare il fissaggio</p> <p>Bevestiging vastdraaien</p> <p>Serrez les fixations</p>		<p>Pencil Mark</p> <p>Marcar con lápiz</p> <p>Stiftmarkierung</p> <p>Marcar com lápis</p> <p>Segno a matita</p> <p>Potloodmerkteken</p> <p>Marquage au crayon</p>
	<p>Loosen Fastener</p> <p>Aflojar elemento de fijación</p> <p>Befestigungsteil lösen</p> <p>Desapertar fixador</p> <p>Allentare il fissaggio</p> <p>Bevestiging losdraaien</p> <p>Desserrez les fixations</p>		<p>Drill Hole</p> <p>Perforar</p> <p>Bohrloch</p> <p>Fazer furo</p> <p>Praticare un foro</p> <p>Gat boren</p> <p>Percez un trou</p>
	<p>Phillips Screwdriver</p> <p>Destornillador Phillips</p> <p>Kreuzschlitzschraubendreher</p> <p>Chave de fendas Phillips</p> <p>Cacciavite a stella</p> <p>Kruiskopschroevendraaier</p> <p>Tournevis à pointe cruciforme</p>		<p>Adjust</p> <p>Ajustar</p> <p>Einstellen</p> <p>Ajustar</p> <p>Regolare</p> <p>Afstellen</p> <p>Ajuster</p>
	<p>Open-Ended Wrench</p> <p>Llave de boca</p> <p>Gabelschlüssel</p> <p>Chave de bocas</p> <p>Chiave a punte aperte</p> <p>Steeksleutel</p> <p>Clé à fourche</p>		<p>Remove</p> <p>Quitar</p> <p>Entfernen</p> <p>Remover</p> <p>Rimuovere</p> <p>Verwijderen</p> <p>Retirez</p>
	<p>By Hand</p> <p>A mano</p> <p>Von Hand</p> <p>Com a mão</p> <p>A mano</p> <p>Met de hand</p> <p>À la main</p>		<p>Optional</p> <p>Opcional</p> <p>Optional</p> <p>Opcional</p> <p>Opzionale</p> <p>Optie</p> <p>En option</p>
	<p>Hex-Head Wrench</p> <p>Llave de cabeza hexagonal</p> <p>Sechskantschlüssel</p> <p>Chave de cabeça sextavada</p> <p>Chiave esagonale</p> <p>Zeskantsleutel</p> <p>Clé à tête hexagonale</p>		<p>Security Wrench</p> <p>Llave de seguridad</p> <p>Sicherheitsschlüssel</p> <p>Chave de segurança</p> <p>Chiave di sicurezza</p> <p>Veiligheidsleutel</p> <p>Clé de sécurité</p>

TOOLS REQUIRED FOR INSTALLATION



PARTS



ASSEMBLY AND INSTALLATION

Attaching Speaker Bracket to Upright Bracket

1. Install two 1/4-20 x 1/2" button head cap screws (L) into lowest holes on upright bracket (A). (See Figure 1) or (See Figure 2)

IMPORTANT ! : Refer to Figure 3 if installing to a wall mount or Figure 4 if installing to a cart/ceiling mount.

2. Hang speaker bracket (BB) onto two screws installed in Step 1. (See Figure 1) or (See Figure 2)
3. Use one 1/4-20 x 1/4" button head cap screw (M) to secure upright bracket (A) to speaker bracket (BB). (See Figure 1) or (See Figure 2)
4. Tighten all three screws to ensure upright bracket (A) is securely attached to speaker bracket (BB).

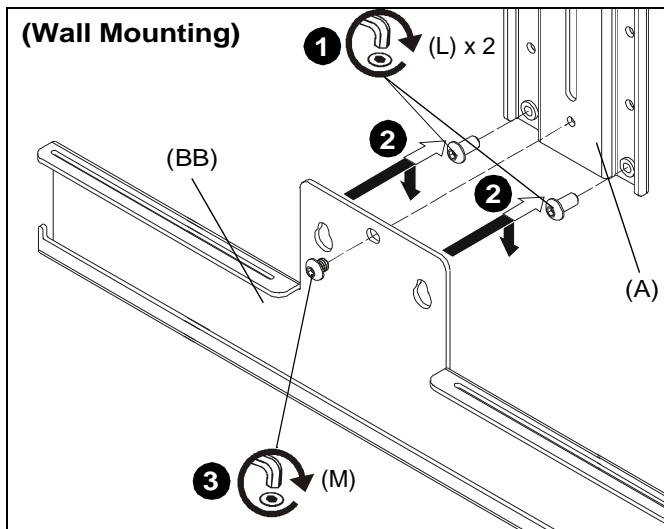


Figure 1

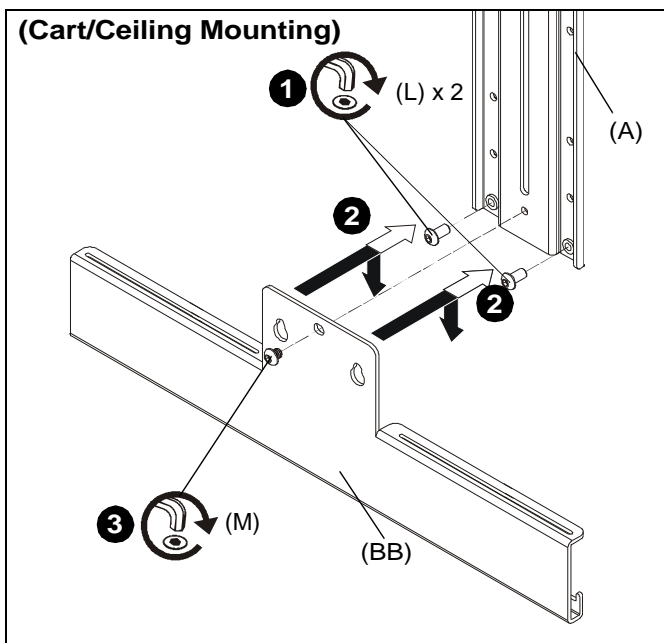


Figure 2

Attaching Speaker Bracket to Wall Mount

NOTE: If attaching to cart or ceiling mount, proceed to **Attach Speaker Bracket to Cart/Ceiling Section**.

1. Use two 1/4-20 x 1/4" button head cap screws (M) and two large washers (H) to secure shelf bracket (X) to main bracket (B). (See Figure 3)



CAUTION: Slide bracket with caution so that the bracket does not scratch or damage the wall!

2. Slide main bracket (B) behind wall mount rails until shelf bracket (X) rests on top of wall mount rail. (See Figure 3)

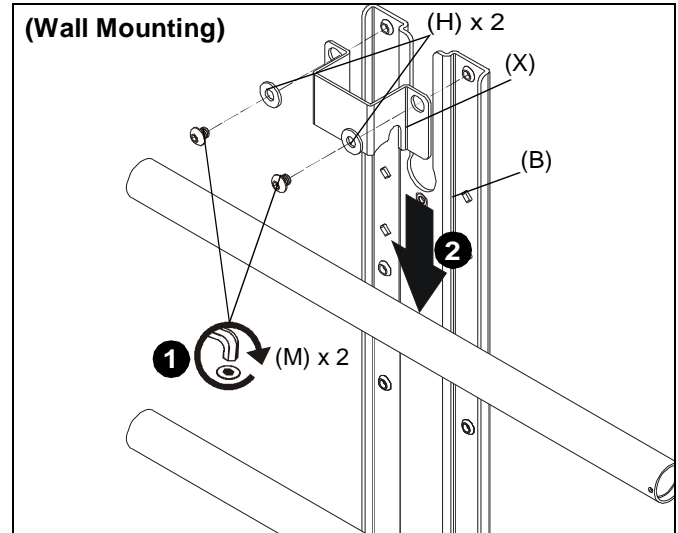


Figure 3

3. Slide second shelf bracket (X) underneath lower rail on wall mount, lining up holes on shelf bracket (X) to main bracket (B). (See Figure 4)

4. Use two 1/4-20 x 1/4" button head cap screws (M) and two large washers (H) to secure shelf bracket (X) to main bracket (B). (See Figure 4)

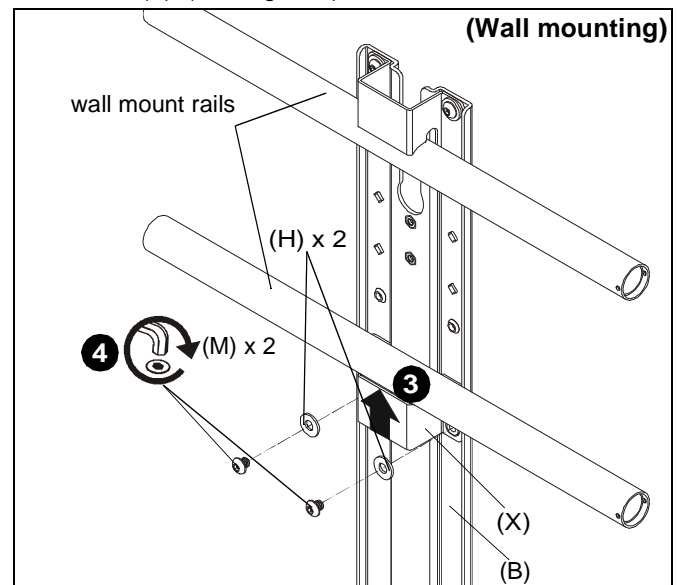


Figure 4

NOTE: Refer to Table 1 and dimension drawings on pages 3-4 to determine the extension level based on extension distance from mount center.

Table 1: Wall Mounting

Extension distance from center of mount (in.) FCA830	Extension distance from center of mount (in.) FCA840	
13.8-16.1	18.8-20.5	Minimum
16.1-18.7	20.5-30.5	Intermediate
18.7-20.2	30.5-31.9	Maximum

- (For **maximum extension**) Use #10-32 x 3/8" button head cap screw (P) and small washer (J) to secure adapter plate (V) to main bracket (B). (See Figure 5)
- (For **maximum extension**) Use two #10-24 lock nuts (G) to secure upright bracket (A) to main bracket (B) and adapter plate (V). (See Figure 5)

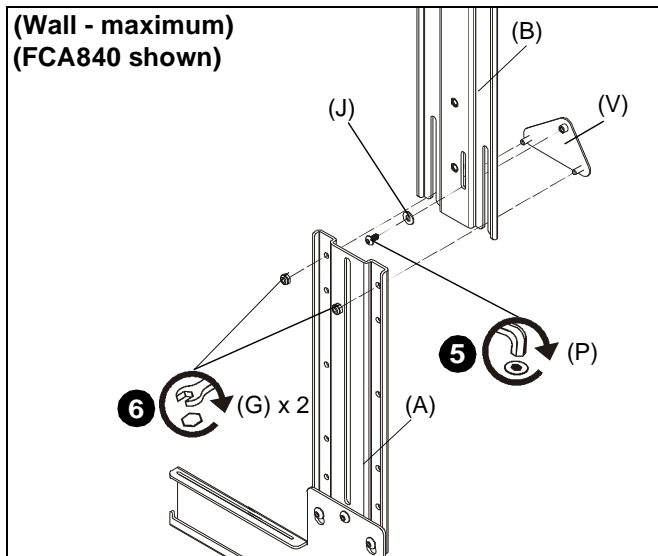


Figure 5

- (For **minimum/intermediate extension**) Use two #10-24 lock nuts (G) to secure upright bracket (A) to main bracket (B) and adapter plate (V). (See Figure 6)

NOTE: Minimum configuration is shown below. Several intermediate configurations are possible depending on which holes are used.

- (For **minimum/intermediate extension**) Use 1/4-20 x 5/8" hex head flange bolt (N) and center washer (Y) to secure upright bracket (A) to main bracket (B). (See Figure 6)

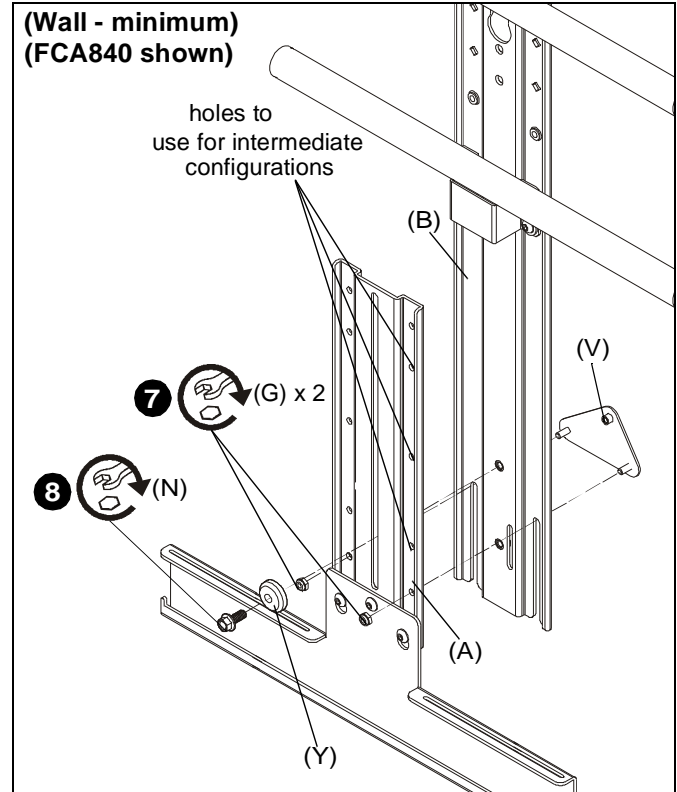


Figure 6

Attaching Speaker Bracket to Cart/Ceiling Mount

IMPORTANT ! : If installing to a 2x1 display cart using the FCA623 accessory, proceed to "Installing to FCA623 Accessory" Section (Step 6).

- Use two 1/4-20 x 1/4" button head cap screws (M) and two large washers (H) to secure shelf bracket (X) to main bracket (B). (See Figure 7)
- Slide main bracket (B) onto front of cart/ceiling mount head assembly until shelf bracket (X) rests on top of head assembly. (See Figure 7)

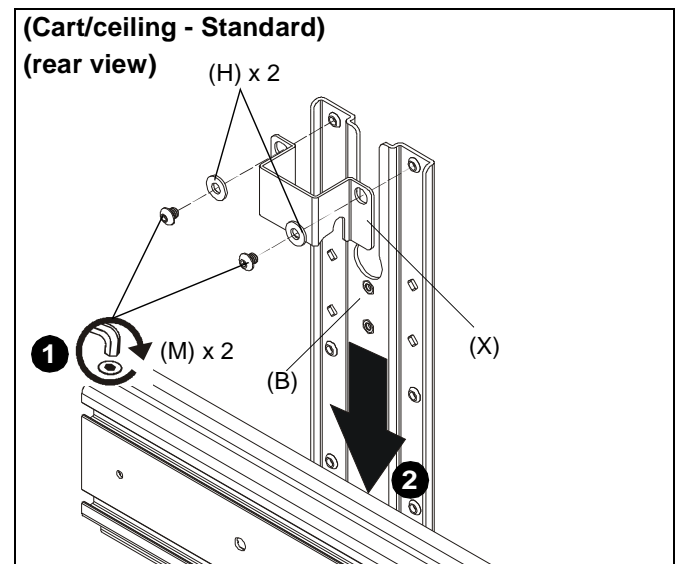


Figure 7

- Slide second shelf bracket (X) underneath head assembly, lining up holes on shelf bracket (X) to holes on main bracket (B). (See Figure 8)
- Use two 1/4-20 x 1/4" button head cap screws (M) and two large washers (H) to secure shelf bracket (X) to main bracket (B). (See Figure 8)

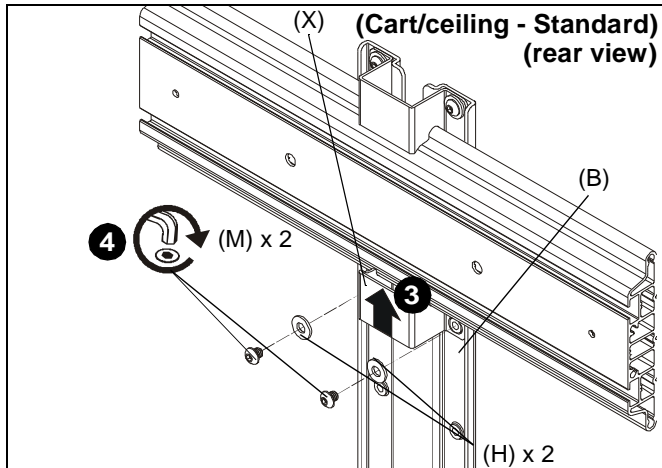


Figure 8

- Proceed to Step 11 unless installing to FCA623 accessory.

Installing to FCA623 Accessory

IMPORTANT ! : Steps 6-10 only apply if installing to FCA623 accessory.

- Use two 1/4-20 x 7/16" button head cap screws (R), two large washers (H) and two 1/2" spacers (U) to secure shelf bracket (X) to main bracket (B). (See Figure 9)
- Slide main bracket (B) onto front of cart/ceiling mount head assembly until shelf bracket (X) rests on top of head assembly. (See Figure 9)

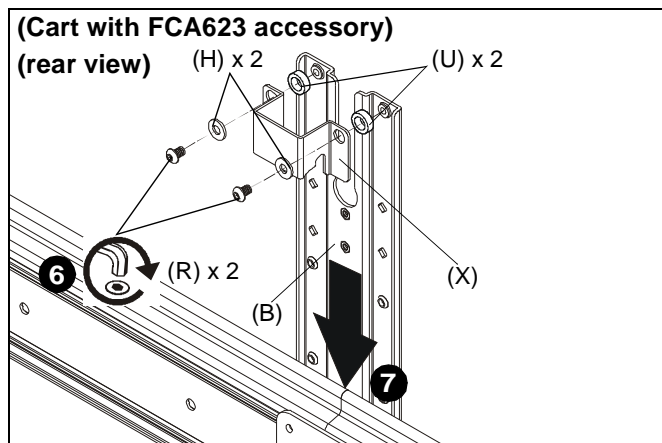


Figure 9

- Slide second shelf bracket (X) underneath head assembly, lining up holes on shelf bracket (X) to holes on main bracket (B). (See Figure 10)
- Slide two 1/2" spacers (U) in between shelf bracket (X) and main bracket (B). (See Figure 10)
- Use two 1/4-20 x 7/16" button head cap screws (R) and two large washers (H) to secure shelf bracket (X) to main bracket (B). (See Figure 10)

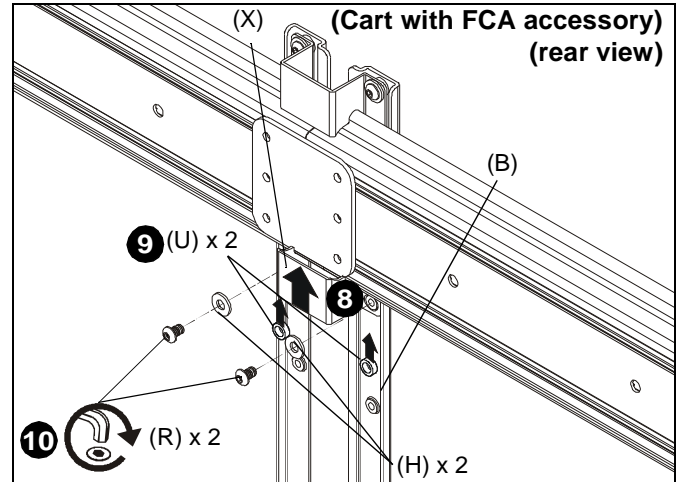


Figure 10

NOTE: Refer to Table 2 and dimension drawings on pages 3-4 to determine the extension level based on extension distance from mount center.

Extension distance from center of mount (in.) FCA830	Extension distance from center of mount (in.) FCA840	
13.4-15.3	19.1-20.8	Minimum
15.3-19.2	20.8-30.2	Intermediate
19.2-21.8	30.2-33.5	Maximum

Table 2: Cart/Ceiling Mount

- (For **maximum/intermediate extension**) Use #10-32 x 3/8" button head cap screw (P) and small washer (J) to secure adapter plate (V) to main bracket (B). (See Figure 11)

NOTE: Maximum configuration is shown below. Several intermediate configurations are possible depending on which holes are used.

- (For **maximum/intermediate extension**) Use two #10-24 lock nuts (G) to secure upright bracket (A) to main bracket (B) and adapter plate (V). (See Figure 11)

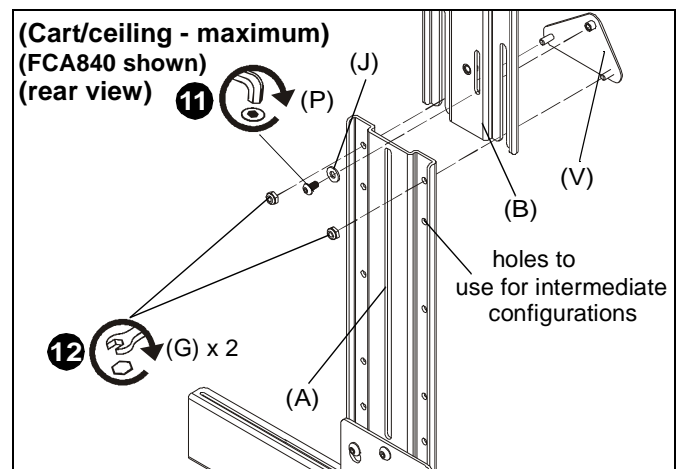


Figure 11

13. (For **minimum extension**) Use 1/4-20 x 5/8" hex head flange bolt (N) and center washer (Y) to secure upright bracket (A) to main bracket (B). (See Figure 12)

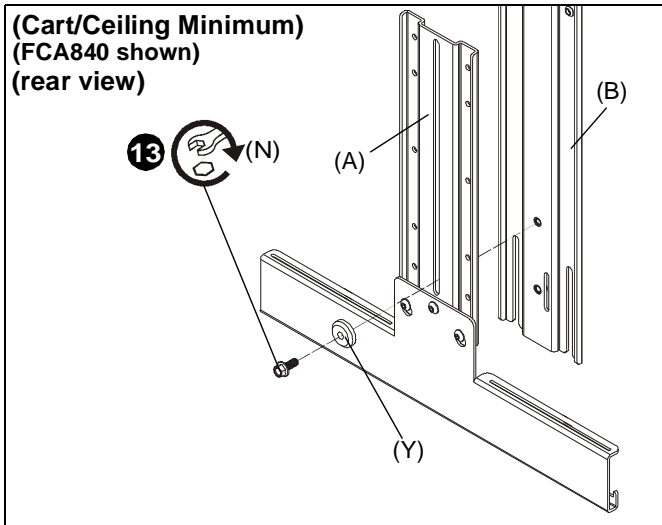


Figure 12

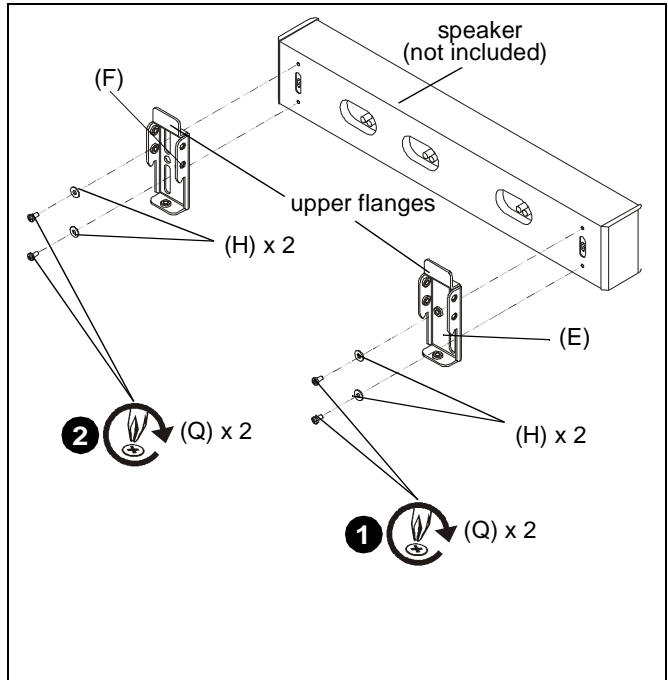


Figure 13

Installing Speaker (not included)

WARNING: Exceeding the weight capacity can result in serious personal injury or damage to equipment! It is the installer's responsibility to make sure the weight mounted on the FCA830/840 bracket does not exceed 20 lbs (9 kg).

WARNING: USING SCREWS OF IMPROPER SIZE MAY DAMAGE THE SPEAKER. Properly sized screws will easily and completely thread into speaker mounting holes.

NOTE: If the screws provided with this accessory do not fit the specific speaker being installed, be sure to use correctly sized screws (not included).

NOTE: If installing to speaker with teardrop openings at attachment points, proceed to "Optional Speaker Installation" Section.

Installing to Cart/Ceiling Mounts

1. Attach left speaker interface (E) to back of speaker (left side) using two 1/4-20 x 1/2" Phillips pan head screws (Q) with two large washers (H). (See Figure 13)

NOTE: Ensure that upper flange of interface brackets are at top of speaker. (See Figure 13)

2. Repeat Steps 1 with right speaker interface (F). (See Figure 13)

3. Install two speaker interfaces (E and F) to speaker bracket (BB) by sliding upper flanges of interfaces into long slots on speaker bracket and then pushing interfaces into position. (See Figure 14)
4. Use two #10-24 x 1 1/8" button head cap screws (W) to secure interfaces to speaker bracket at desired speaker position. (See Figure 14)

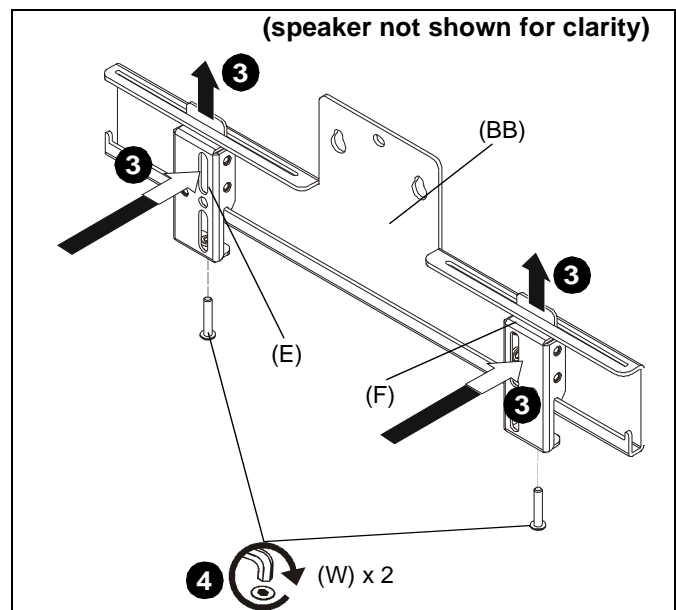


Figure 14

Installation to Wall Mount

1. Attach left wall speaker interface (C) to back of speaker (left side) using two 1/4-20 x 1/2" Phillips pan head screws (Q) with two large washers (H). (See Figure 15)
2. Repeat Steps 1 with right wall speaker interface (D). (See Figure 15)

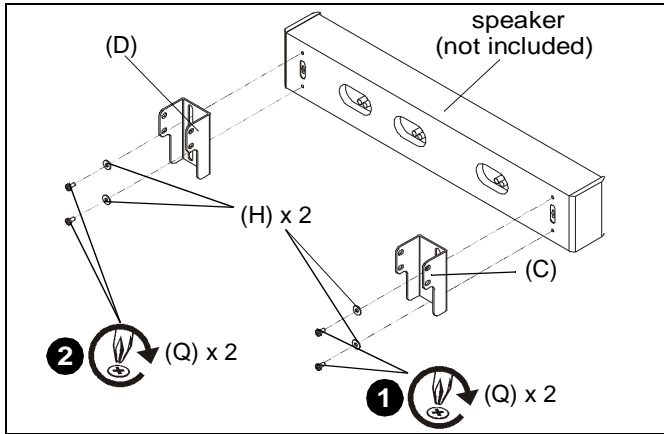


Figure 15

3. Use eight #10-24 x 1/4" button head cap screws (K) to secure two wall speaker interfaces (C and D) to two speaker interfaces (E and F). (See Figure 16)

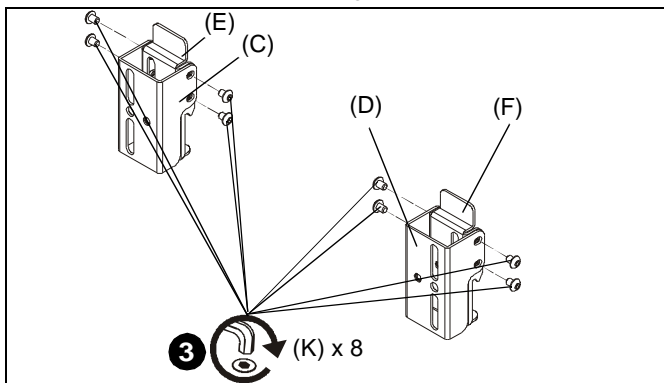


Figure 16

4. Install two speaker interfaces (E and F) to speaker bracket (BB) by sliding upper flanges of interfaces into long slots on speaker bracket and then pushing interfaces into position. (See Figure 17)
5. Use two #10-24 x 1 1/8" button head cap screws (W) to secure interfaces to speaker bracket at desired speaker position. (See Figure 17)

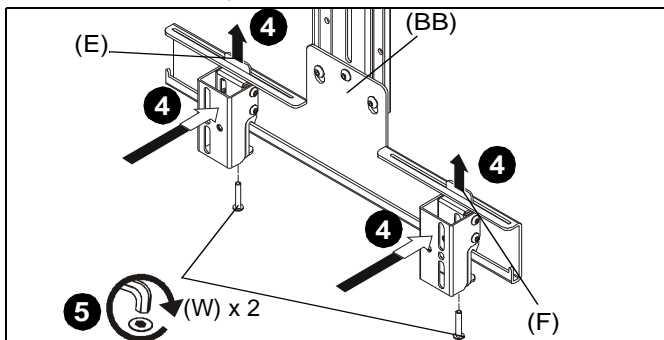


Figure 17

OPTIONAL SPEAKER INSTALLATION

Speaker With Teardrop Opening At Attachment Points

1. Insert two 10-24 x 1/2" Phillips pan head screws (T) into speaker interfaces (E and F) [Cart/Ceiling Mounting] or wall speaker interfaces (C and D) [Wall Mounting] and hang speaker on screws. (See Figure 18)

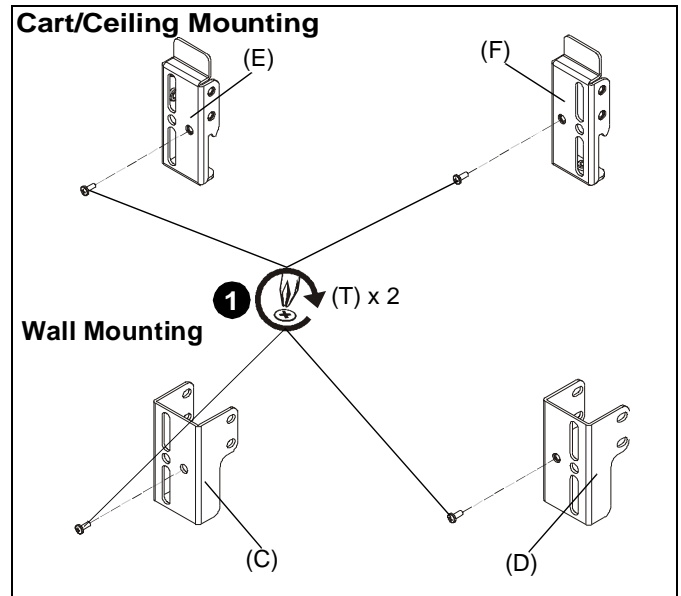


Figure 18

2. Proceed to Step 3 of corresponding speaker installation section to complete installation.

Height Adjustment

1. Loosen hardware used to attach main bracket (B) to upright bracket (A). (See Figure 19)
2. Adjust shelf height as desired using intermediate holes as needed. (See Figure 19)
3. Tighten hardware used to attached main bracket (B) to upright bracket (A). (See Figure 19)

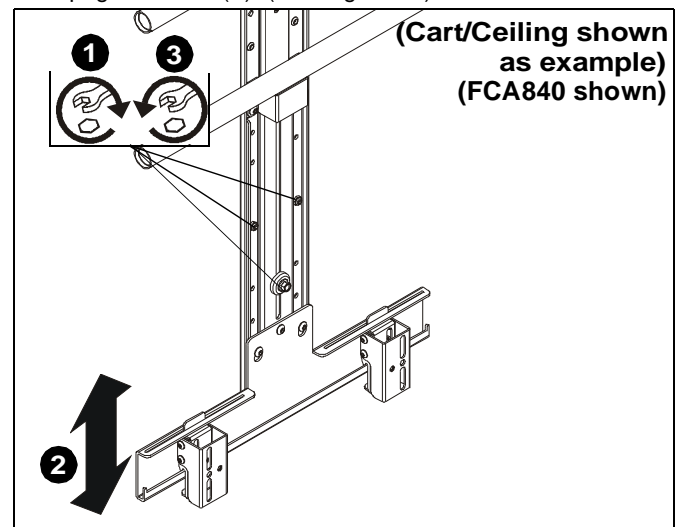


Figure 19



Our Mounts. **Your Vision.**

Chief, a products division of
Milestone AV Technologies

8800-002653 Rev03
©2016 Milestone AV Technologies
www.milestone.com
06/16

USA/International **A** 6436 City West Parkway, Eden Prairie, MN 55344
 P 800.582.6480 / 952.225.6000
 F 877.894.6918 / 952.894.6918

Europe **A** Franklinstraat 14, 6003 DK Weert, Netherlands
 P +31 (0) 495 580 852
 F +31 (0) 495 580 845

Asia Pacific **A** Office No. 918 on 9/F, Shatin Galleria
 18-24 Shan Mei Street
 Fotan, Shatin, Hong Kong
 P 852 2145 4099
 F 852 2145 4477

