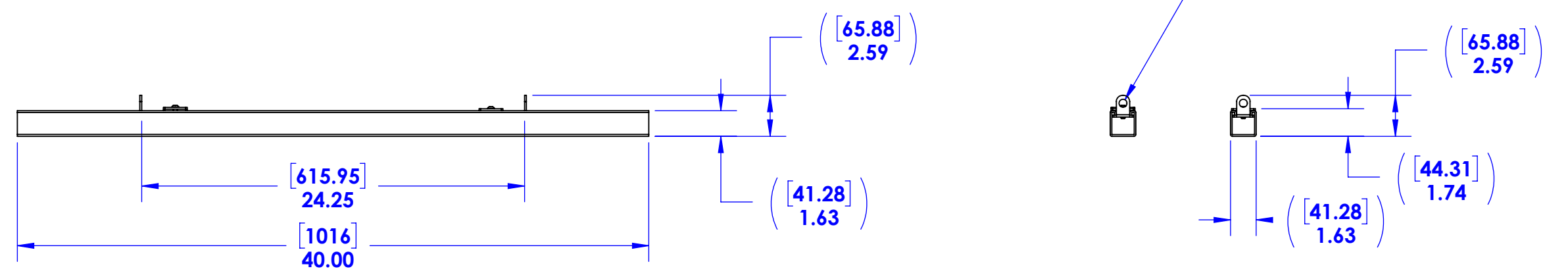
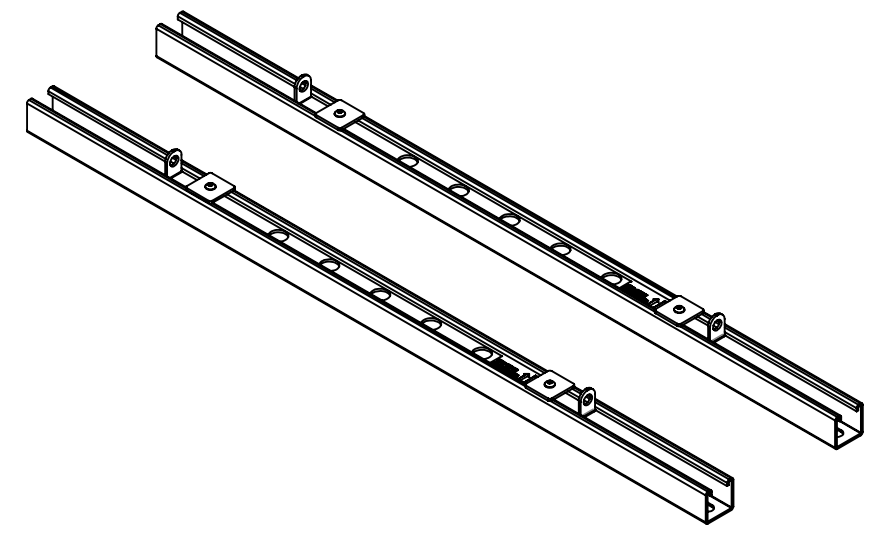


15 1/2" OF LATERAL SHIFT. ATTACHMENT PLATE SHOWN CENTERED ON CHANNEL STRUT

PACFCL LATERAL SHIFT PLATES COME IN A SET OF 2 AS SHOWN



THE INFORMATION AND DESIGNS CONTAINED IN THIS DRAWING ARE CONFIDENTIAL AND THE PROPRIETARY PROPERTY OF MILESTONE AV TECHNOLOGIES NEITHER THIS DESIGN NOR ANY INFORMATION CONTAINED IN THIS DRAWING MAY BE REPRODUCED OR DISCLOSED TO OTHERS WITHOUT THE EXPRESS WRITTEN CONSENT OF MILESTONE AV TECHNOLOGIES.

CAD GENERATED DRAWING, DO NOT MANUALLY UPDATE.			6436 CITY WEST PKWY EDEN PRAIRIE MN, 55344 PHONE: 866-977-3901 FAX: 877-894-6918		
DRAWN BY	PJO	2/12/2019			
ENG APPROVAL			DESCRIPTION CABLE FLOOR TO CEILING LATERAL ADJ ACCESSORY		
MFG APPROVAL					
QA APPROVAL			MODEL NO. PACFCL		
SHEET 1 OF 1		SCALE 1:8	SIZE B	DWG. NO. TECH-000977	REV. 00