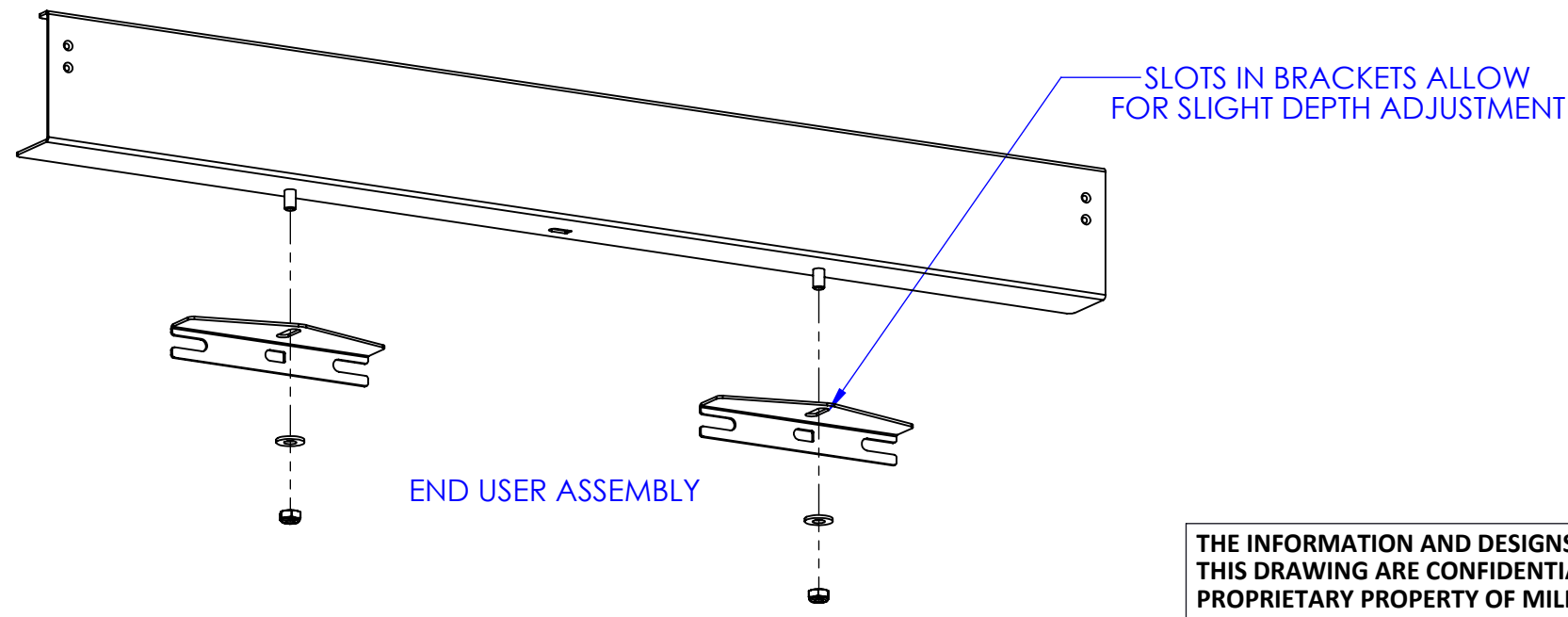
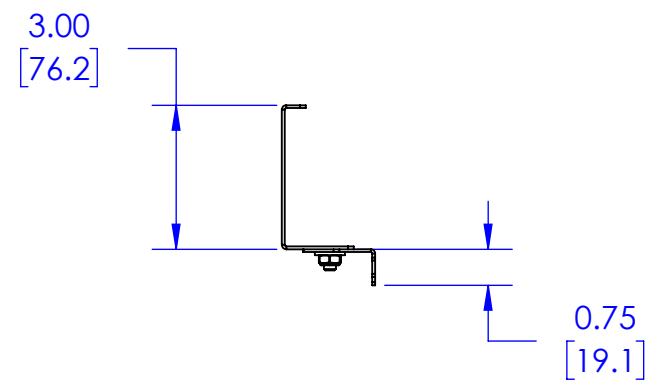
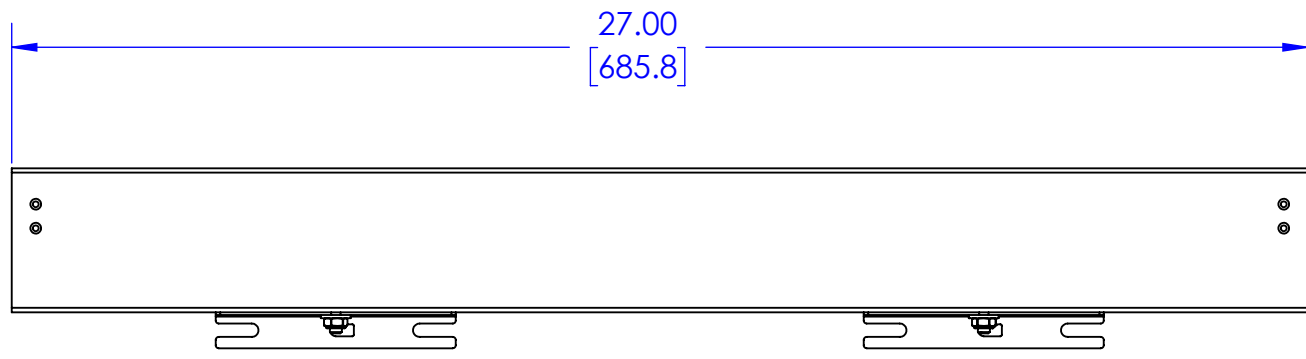
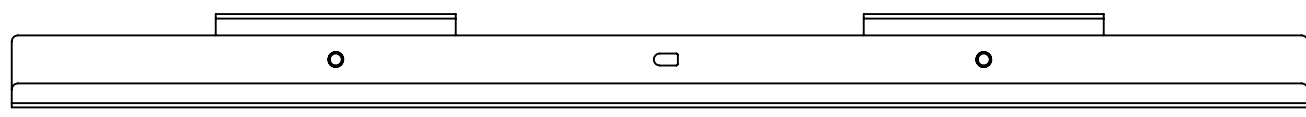


SHOWN ON THIS PAGE IS THE COVER
BRACKET FOR THE TILSC2HUU
EACH KIT INCLUDES 2 BRACKETS

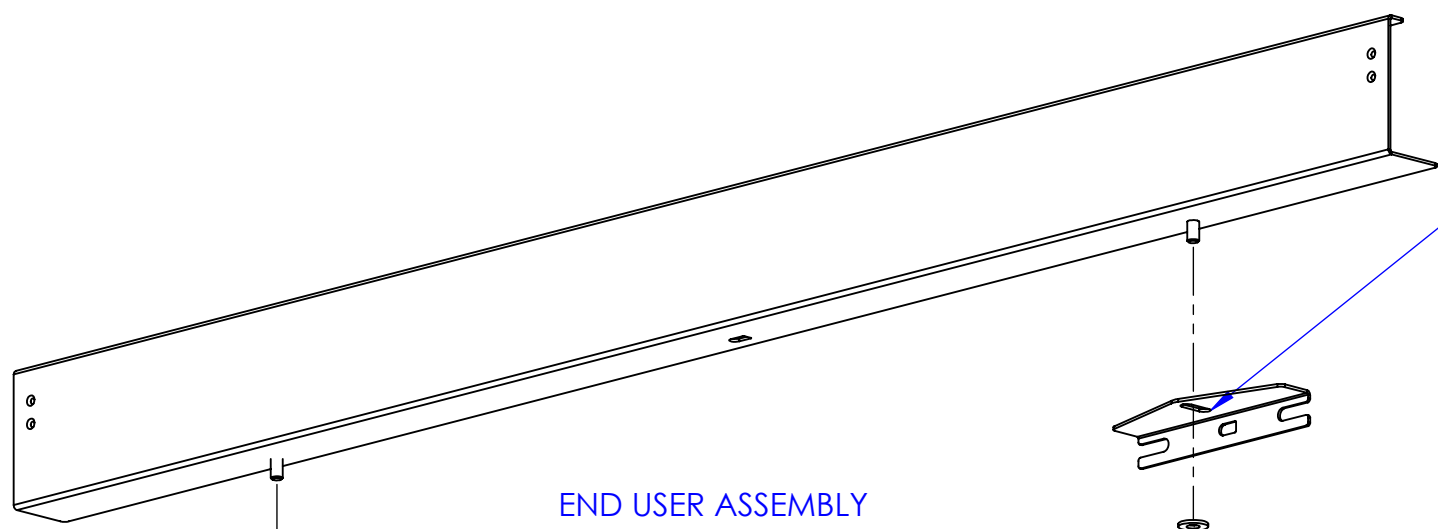
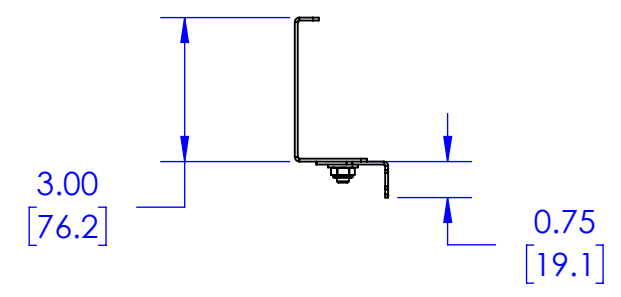
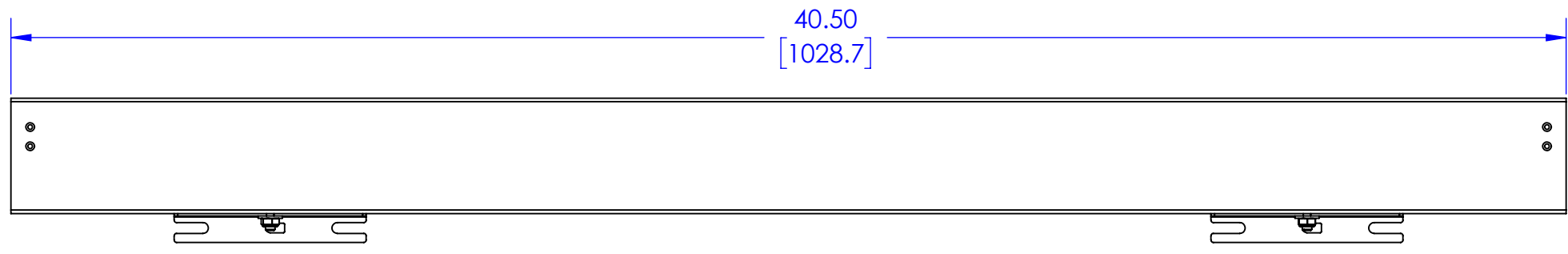
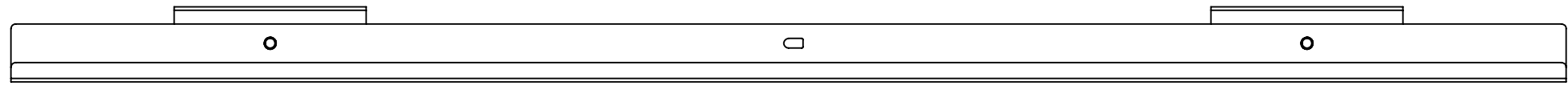


END USER ASSEMBLY

THE INFORMATION AND DESIGNS CONTAINED IN THIS DRAWING ARE CONFIDENTIAL AND THE PROPRIETARY PROPERTY OF MILESTONE AV TECHNOLOGIES NEITHER THIS DESIGN NOR ANY INFORMATION CONTAINED IN THIS DRAWING MAY BE REPRODUCED OR DISCLOSED TO OTHERS WITHOUT THE EXPRESS WRITTEN CONSENT OF MILESTONE AV TECHNOLOGIES.

CAD GENERATED DRAWING, DO NOT MANUALLY UPDATE.			CHIEF 6436 CITY WEST PKWY EDEN PRAIRIE MN, 55344 PHONE: 866-977-3901 FAX: 877-894-6918	
DRAWN BY	JAB	3/15/2019	DESCRIPTION TILXXUU 2 AND 3 HIGH SIDE COVERS	
ENG APPROVAL			MODEL NO. TILSC2HUU & TILSC3HUU	
MFG APPROVAL			SIZE DWG. NO. B TECH-001014	
QA APPROVAL			REV. 01	
SHEET 1 OF 4		SCALE 1:4		

SHOWN ON THIS PAGE IS THE COVER
BRACKET FOR THE TILSC3HUU
EACH KIT INCLUDES 2 BRACKETS

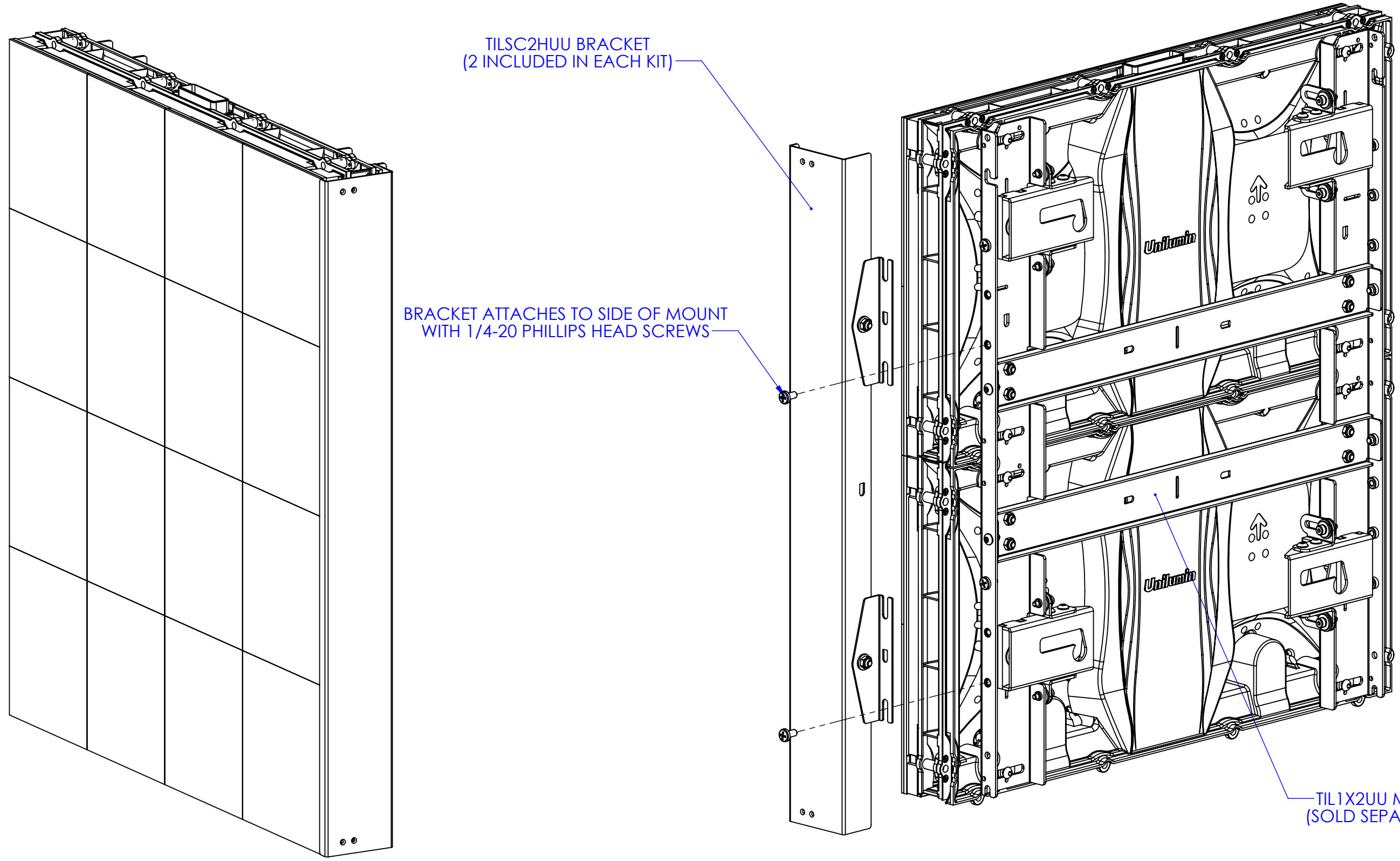


END USER ASSEMBLY

SLOTS IN BRACKETS ALLOW FOR SLIGHT DEPTH ADJUSTMENT

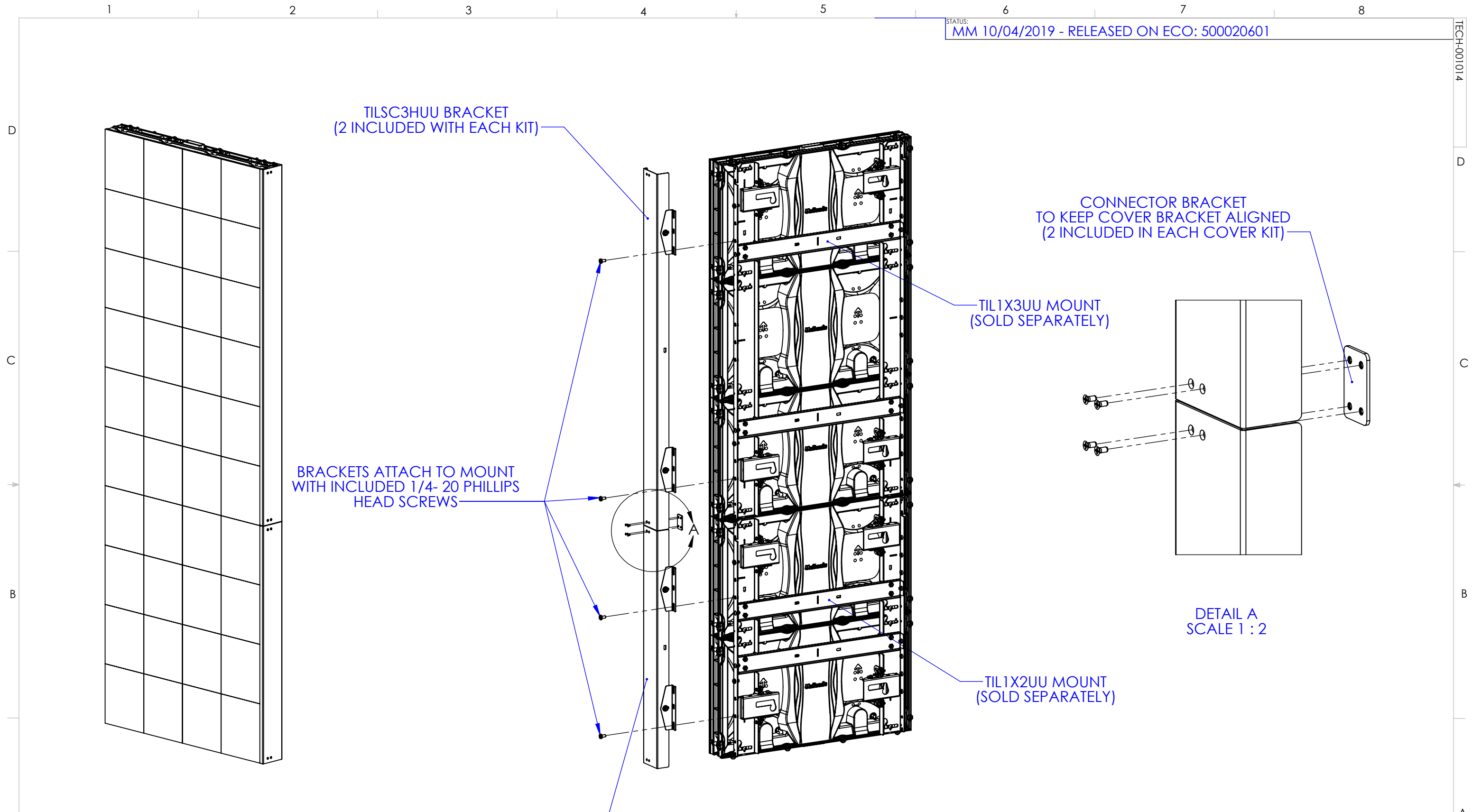
THE INFORMATION AND DESIGNS CONTAINED IN THIS DRAWING ARE CONFIDENTIAL AND THE PROPRIETARY PROPERTY OF MILESTONE AV TECHNOLOGIES NEITHER THIS DESIGN NOR ANY INFORMATION CONTAINED IN THIS DRAWING MAY BE REPRODUCED OR DISCLOSED TO OTHERS WITHOUT THE EXPRESS WRITTEN CONSENT OF MILESTONE AV TECHNOLOGIES.

CAD GENERATED DRAWING, DO NOT MANUALLY UPDATE.			CHIEF 6436 CITY WEST PKWY EDEN PRAIRIE MN, 55344 PHONE: 866-977-3901 FAX: 877-894-6918	
DRAWN BY	JAB	3/15/2019	DESCRIPTION TILXXUJ 2 AND 3 HIGH SIDE COVERS	
ENG APPROVAL			MODEL NO. TILSC2HUU & TILSC3HUU	
MFG APPROVAL			SIZE B	DWG. NO. TECH-001014
QA APPROVAL			SCALE 1:4	REV. 01
SHEET 2 OF 4				



THE INFORMATION AND DESIGNS CONTAINED IN THIS DRAWING ARE CONFIDENTIAL AND THE PROPRIETARY PROPERTY OF MILESTONE AV TECHNOLOGIES NEITHER THIS DESIGN NOR ANY INFORMATION CONTAINED IN THIS DRAWING MAY BE REPRODUCED OR DISCLOSED TO OTHERS WITHOUT THE EXPRESS WRITTEN CONSENT OF MILESTONE AV TECHNOLOGIES.

CAD GENERATED DRAWING, DO NOT MANUALLY UPDATE.				6436 CITY WEST PKWY EDEN PRAIRIE MN, 55344 PHONE: 866-977-3901 FAX: 877-894-6918	
DRAWN BY	JAB	3/15/2019		DESCRIPTION TILXXXUU 2 AND 3 HIGH SIDE COVERS	
ENG APPROVAL			MODEL NO. TILSC2HUU & TILSC3HUU		
MFG APPROVAL			REV. 01		
QA APPROVAL			SHEET 3 OF 4	SCALE 1:4	SIZE B
			DWG. NO. TECH-001014		



TILSC3HUU BRACKET
(2 INCLUDED WITH EACH KIT)

BRACKETS ATTACH TO MOUNT
WITH INCLUDED 1/4- 20 PHILLIPS
HEAD SCREWS

TILSC2HUU BRACKET
(2 INCLUDED WITH EACH KIT)

CONNECTOR BRACKET
TO KEEP COVER BRACKET ALIGNED
(2 INCLUDED IN EACH COVER KIT)

TIL1X3UU MOUNT
(SOLD SEPARATELY)

TIL1X2UU MOUNT
(SOLD SEPARATELY)

DETAIL A
SCALE 1 : 2

THE INFORMATION AND DESIGNS CONTAINED IN THIS DRAWING ARE CONFIDENTIAL AND THE PROPRIETARY PROPERTY OF MILESTONE AV TECHNOLOGIES NEITHER THIS DESIGN NOR ANY INFORMATION CONTAINED IN THIS DRAWING MAY BE REPRODUCED OR DISCLOSED TO OTHERS WITHOUT THE EXPRESS WRITTEN CONSENT OF MILESTONE AV TECHNOLOGIES.

CAD GENERATED DRAWING, DO NOT MANUALLY UPDATE.			CHIEF		6436 CITY WEST PKWY EDEN PRAIRIE MN, 55344 PHONE: 866-977-3901 FAX: 877-894-6918
DRAWN BY	JAB	3/15/2019	DESCRIPTION TILXXUU 2 AND 3 HIGH SIDE COVERS		
ENG APPROVAL			MODEL NO. TILSC2HUU & TILSC3HUU		
MFG APPROVAL			SIZE	DWG. NO.	REV.
QA APPROVAL			B	TECH-001014	01
SHEET 4 OF 4		SCALE 1:10			