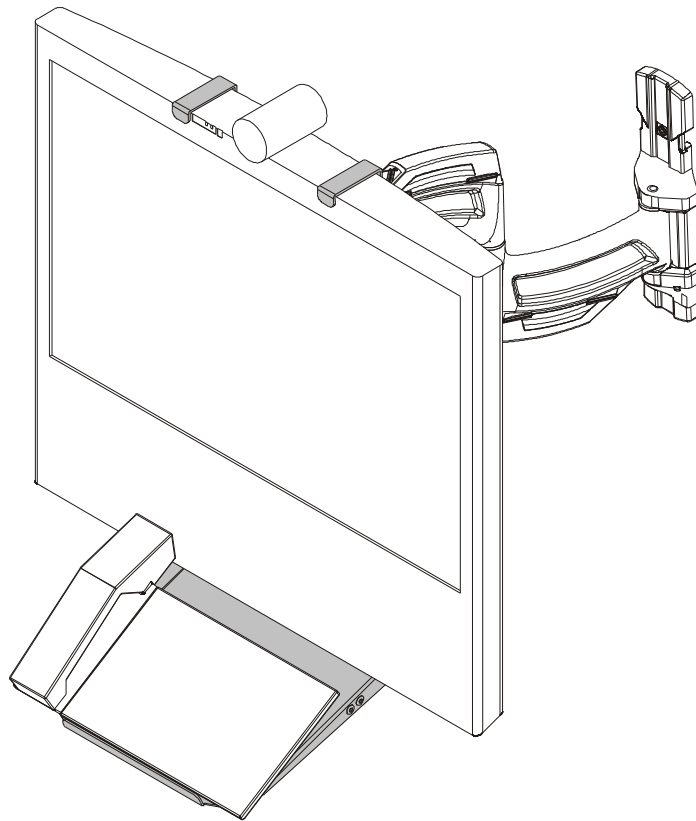

INSTALLATION INSTRUCTIONS




Interface Bracket and Shelf Assembly


DISCLAIMER


Milestone AV Technologies and its affiliated corporations and subsidiaries (collectively "Milestone"), intend to make this manual accurate and complete. However, Milestone makes no claim that the information contained herein covers all details, conditions or variations, nor does it provide for every possible contingency in connection with the installation or use of this product. The information contained in this document is subject to change without notice or obligation of any kind. Milestone makes no representation of warranty, expressed or implied, regarding the information contained herein. Milestone assumes no responsibility for accuracy, completeness or sufficiency of the information contained in this document.


Chief® is a registered trademark of Milestone AV Technologies. All rights reserved.


IMPORTANT SAFETY INSTRUCTIONS


 **WARNING:** A WARNING alerts you to the possibility of serious injury or death if you do not follow the instructions.


 **CAUTION:** A CAUTION alerts you to the possibility of damage or destruction of equipment if you do not follow the corresponding instructions.


 **WARNING:** Failure to read, thoroughly understand, and follow all instructions can result in serious personal injury, damage to equipment, or voiding of factory warranty! It is the installer's responsibility to make sure all components are properly assembled and installed using the instructions provided.

 **WARNING:** Failure to provide adequate structural strength for this component can result in serious personal injury or damage to equipment! It is the installer's responsibility to make sure the structure to which this component is attached can support five times the combined weight of all equipment. Reinforce the structure as required before installing the component.

 **WARNING:** Exceeding the weight capacity can result in serious personal injury or damage to equipment! It is the installer's responsibility to make sure the combined weight of all components located between the JSB2090 up to (and including) the display does not exceed 35 lbs (15.9 kg).

 **WARNING:** Use this mounting system only for its intended use as described in these instructions. Do not use attachments not recommended by the manufacturer.

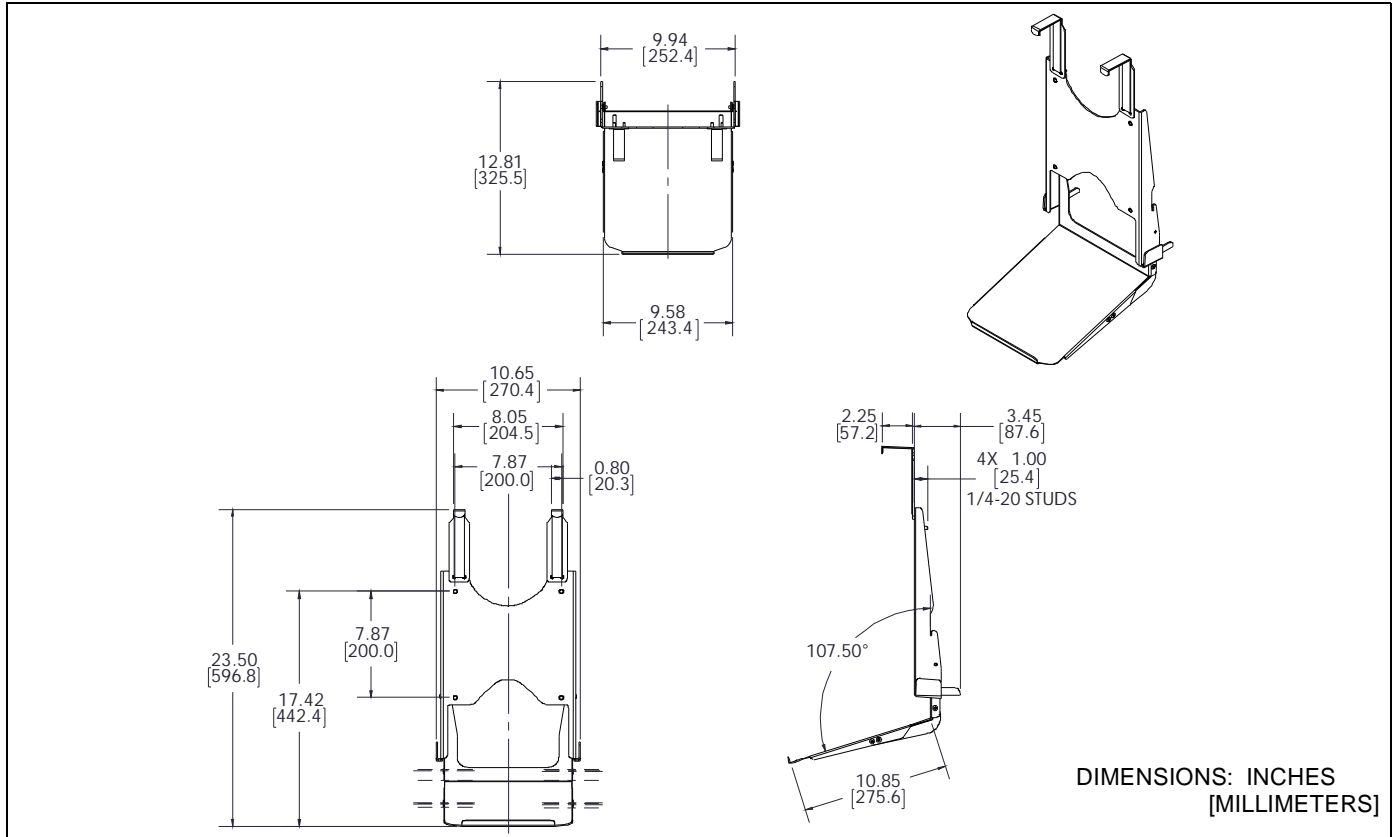
 **WARNING:** Never operate this mounting system if it is damaged. Return the mounting system to a service center for examination and repair.

 **WARNING:** Do not use this product outdoors.

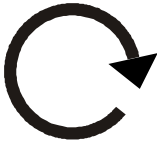

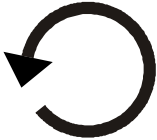

IMPORTANT ! : The JSB2090 interface brackets are designed to be mounted to an already installed Chief TS218 swing arm.

--SAVE THESE INSTRUCTIONS--

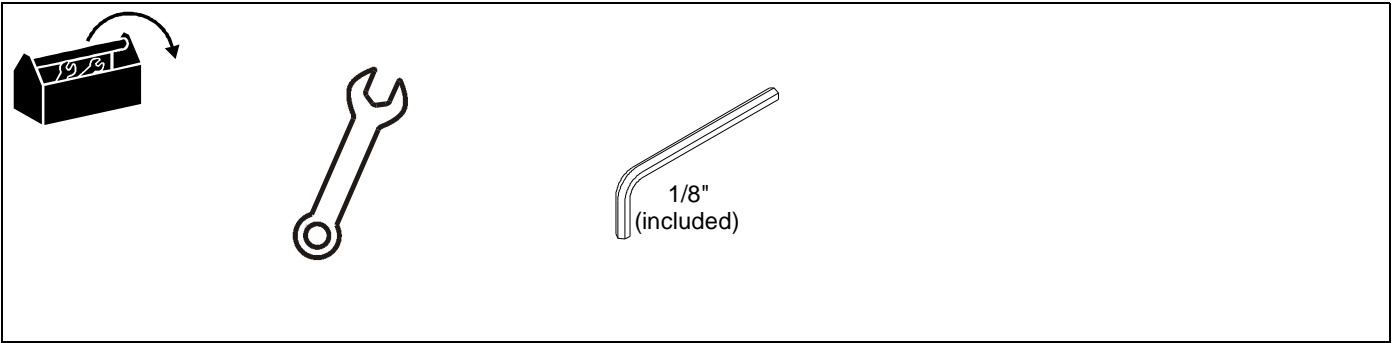
DIMENSIONS



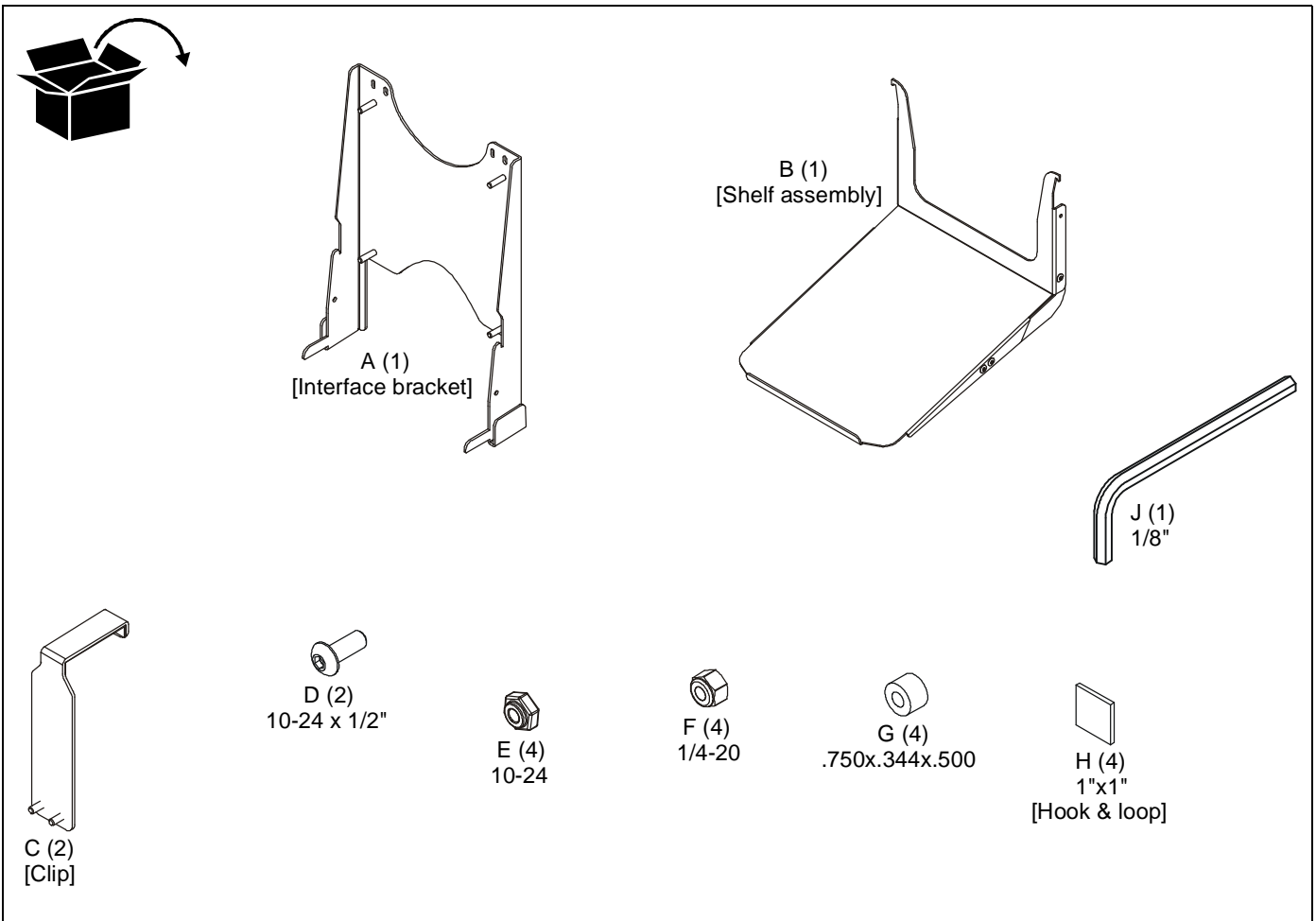
LEGEND

	Tighten Fastener		Open-Ended Wrench
	Apretar elemento de fijación		Llave de boca
	Befestigungsteil festziehen		Gabelschlüssel
	Apertar fixador		Chave de bocas
	Serrare il fissaggio		Chiave a punta aperte
	Bevestiging vastdraaien		Steeksleutel
Serrez les fixations	Clé à fourche		
	Loosen Fastener		Hex-Head Wrench
	Aflojar elemento de fijación		Llave de cabeza hexagonal
	Befestigungsteil lösen		Sechskantschlüssel
	Desapertar fixador		Chave de cabeça sextavada
	Allentare il fissaggio		Chiave esagonale
	Bevestiging losdraaien		Zeskantsleutel
Desserrez les fixations	Clé à tête hexagonale		

TOOLS REQUIRED FOR INSTALLATION



PARTS



ASSEMBLY AND INSTALLATION

NOTE: The following procedure assumes that a Chief TS218 swing arm mount (not included) has already been installed following instructions included with the mount.

1. Hook two clips (C) over top of display, with long edge of clip on back of display. (See Figure 1)

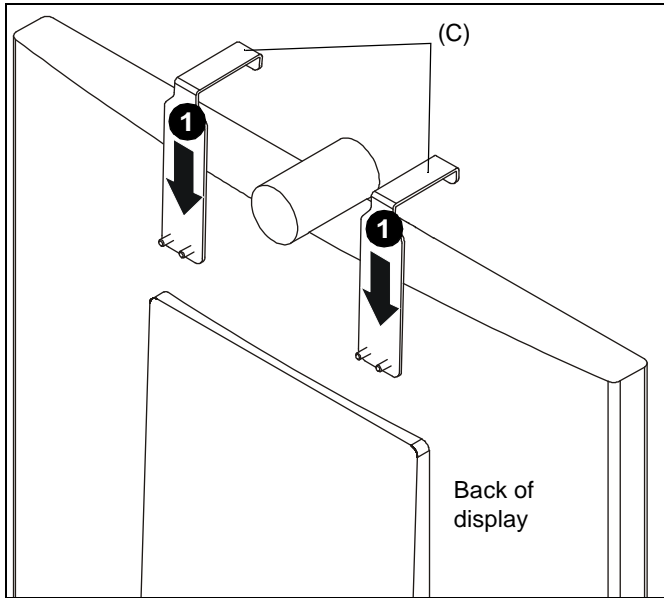


Figure 1

2. Slide interface bracket (A) up from bottom along back of display, ensuring that bottom of interface bracket hooks over square extension on back of display. (See Figure 2)
3. Hang interface bracket onto studs at bottom of clips (C). (See Figure 2)

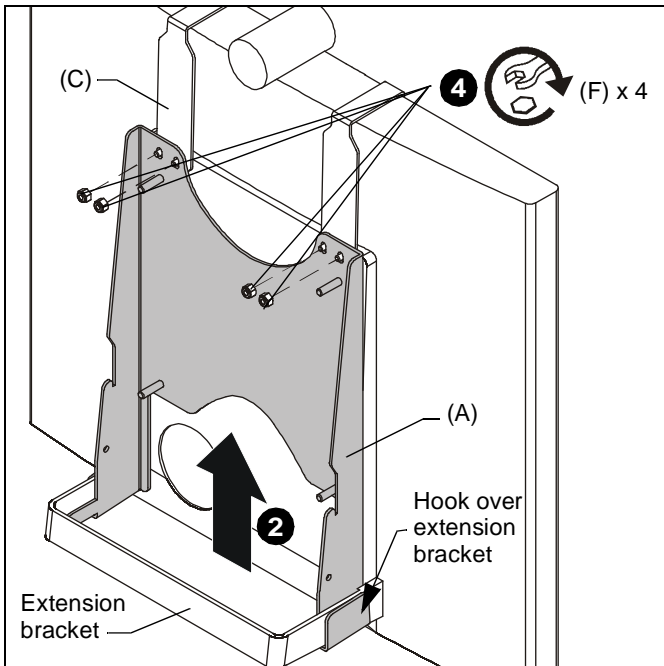


Figure 2

4. Fasten interface bracket to clips using four 1/4-20 locknuts (F). (See Figure 2)
5. Attach display to swing arm by lining up and inserting four studs on interface bracket (A) into holes in swing arm. (See Figure 3)

IMPORTANT ! : If attaching to the Chief TS318 swing arm, use four .750x.344x.500 spacers (G) on the mount studs before attaching the mount to the swing arm face.

6. Fasten display to swing arm using four 10-24 locknuts (E). (See Figure 3)

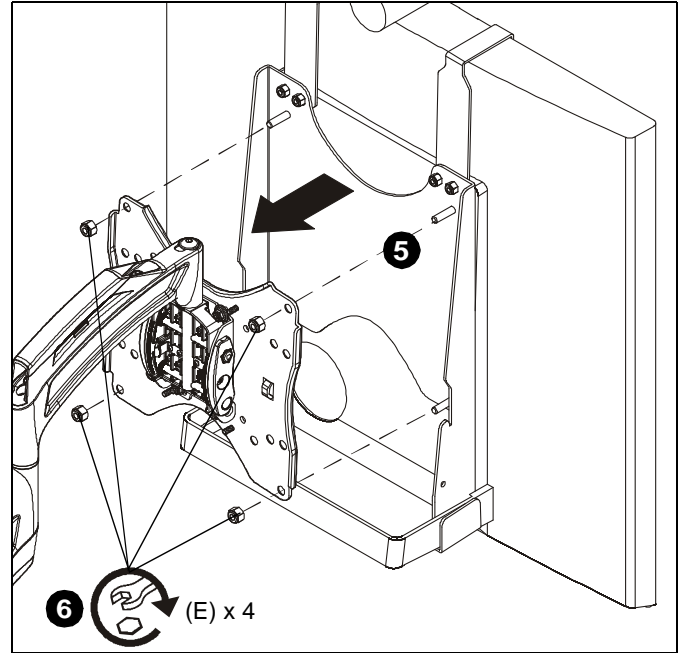


Figure 3

7. Lift shelf assembly (B) up from below display and hook onto interface bracket (A). (See Figure 4)

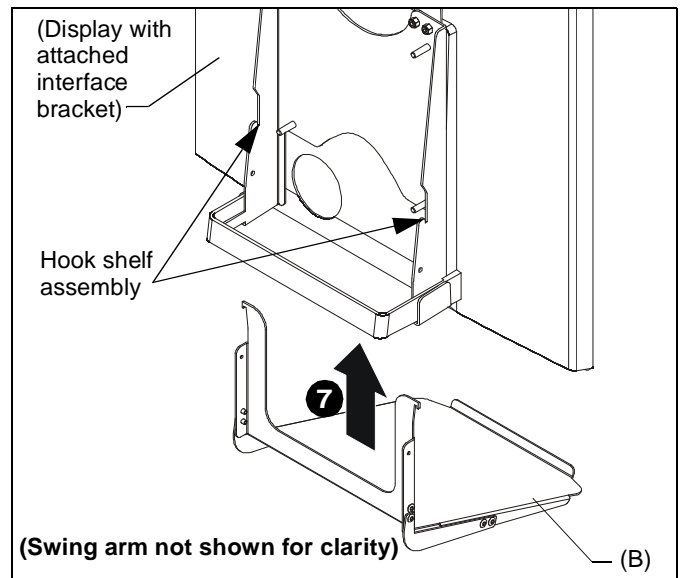


Figure 4

8. Fasten shelf assembly to interface bracket using two 10-24 x 1/2" buttonhead screws (D). (See Figure 5)

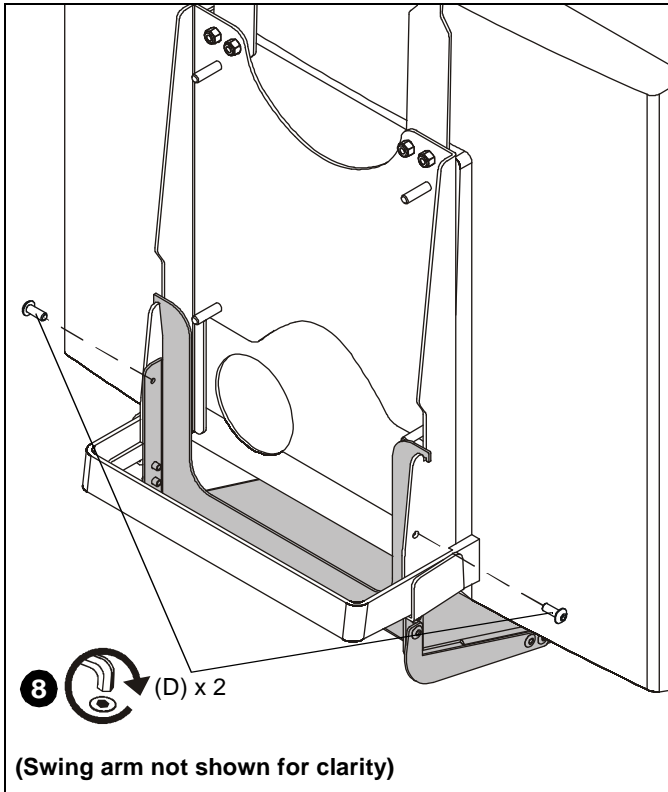


Figure 5

9. Put hook and loop (H) squares together so there are 2 squares.
10. Remove paper from one side of both of the squares.
11. Attach hook and loop squares to top of shelf assembly (B). (See Figure 6)

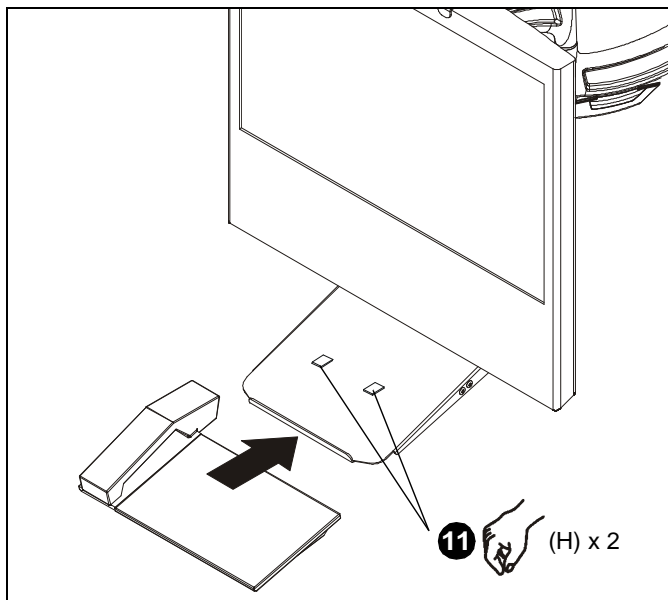


Figure 6

12. Remove paper from hook and loop squares and place remote phone on shelf assembly, pressing it against the hook and loop squares. (See Figure 7)

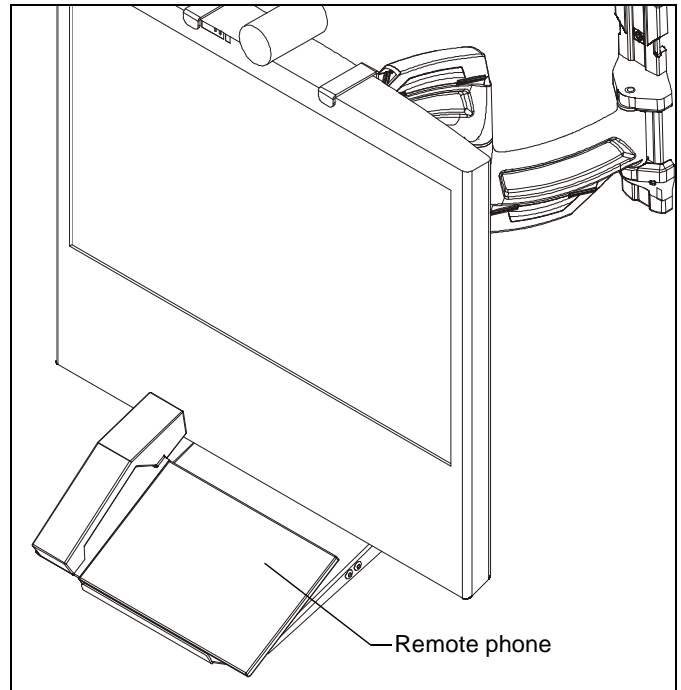


Figure 7



Our Mounts. **Your Vision.**

Chief Manufacturing, a products division
of Milestone AV Technologies

8800-002280 Rev00
©2012 Milestone AV Technologies, a
Duchossois Group Company
www.chiefmfg.com
10/12

USA/International	A 6436 City West Parkway, Eden Prairie, MN 55344 P 800.582.6480 / 952.225.6000 F 877.894.6918 / 952.894.6918
Europe	A Franklinstraat 14, 6003 DK Weert, Netherlands P +31 (0) 495 580 852 F +31 (0) 495 580 845
Asia Pacific	A Office No. 1 on 12/F, Shatin Galleria 18-24 Shan Mei Street Fotan, Shatin, Hong Kong P 852 2145 4099 F 852 2145 4477

