

UPA-1220-50 Power supply, 220VAC 50Hz, 12VDC 1A out



- ▶ Provides efficient, constant power for analog and some IP cameras, keyboards, and other low-power-usage products.
- ▶ Models are exceptionally energy efficient
- ▶ Meets or exceeds International Energy Efficiency Level VI requirements

Power supply for camera. 100-240 VAC, 50/60 Hz In; 12 VDC, 1 A Out; regulated

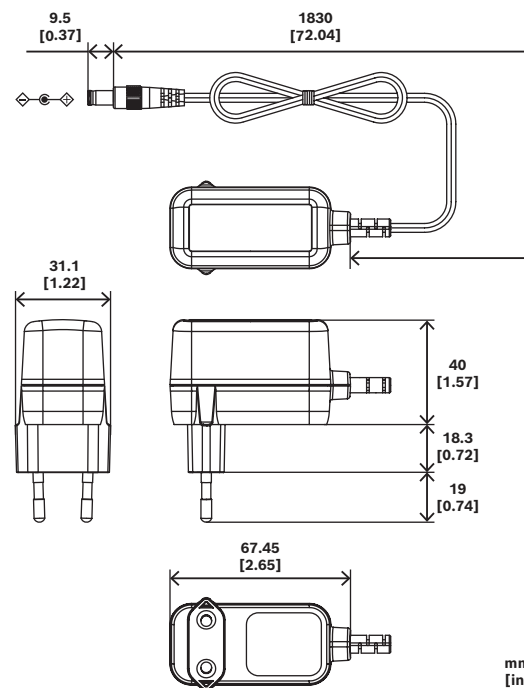
Regulatory information

Electromagnetic Compatibility (EMC)	Complies with FCC Part 15, ICES-003, and CE regulations
Product Safety	Complies with CE regulations, UL, CSA, EN, and IEC standards
Energy Efficiency	Meets Energy Efficiency Level VI

Region	Regulatory compliance/quality marks	
Europe	CE	UPA-1220-50 DoC

Installation/configuration notes

UPA-1220-50 Power Supply



Parts included

Quantity	Component
1	Unit

Technical specifications

Electrical

Input voltage (VAC)	100 VAC – 240 VAC
Output voltage (VDC)	12 VDC (1.0 A, regulated)
Power frequency	50 Hz; 60 Hz
Input current (A)	0.3 A
Inrush current (A)	60 A
Power consumption (W)	0.10 W
Power consumption VAC (VA) (typical – maximum)	115 VA – 230 VA
Output voltage accuracy	11.4-12.6 V

Mechanical

Input Connectors	2-prong, European Europlug standard (4 mm / 19 mm)
Output Connectors	2.1 x 5.5 x 9.5 mm plug (0.8 x 0.22 x 0.37 in.)
Color	Black
Material	Plastic
Dimension (H x W x D) (cm)	6 cm x 3.5 cm x 4 cm
Dimension (H x W x D) (in)	2.36 in x 1.38 in x 1.57 in
Dimension (H x W x D) (mm)	60 mm x 35 mm x 40 mm
Weight (kg)	0.12 kg
Weight (lb)	0.26 lb
Recommended Use	Bosch megapixel cameras

Environmental

Operating temperature (°C)	0 °C – 40 °C
Operating temperature (°F)	32 °F – 104 °F
Storage temperature (°C)	-20 °C – 85 °C

Storage temperature (°F)	-4 °F – 185 °F
Operating relative humidity, non-condensing (%)	20% – 90%
Cold start temperature (°C)	25 °C
Cold start temperature (°F)	77 °F
Vibration	IEC 60068-2-6 NEMA TS2 Section 2.2.8

Ordering information

UPA-1220-50 Power supply, 220VAC 50Hz, 12VDC 1A out

Power supply for camera. 100-240 VAC, 50/60 Hz In; 12 VDC, 1 A Out; regulated.

Input connector: 2-prong, European Europlug standard (4 mm / 19 mm).

Order number **UPA-1220-50 | F.01U.076.158**

Represented by:

Europe, Middle East, Africa:
Bosch Security Systems B.V.
P.O. Box 80002
5600 JB Eindhoven, The Netherlands
Phone: + 31 40 2577 284
www.boschsecurity.com/xc/en/contact/
www.boschsecurity.com

Germany:
Bosch Sicherheitssysteme GmbH
Robert-Bosch-Ring 5
85630 Grasbrunn
Tel.: +49 (0)89 6290 0
Fax: +49 (0)89 6290 1020
de.securitysystems@bosch.com
www.boschsecurity.com

North America:
Bosch Security Systems, LLC
130 Perinton Parkway
Fairport, New York, 14450, USA
Phone: +1 800 289 0096
Fax: +1 585 223 9180
onlinehelp@us.bosch.com
www.boschsecurity.com

Asia-Pacific:
Robert Bosch (SEA) Pte Ltd, Security Systems
11 Bishan Street 21
Singapore 573943
Phone: +65 6571 2808
Fax: +65 6571 2699
www.boschsecurity.com/xc/en/contact/
www.boschsecurity.com