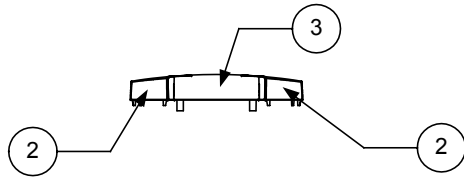
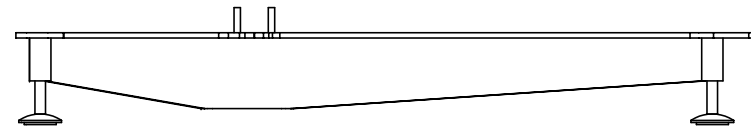
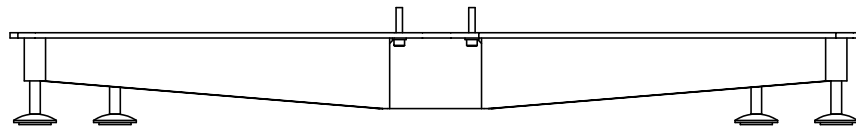
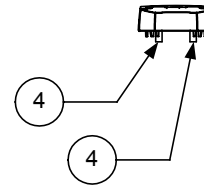


RevNr.	Revision note	Date	Sign
--------	---------------	------	------

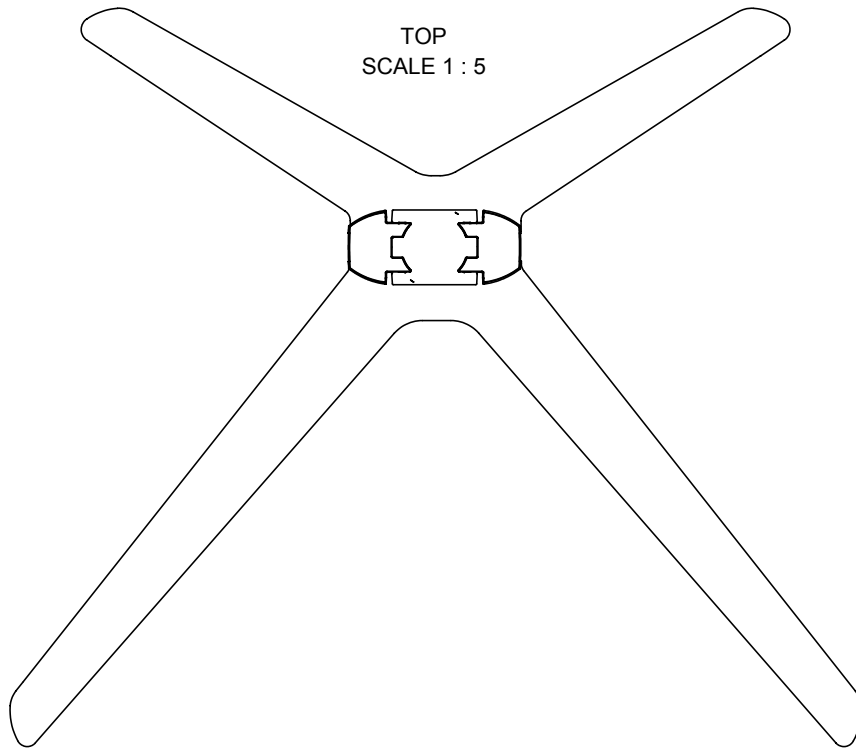
FRONT
SCALE 1 : 5



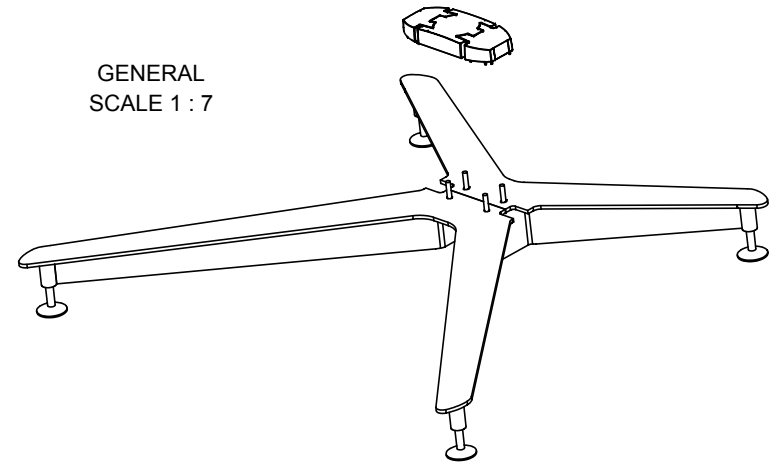
LEFT
SCALE 1 : 5



TOP
SCALE 1 : 5



GENERAL
SCALE 1 : 7



4	4	MRX-Z M6x16	Screw
3	1	05272C	Cover Inner
2	2	05271/1C	Cover
1	1	07172 Rev C	Floor Base Delux
Ite	Qt	Part Number	Description

	A3	General Tolerances acc to :			
	Scale:	ISO 2768-1 medium	Drawn	Checked	Dat.
SMS Smart Media Solutions AB		Title Floor Base Assembly Delux		Sheet 1	Rev.
				Doc.Nr 06244	