

**SNE SERIES
CABLE CHASE/TOP**

INSTALLATION (42SP/45SP SIZES)

1) The installation locations are circled here, four locations in the front and rear of the enclosure. **(FIGURE A)**

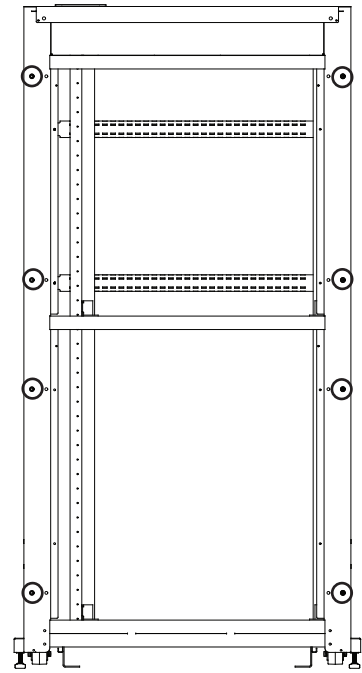


FIGURE A

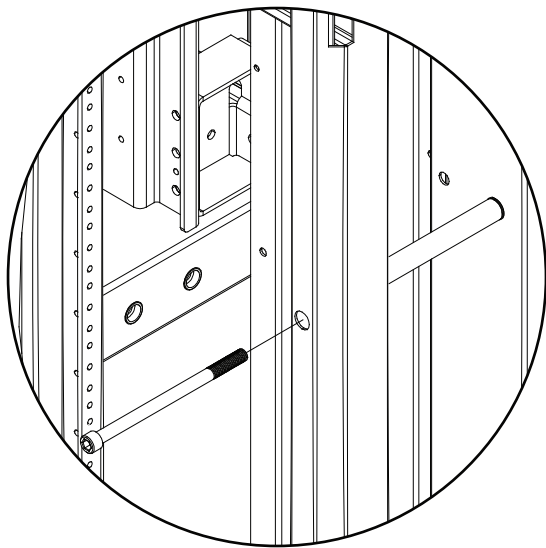


FIGURE B

2) Install spacers at the front and rear between racks using supplied bolts (four places each). **(FIGURE B)**

3) Install cable chase covers over the spacers. The top and bottom are different and marked accordingly. **(FIGURE C)**

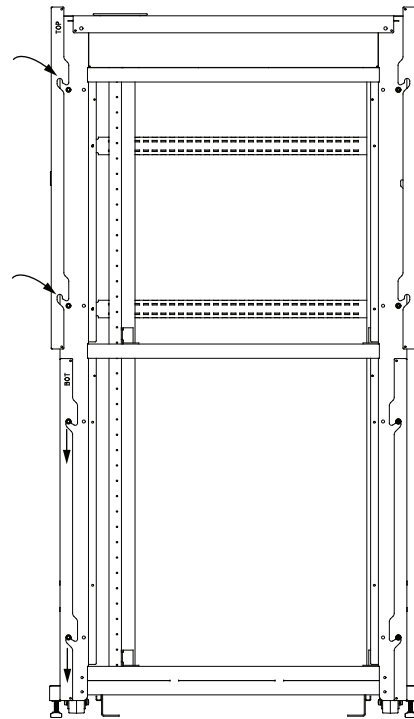
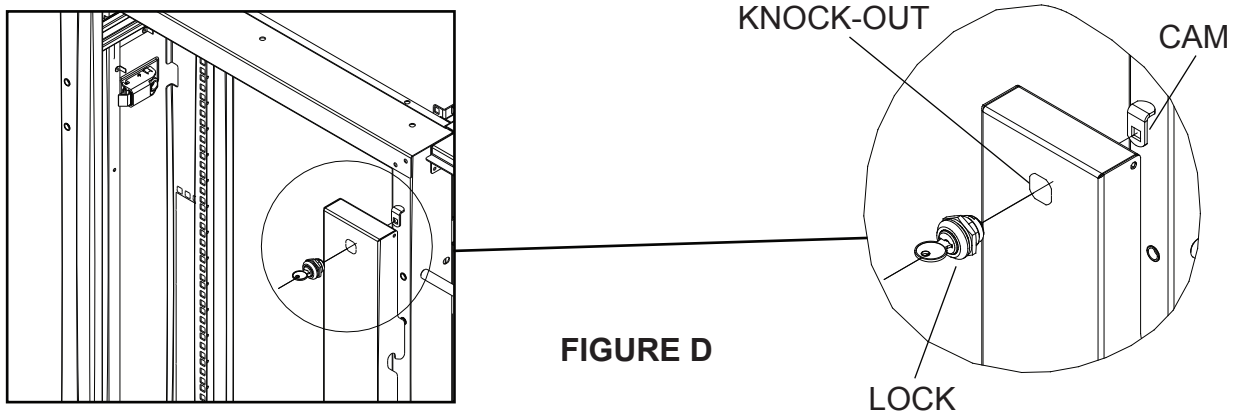


FIGURE C

(SNE-CC-XXTB) CABLE CHASE TOP INSTALLATION ON PAGE 2

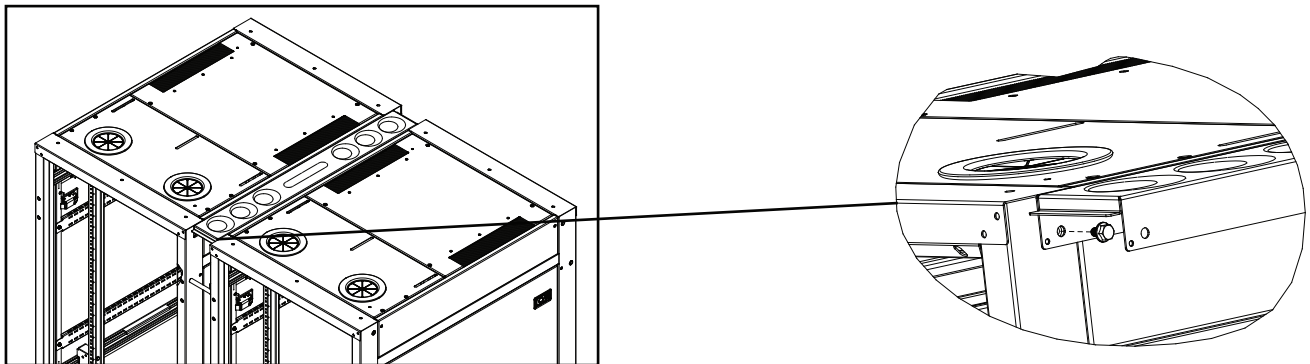
CABLE CHASE LOCK INSTALLATION

4) Remove knock-out at the top of the cable chase. Install lock and key on the outside of the cable chase, the cam on the inside of the cable chase. **(FIGURE D)**

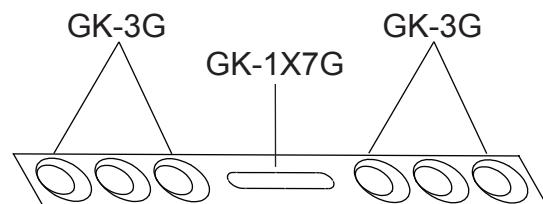


CABLE CHASE TOP INSTALLATION

1) Using a 1/2" wrench, install cable chase top using provided hardware (two locations per side).



NOTE: GK-3G and GK-1X7G can be used for grommeted entry in the knock-outs.



WARRANTY

Middle Atlantic Products, Inc. (the "Company") warrants the SNE Cable Chase/Top to be free from defects in material or workmanship under normal use and conditions for the lifetime of the product.

The Company's entire liability to the purchaser, and the purchaser's (or any other party's) sole and exclusive remedy, under this warranty shall be limited, at the Company's option, to either (a) return of and refund of the price paid for, or (b) repair or replacement at the Company's factory of the products purchased, or any part or parts thereof, which the Company has determined to be defective after inspection thereof at the Company's factory. This warranty does not cover damage due to acts of God, accident, misuse, abuse or negligence by parties other than the Company, or any modification or alteration of the products. In addition, this warranty does not cover damage due to improper handling, assembly, installation or maintenance.

THIS WARRANTY IS IN LIEU OF ALL OTHER WARRANTIES OF ANY KIND, EITHER EXPRESSED OR IMPLIED, INCLUDING, BUT NOT LIMITED TO, IMPLIED WARRANTIES OF MERCHANTABILITY AND FITNESS FOR A PARTICULAR PURPOSE.

TO THE MAXIMUM EXTENT PERMITTED BY APPLICABLE LAW, IN NO EVENT SHALL THE COMPANY BE LIABLE FOR ANY SPECIAL, INCIDENTAL, INDIRECT, OR CONSEQUENTIAL DAMAGES WHATSOEVER (INCLUDING, WITHOUT LIMITATION, DAMAGES FOR LOSS OF BUSINESS PROFITS, BUSINESS INTERRUPTION OR ANY OTHER PECUNIARY LOSS) ARISING OUT OF THE USE OF THE PRODUCTS PURCHASED, EVEN IF THE COMPANY HAS BEEN ADVISED OF THE POSSIBILITY OF SUCH DAMAGES. THE COMPANY'S LIABILITY TO THE PURCHASER (OR ANY OTHER PARTY) HEREUNDER, IF ANY, SHALL IN NO EVENT EXCEED THE PURCHASE PRICE OF THE PRODUCTS PAID TO THE COMPANY.

Corporate Headquarters

Corporate Voice 973-839-1011 - Fax 973-839-1976 / International Voice +1 973-839-8821 - Fax +1 973-839-4982
middleatlantic.com - info@middleatlantic.com

Middle Atlantic Canada

Voice 613-836-2501 - Fax 613-836-2690 / middleatlantic.ca - customerservicecanada@middleatlantic.ca

Factory Distribution

USA: NJ - CA - IL Canada: ON - BC

At Middle Atlantic Products we are always listening. Your comments are welcome.