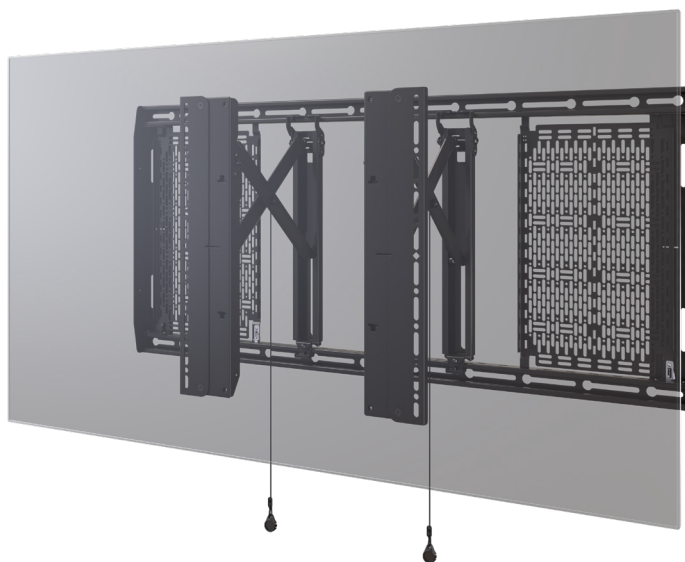


# TEMPO<sup>®</sup> FLAT PANEL WALL MOUNT SYSTEM

This all-in-one configurable wall mounting system is designed to improve efficiency by streamlining installation workflow. AV professionals can increase productivity and add money to the bottom line with this new system, especially for mass rollouts.

Install on any wall and neatly store AV devices with simple, unparalleled service access. Install 2-6 small devices behind the display on integrated Lever Lock™ storage panels. Tempo Wall Mount System is thoughtfully designed with feedback from installers for faster deployments.



## Accelerate AV Installations

- One part number, one box, one order!
- Ship to site pre-loaded with small devices and cabling.

## Save Money

- Reduce onsite installation personnel and time.
- Minimize last-minute shipping costs of missing parts.

## Feature Flexibility

- Wall plate and sliding interface design facilitates centering display in the right position.
- 10° of adjustable display tilt in 2.5° increments.

## Streamlined for Success

- Total installation depth facilitates ADA compliance\*
- Up to 1" (25 mm) post-install leveling adjustment.

\*When display depth is less than 2" (51 mm)

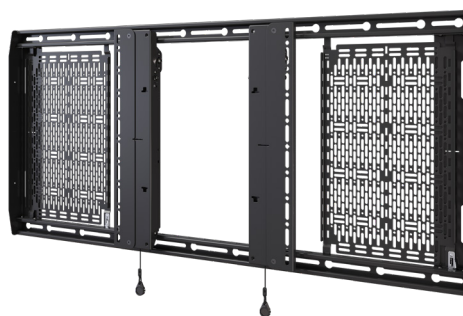
## Integrated Storage

- Ships with two 15"x10" Lever Lock™ plates with space to add more.
- Storage plates can be moved along the mounting rail for best placement of components.

## Simplify Service

- Approximately 13" (330 mm) of service access.
- Open wall plate for easy positioning of power and data sources and in-wall storage.

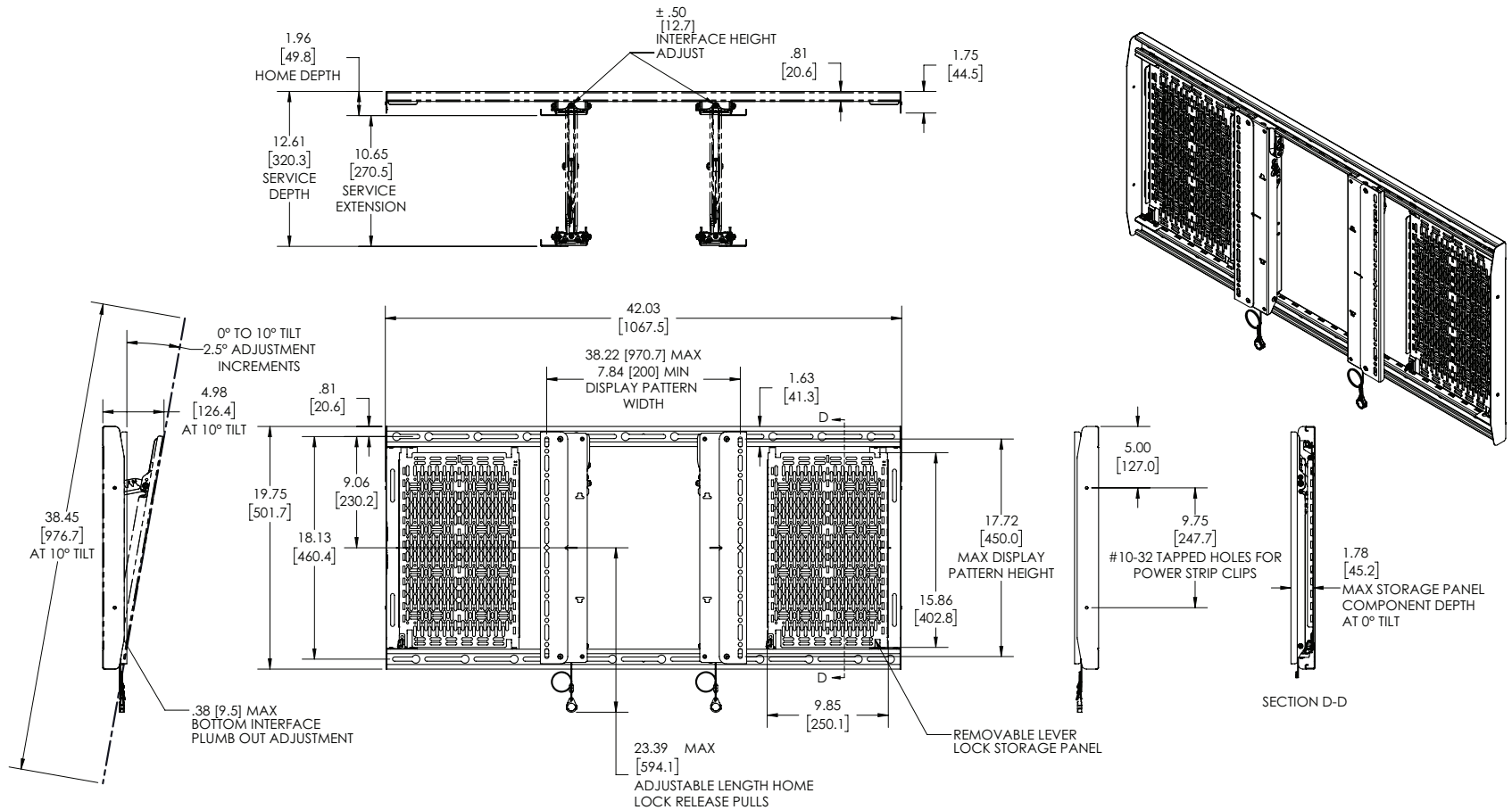
## SPECIFICATIONS:



Part Number	AS3LD
<b>Name</b>	Tempo™ Flat Panel Wall Mount System
<b>Power Distribution Unit</b>	None
<b>Typical Display Size</b>	49"-86"
<b>Display Weight Capacity</b>	Weight rating: 200 lbs (90.7 kg)
<b>Display Mounting Pattern</b>	Up to 970 x 450 mm
<b>Dimensions (W x H x D)</b>	42.03" x 19.75" x 1.96" (1068 x 502 x 50 mm)
<b>Wall Substrates</b>	Steel stud, wood stud, concrete, and block walls
<b>Post-Install Leveling</b>	1" (25 mm)
<b>Lateral Shift</b>	Yes
<b>Tilt</b>	-10°/+0°, 2.5° increments
<b>Plumb Adjust</b>	0.38" (10 mm)
<b>Storage Dimensions (W x H)</b>	Includes (2) 10" x 15" (250 x 402 mm) Lever Lock plates
<b>Storage Weight Capacity</b>	15 lbs (6.8 kg) per Lever Lock plate
<b>Service Extension</b>	10.65" (271 mm)
<b>Service Depth</b>	12.61" (320 mm)
<b>Color</b>	Black
<b>Certifications</b>	UL, TUV

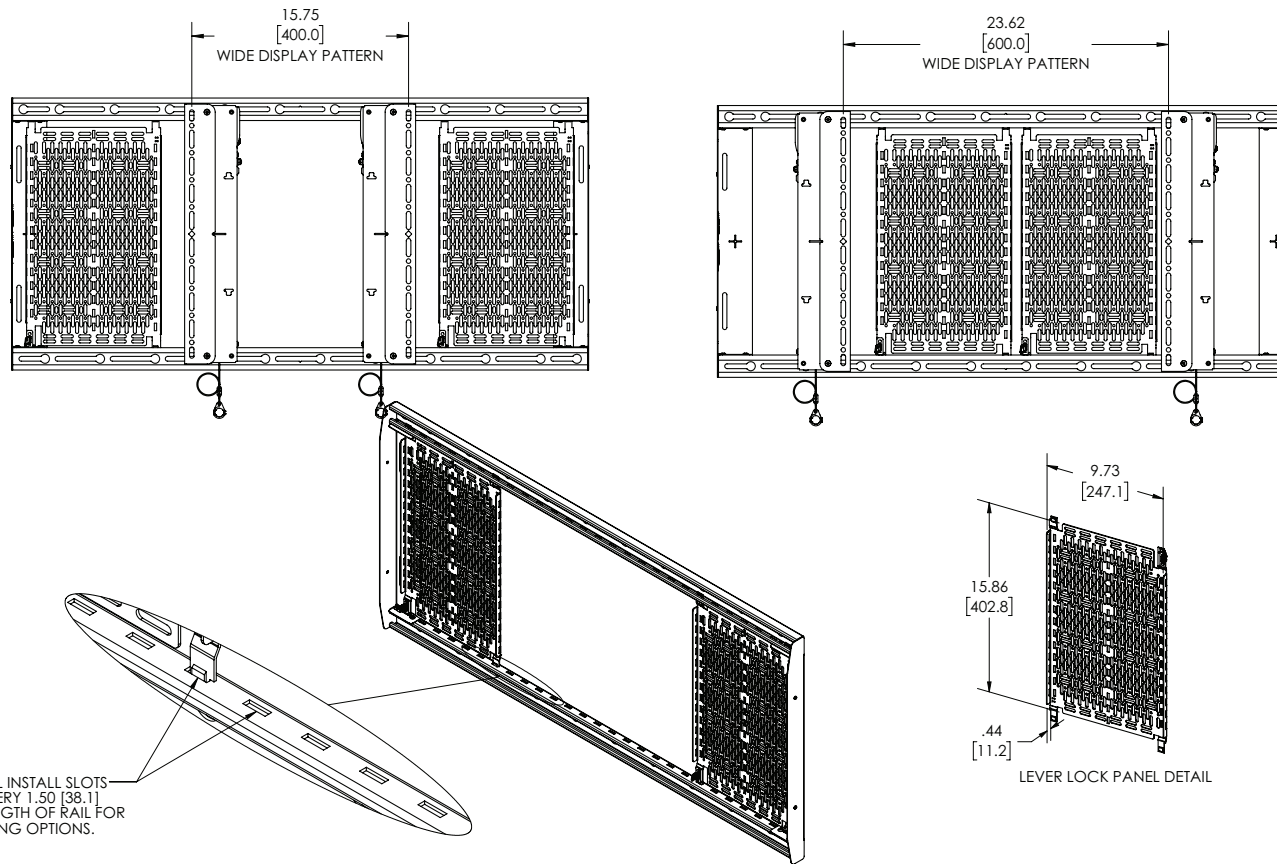
# TEMPO<sup>®</sup> FLAT PANEL WALL MOUNT SYSTEM

## AS3LD



# TEMPO<sup>®</sup> FLAT PANEL WALL MOUNT SYSTEM

## STORAGE DETAIL



DETAIL E  
SCALE 1 : 2

LEGRAND | AV COMMERCIAL BRANDS  
C2G | Chief | Da-Lite | Luxul | Middle Atlantic | Vaddio | Wiremold

INSTALLER INSPIRED | [legrandav.com](http://legrandav.com)

USA 866.977.3901 [av.chief.support@legrand.com](mailto:av.chief.support@legrand.com) CANADA 877.345.4329 [av.chief.canada@legrand.com](mailto:av.chief.canada@legrand.com)  
EMEA +31 495 580 840 [av.emea.sales@legrand.com](mailto:av.emea.sales@legrand.com) APAC +852 2145 4099 [av.asia.sales@legrand.com](mailto:av.asia.sales@legrand.com)